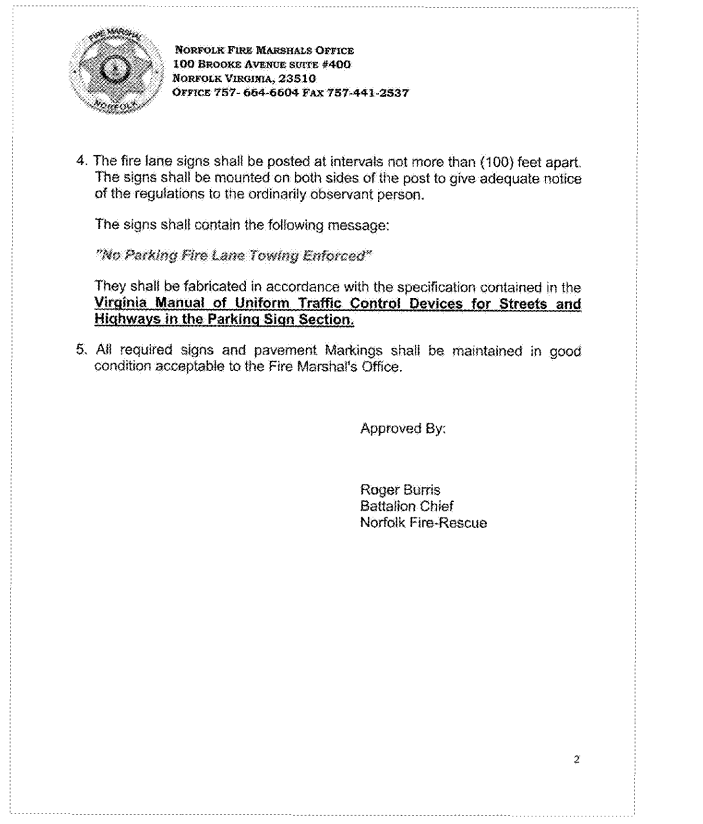
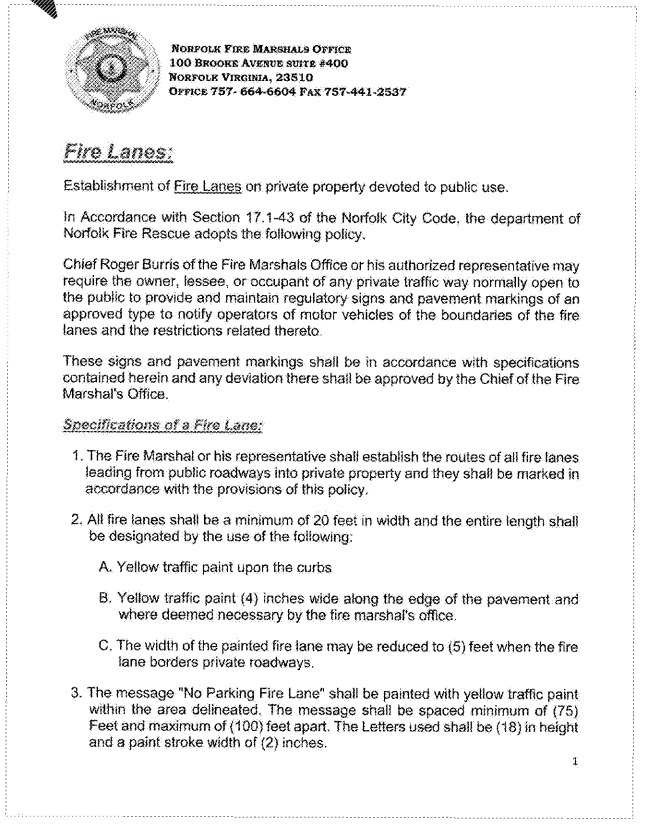
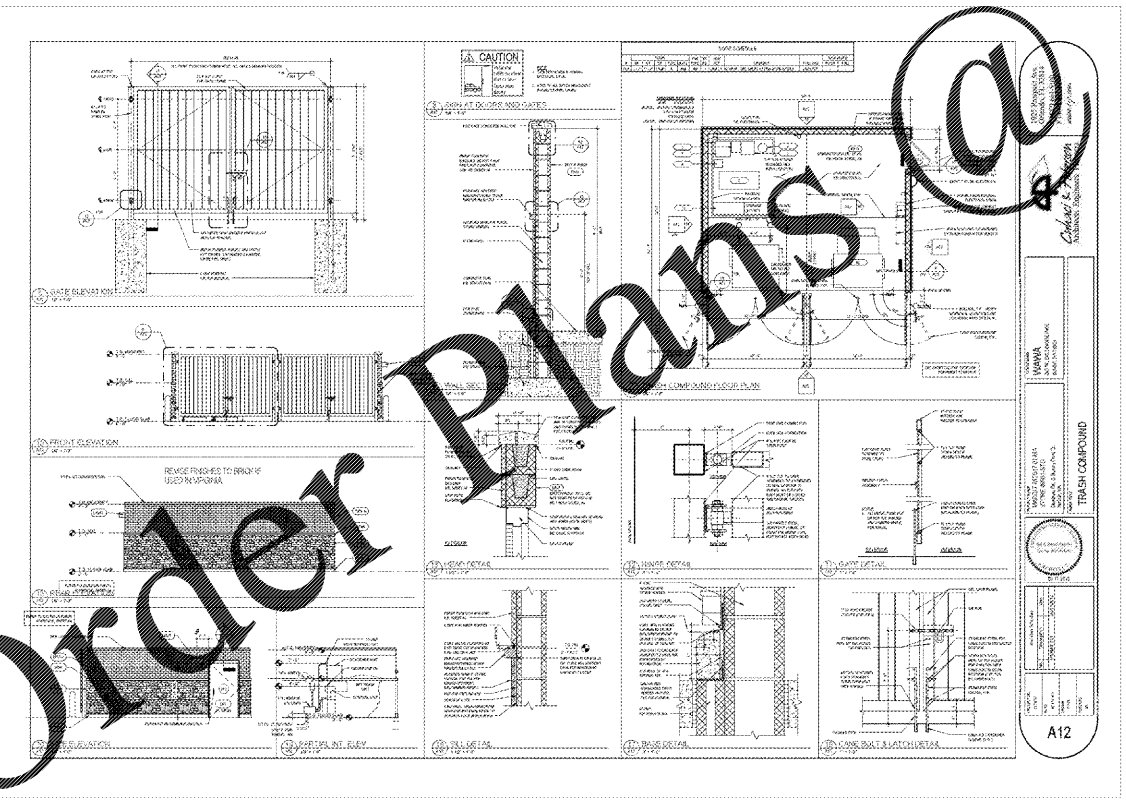
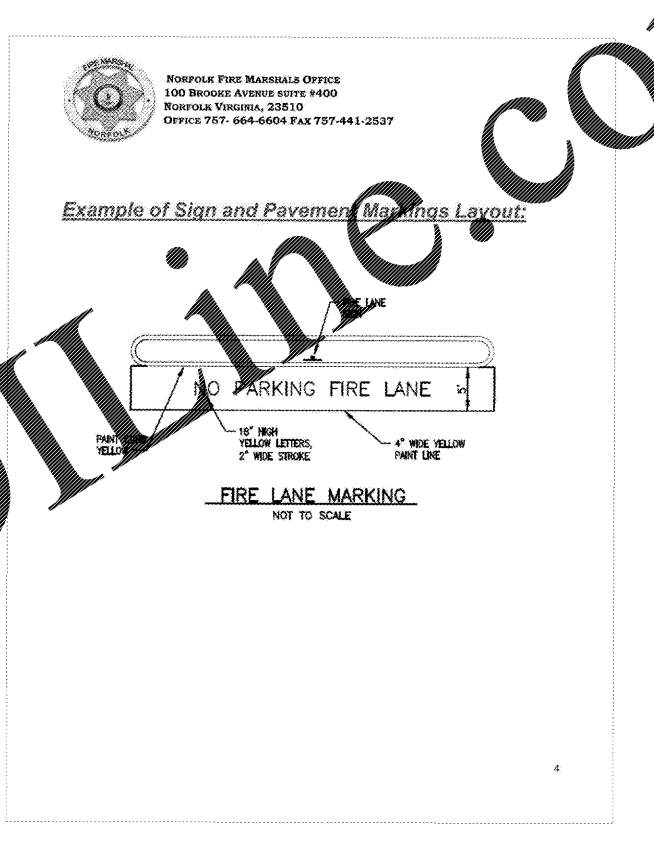
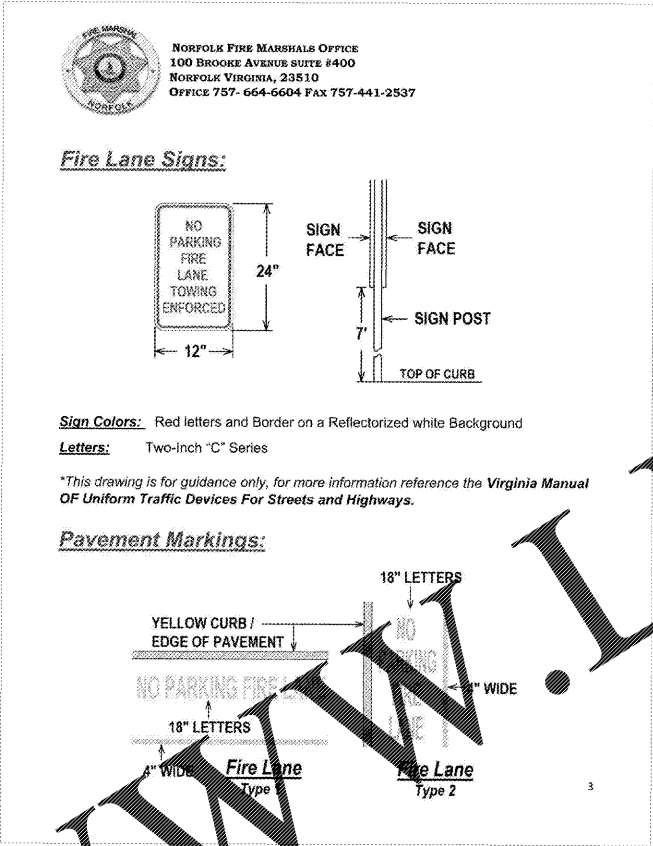
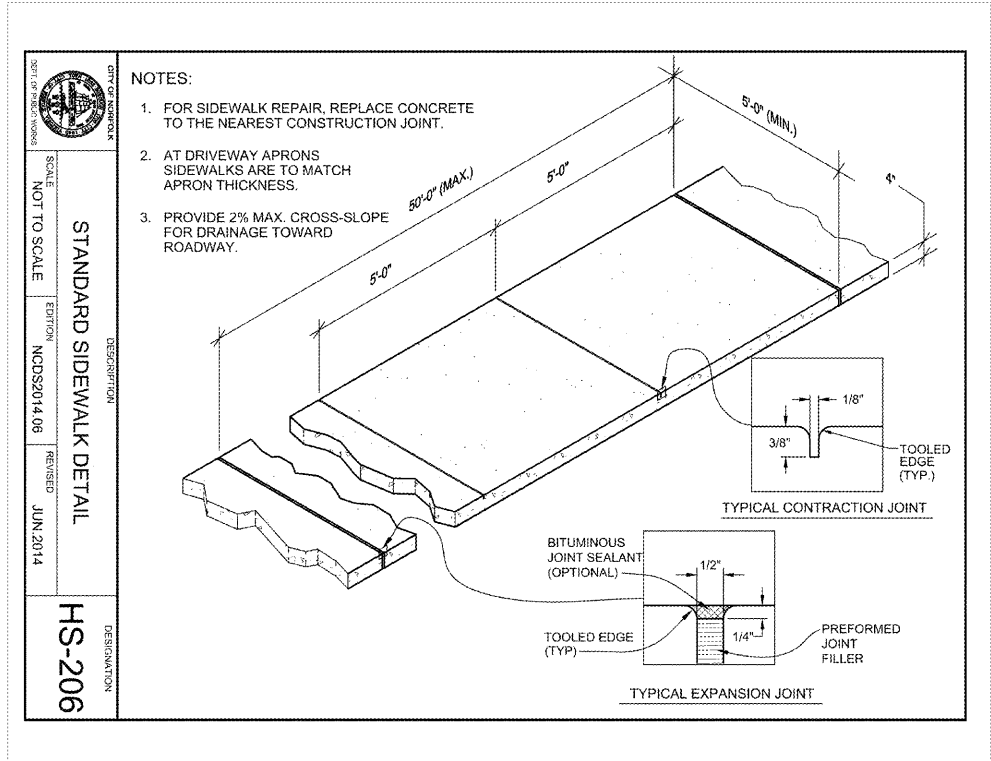


Prepared by: [Name], Licensed Professional Engineer, Virginia License No. [Number]. The information is provided for informational purposes only. It is not intended to be used for any other purpose. No responsibility is assumed for any errors or omissions. The user assumes full responsibility for the accuracy and completeness of the information provided.



KHA PROJECT 116607003	DATE 08/24/2018	SCALE AS SHOWN	DESIGNED BY LEW	DRAWN BY LEW	CHECKED BY JY	REVISIONS	BY
							DATE

Kimley»Horn
© 2018 KIMLEY-HORN AND ASSOCIATES, INC.
1700 WILLOW LAWN DR, SUITE 200, RICHMOND, VA 23230
PHONE: 804-673-3882
WWW.KIMLEY-HORN.COM

COMMONWEALTH OF VIRGINIA
J. RANDALL ROYAL
Lic. No. 14950
8/24/18
PROFESSIONAL ENGINEER

WAWA AT NEWTOWN AND STONEY POINT
PREPARED FOR WAWA

SITE DETAILS

CITY OF NORFOLK, VIRGINIA

SHEET NUMBER
CS-504

Order Plans

WWW.LDDIline.com