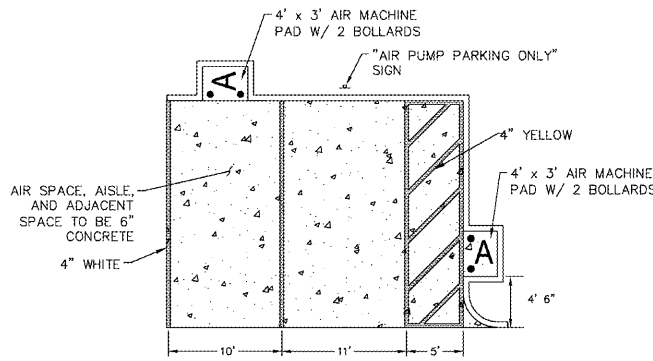
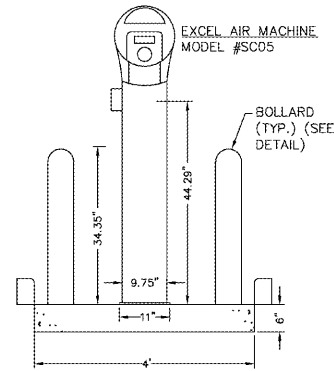


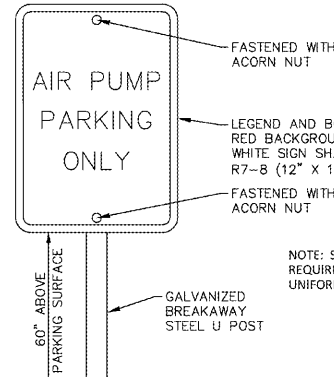
AIR PUMP SIDE ELEVATION
N.T.S.



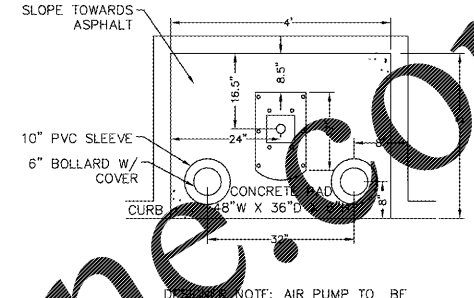
AIR PUMP PARKING DETAIL
N.T.S.



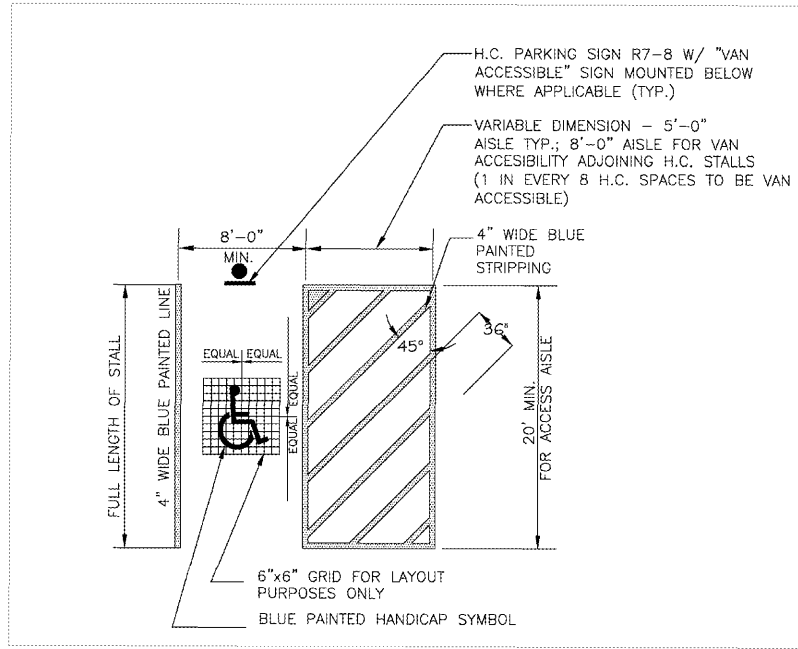
AIR PUMP FRONT ELEVATION
N.T.S.



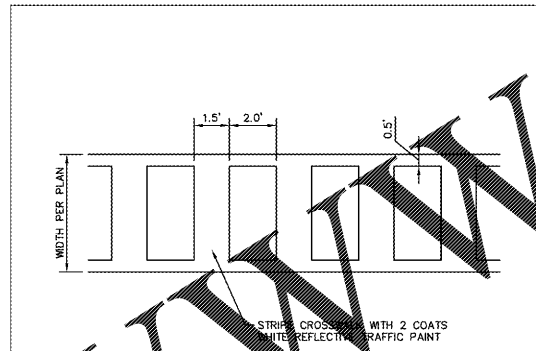
AIR PUMP PARKING SIGN DETAIL
N.T.S.



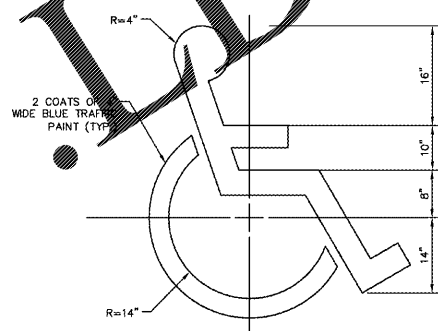
AIR PUMP PLAN VIEW DETAIL
N.T.S.



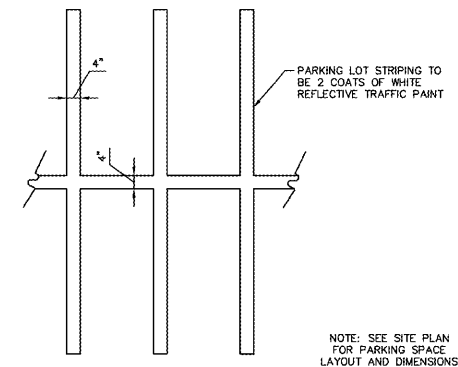
ADA PARKING SPACE STRIPING DETAIL
N.T.S.



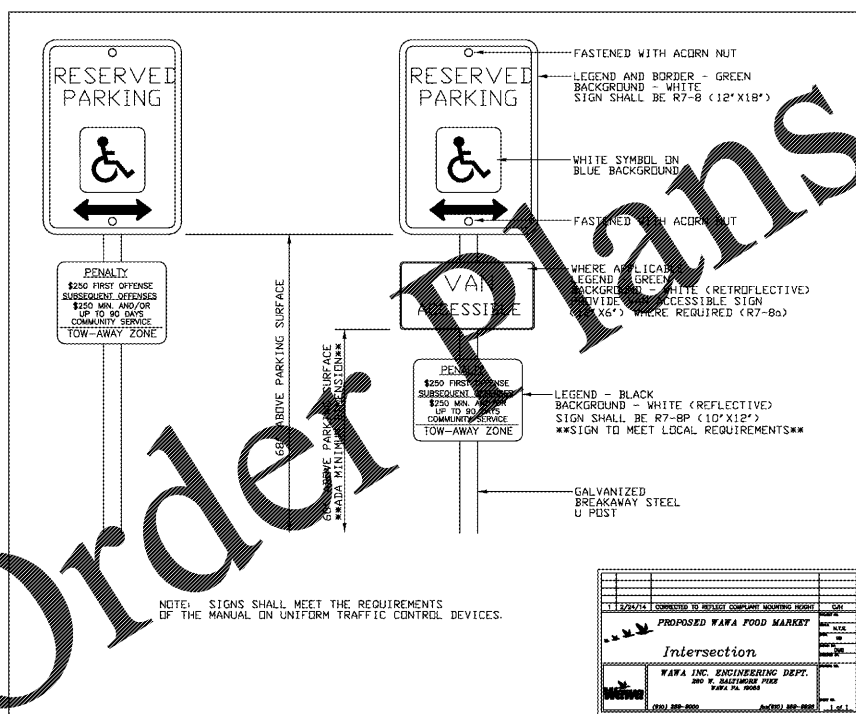
CROSSWALK STRIPING



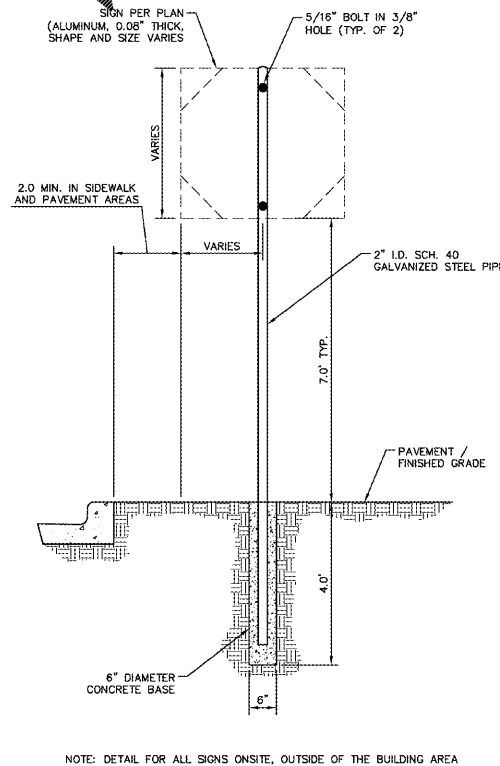
ADA PARKING SYMBOL



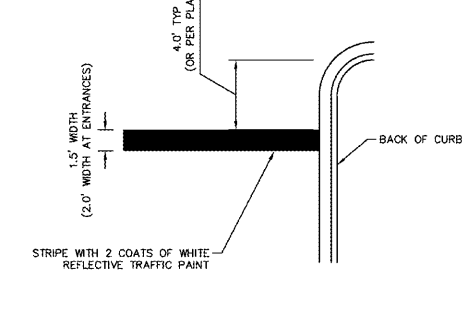
PARKING LOT STRIPING



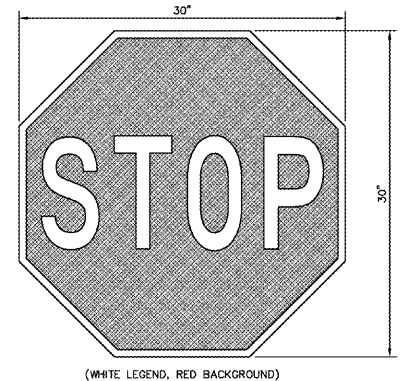
ADA PARKING SIGN DETAIL
N.T.S.



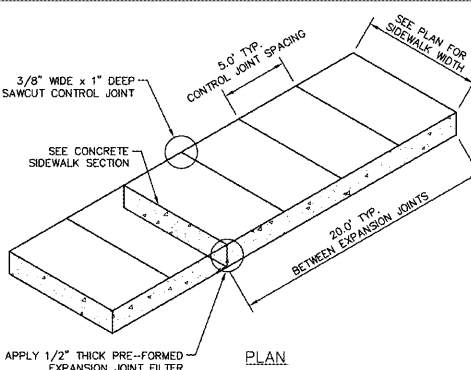
SIGN POST



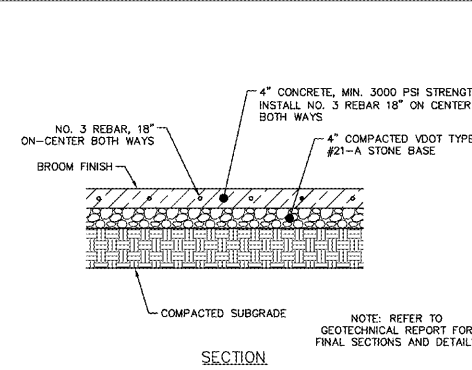
STOP BAR STRIPING



STOP SIGN (R1-1)

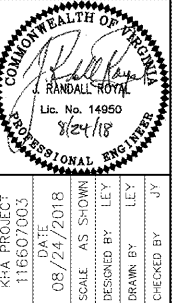


CONCRETE SIDEWALK



SECTION

Kimley»Horn
© 2018 KIMLEY-HORN AND ASSOCIATES, INC.
1700 WILLOW LAWN DR., SUITE 200, RICHMOND, VA 23230
PHONE: 804-673-3882
WWW.KIMLEY-HORN.COM



KHA PROJECT: 116607003
DATE: 08/24/2018
SCALE: AS SHOWN
DESIGNED BY: LEY
DRAWN BY: LEY
CHECKED BY: JY

SITE DETAILS

WAWA AT NEWTOWN
AND STONEY POINT
PREPARED FOR
WAWA

SHEET NUMBER
CS-501

Prepared By: [Name], Location: [Location], Date: [Date], Scale: [Scale], Legend: [Legend], Notes: [Notes], Revision: [Revision], Drawing: [Drawing], Project: [Project], Client: [Client], Designer: [Designer], Checker: [Checker], Approver: [Approver], Title: [Title], Company: [Company], Address: [Address], Phone: [Phone], Website: [Website], Email: [Email], Fax: [Fax], Copyright: [Copyright], All Rights Reserved.