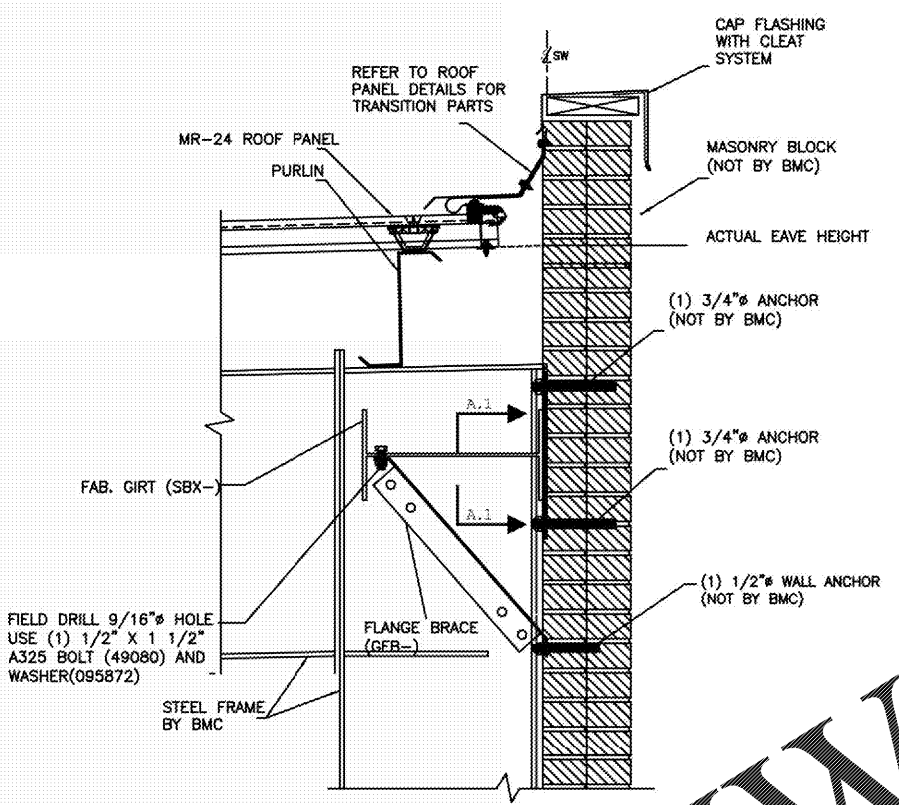
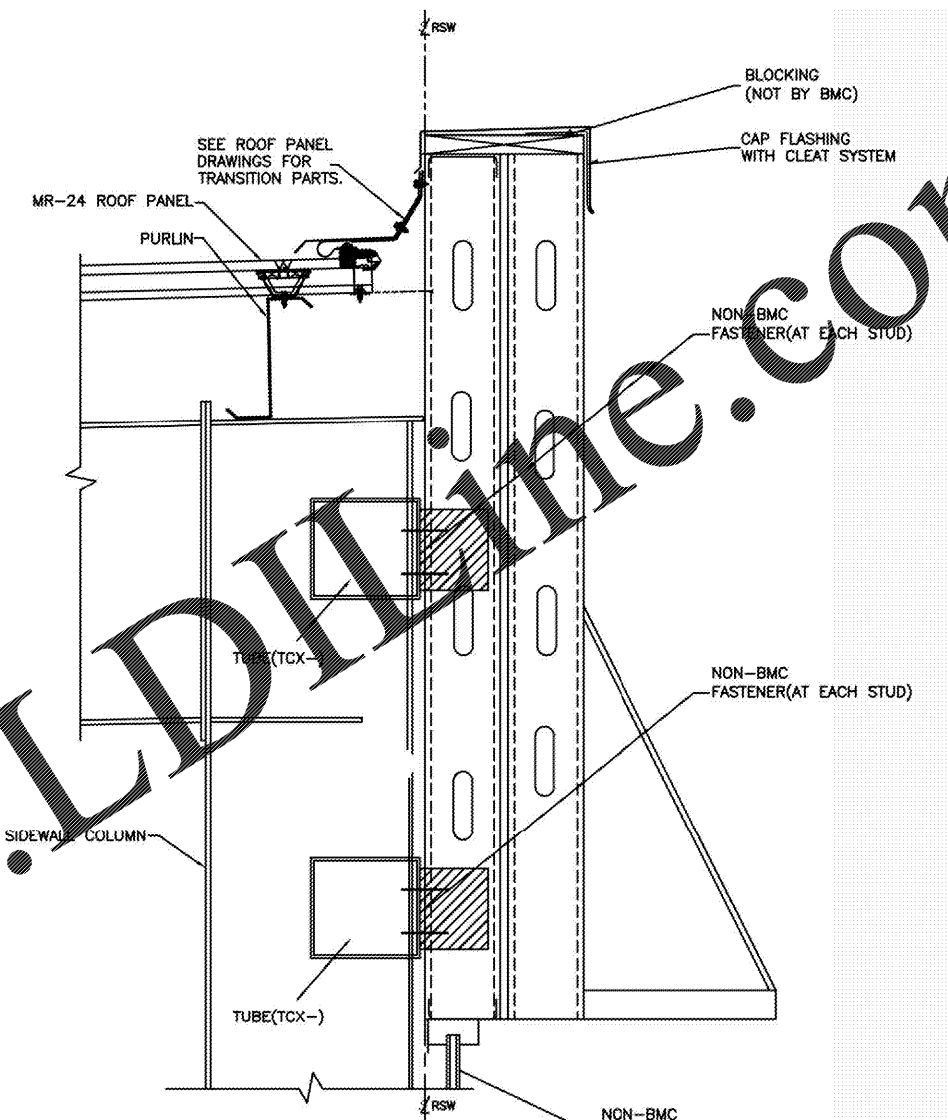


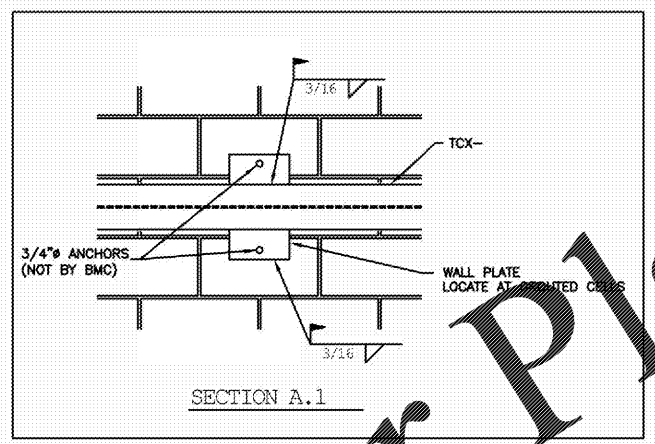
SECTION X.1



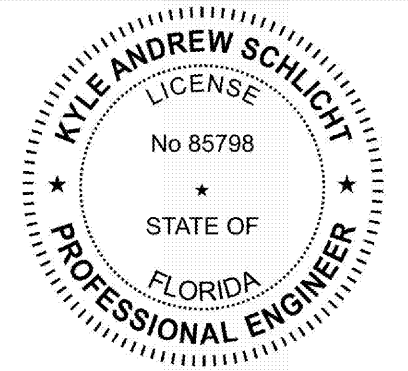
SECTION I



SECTION S



SECTION A.1



DRAWING PREPARED BY:
 BUTLER MANUFACTURING, A DIVISION OF
 BLUESCOPE BUILDINGS NORTH AMERICA
 1540 GENESSEE STREET
 KANSAS CITY, MO 64102
 FLORIDA CERTIFICATE OF AUTHORIZATION
 NUMBER 30427

KYLE ANDREW SCHLICHT
 1540 GENESSEE STREET
 KANSAS CITY, MO 64102
 FLORIDA, PE #85798

PERMIT SET- For Building Dept. Approval

1. UNLESS NOTED, USE 1/2" X 1/2" A325 BOLT (49080) AND NUT (47120) W/O WASHERS. SPLIT WASHERS SHALL BE USED ON ALL SECONDARY CONNECTIONS.
 2. FLANGE BRACES ARE AN INTEGRAL PART OF THE STABILITY OF THE STRUCTURAL SYSTEM AND MUST BE PROPERLY INSTALLED PRIOR TO ERECTION OF WALL AND ROOF SHEETS.
 3. REMOVAL OR ALTERATION OF ANY COMPONENT IS PROHIBITED.

THE BUTLER MFG. ENGINEER'S SEAL APPLIES ONLY TO THE WORK PRODUCT OF BUTLER MFG. AND DESIGN AND PERFORMANCE REQUIREMENTS SPECIFIED BY BUTLER. THE BUTLER MFG. ENGINEER'S SEAL DOES NOT APPLY TO THE PERFORMANCE OR DESIGN OF ANY OTHER PRODUCT OR COMPONENT FURNISHED BY BUTLER EXCEPT TO ANY DESIGN OR PERFORMANCE REQUIREMENTS SPECIFIED BY BUTLER.

THIS DRAWING, INCLUDING THE INFORMATION HEREON, REMAINS THE PROPERTY OF BUTLER MFG. IT IS PROVIDED SOLELY FOR ERECTING THE BUILDING DESCRIBED IN THE APPLICABLE PURCHASE ORDER AND MAY BE REPRODUCED ONLY FOR THAT PURPOSE. IT SHALL NOT BE MODIFIED, REPRODUCED OR USED FOR ANY OTHER PURPOSE WITHOUT PRIOR WRITTEN APPROVAL OF BUTLER MFG.
 THE GENERAL CONTRACTOR AND/OR ERECTOR IS SOLELY RESPONSIBLE FOR ACCURATE GOOD QUALITY WORKMANSHIP IN ERECTING THIS BUILDING IN ACCORDANCE WITH THIS DRAWING, DETAILS REFERENCED IN THIS DRAWING, ALL APPLICABLE BUTLER MFG. ERECTION GUIDES, AND INDUSTRY STANDARDS PERTAINING TO PROPER ERECTION, INCLUDING THE CORRECT USE OF TEMPORARY BRACING.

B	BUTLER MANUFACTURING		1540 GENESSEE ST. KANSAS CITY, MO 64102	
	REV.	DATE	BY	DESCRIPTION
DRAWING SCALE: NTS				

WALL SECONDARY SED'S			JOB #: 18-047559-01
BUILDER	O'Reilly Automotive Stores, Inc.		
CUSTOMER	O'Reilly Automotive Stores, Inc.	DRAWN BY:	JS
LOCATION	Panama City, Florida	CHECKED BY:	SW
PROJECT	Panama City, FL (PM1)	PAGE	18
BUILDER'S PO#	PM1	VPC VERSION: 2018.1b	