

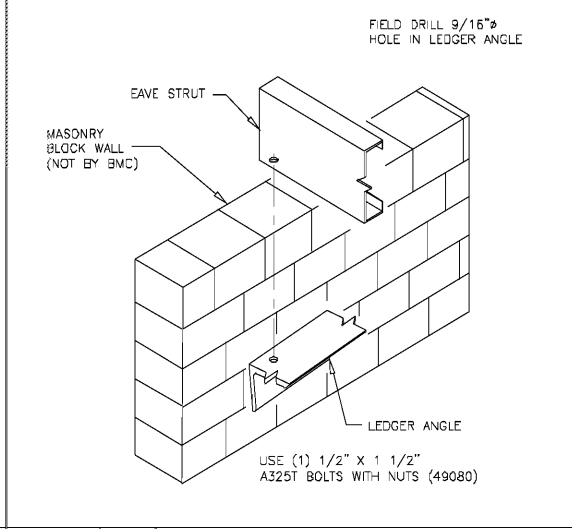
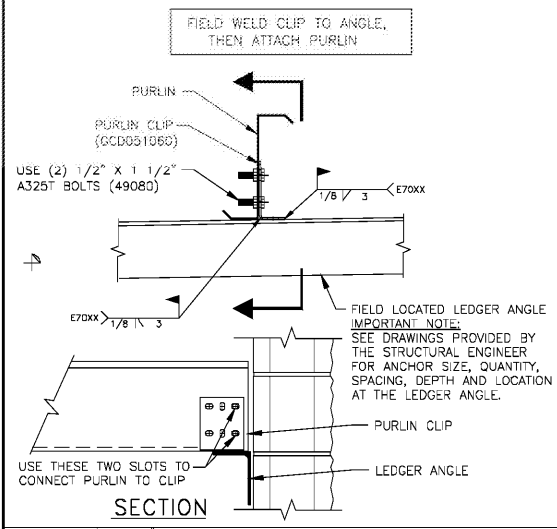
REV. DATE: 07/24/17 REV. NO. 01  
BRO6K3 ROOF/WALL FLANGE BRACING PURLIN/CLIP WITH INSULATION VAPOR RETARDER

REV. DATE: 07/01/09 REV. NO. 00  
EN51B1 SECONDARY PART MARK NUMBER COMMON GENERATED MARK NUMBERS

REV. DATE: 07/01/09 REV. NO. 00  
EN51B2 SPECIAL SECONDARY PART MARK KEY COMMON GENERATED MARK NUMBERS

REV. DATE: 07/21/13 REV. NO. 01  
EN51B3 SECONDARY BUNDLE LOCATION KEY ALL SECONDARY DEPTHS

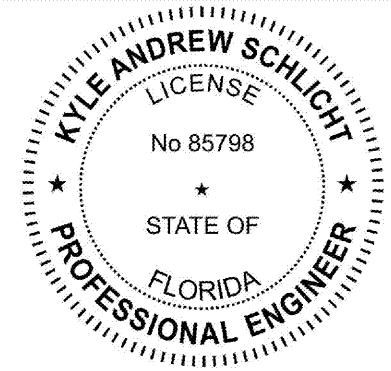
REV. DATE: 6/28/18 REV. NO. 01  
H02 LEDGER ANGLE SPLICE



REV. DATE: 03/26/13 REV. NO. 01  
RF030 PURLIN CONNECTION TO LEDGER ANGLE AT LOAD-BEARING MASONRY WALL

REV. DATE: 01/31/12 REV. NO. 00  
RF031 EAVE STRUT TO LEDGER ANGLE AT LOAD-BEARING MASONRY WALL

WWW.LDILine.com



01/03/2019

DRAWING PREPARED BY:  
BUTLER MANUFACTURING, A DIVISION OF  
BLUESCOPE BUILDINGS NORTH AMERICA  
1540 GENESSEE STREET  
KANSAS CITY, MO 64102  
FLORIDA CERTIFICATE OF AUTHORIZATION  
NUMBER 30427

KYLE ANDREW SCHLICHT  
1540 GENESSEE STREET  
KANSAS CITY, MO 64102  
FLORIDA, PE #85798

PERMIT SET- For Building Dept. Approval

1. UNLESS NOTED, USE 1/2" x 1 1/2" A325T BOLT (49080) AND NUT (47120) W/O WASHERS. SNIP EIGHTH IN BOLTS AT ALL SECONDARY CONNECTIONS.  
2. FLANGE BRACES ARE AN INTEGRAL PART OF THE STABILITY OF THE STRUCTURAL SYSTEM AND MUST BE PROPERLY INSTALLED PRIOR TO ERECTION OF WALL AND ROOF SHEETS.  
3. REMOVAL OR ALTERATION OF ANY COMPONENT IS PROHIBITED.

THE BUTLER MFG. ENGINEER'S SEAL APPLIES ONLY TO THE WORK PRODUCT OF BUTLER MFG. AND DESIGN AND PERFORMANCE REQUIREMENTS SPECIFIED BY BUTLER. THE BUTLER MFG. ENGINEER'S SEAL DOES NOT APPLY TO THE PERFORMANCE OR DESIGN OF ANY OTHER PRODUCT OR COMPONENT FURNISHED BY BUTLER EXCEPT TO ANY DESIGN OR PERFORMANCE REQUIREMENTS SPECIFIED BY BUTLER.

THIS DRAWING, INCLUDING THE INFORMATION HEREON, REMAINS THE PROPERTY OF BUTLER MFG. IT IS PROVIDED SOLELY FOR ERECTING THE BUILDING DESCRIBED IN THE APPLICABLE PURCHASE ORDER AND MAY BE REPRODUCED ONLY FOR THAT PURPOSE. IT SHALL NOT BE MODIFIED, REPRODUCED OR USED FOR ANY OTHER PURPOSE WITHOUT PRIOR WRITTEN APPROVAL OF BUTLER MFG.  
THE GENERAL CONTRACTOR AND/OR ERECTOR IS SOLELY RESPONSIBLE FOR ACCURATE GOOD QUALITY WORKMANSHIP IN ERECTING THIS BUILDING IN ACCORDANCE WITH THIS DRAWING, DETAILS REFERENCED IN THIS DRAWING, ALL APPLICABLE BUTLER MFG. ERECTION GUIDES, AND INDUSTRY STANDARDS PERTAINING TO PROPER ERECTION, INCLUDING THE CORRECT USE OF TEMPORARY BRACING.

REV.	DATE:	BY:	DESCRIPTION:

DRAWING SCALE: NTS

BUTLER MANUFACTURING 1540 GENESSEE ST. KANSAS CITY, MO 64102		WALL SECONDARY SED'S	
BUILDER:	O'Reilly Automotive Stores, Inc.	JOB #:	18-047559-01
CUSTOMER:	O'Reilly Automotive Stores, Inc.	DATE:	12/25/2018
LOCATION:	Panama City, Florida	DRAWING CHECK:	JS / SW
PROJECT:	Panama City, FL (PM1)	PAGE:	17
BUILDER'S PO#:	PM1	Butler Manufacturing VPC VERSION: 2018.1b	