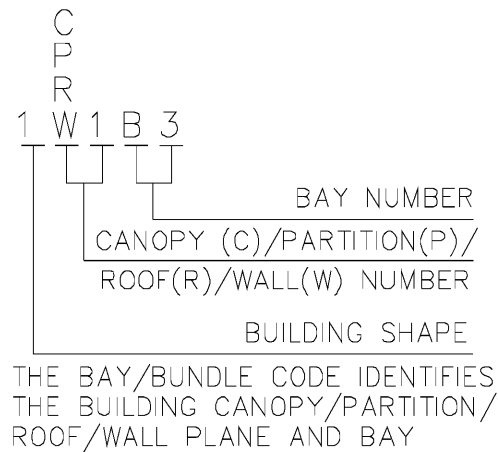
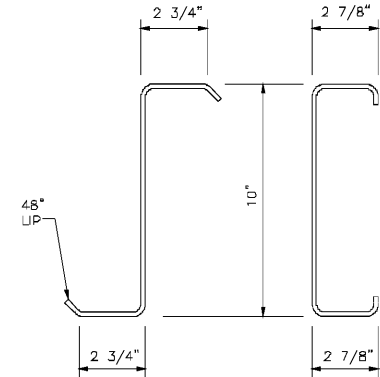


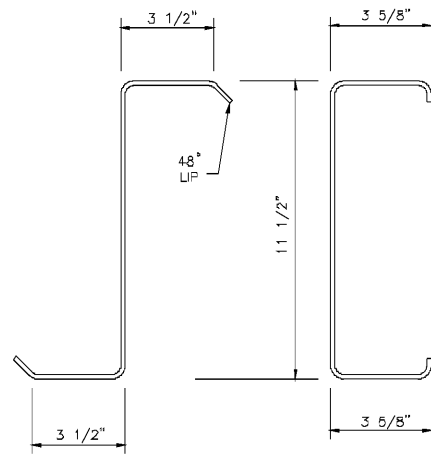
ERECTION DRAWING PART MARK



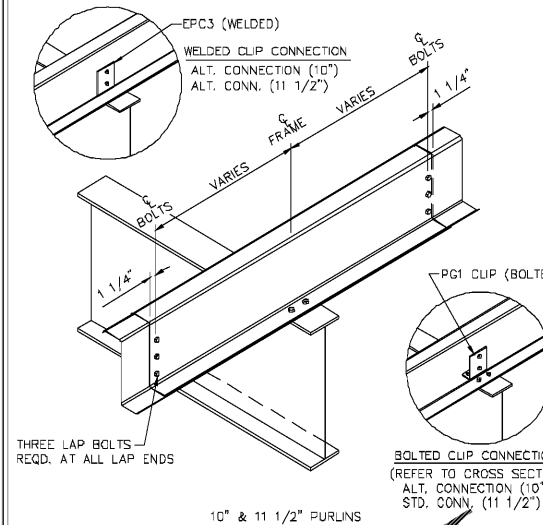
REV. DATE: 01/21/13 REV. NO. 01 EN51B3 SECONDARY BUNDLE LOCATION KEY ALL SECONDARY DEPTHS



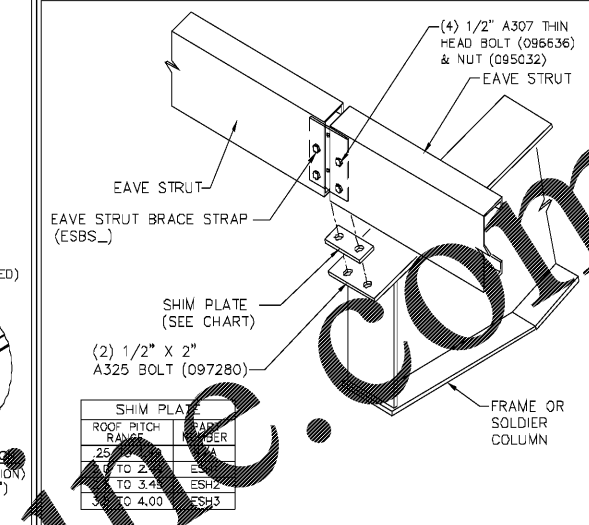
REV. DATE: 01/01/08 REV. NO. 02 EN53G1 PURLIN AND GIRTS SIZES 10" 254mm



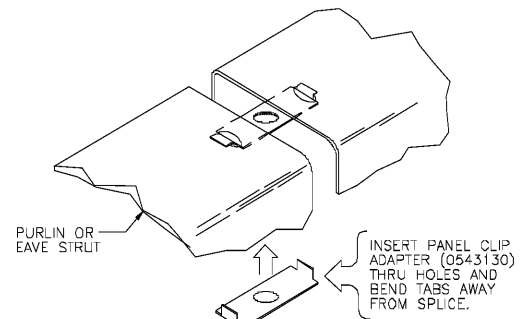
REV. DATE: 07/01/08 REV. NO. 02 EN53H1 PURLIN / GIRTS 11 1/2" 292mm



REV. DATE: 06/17/14 REV. NO. 02 RS01U1 PURLINS AT INTERIOR FRAME CONTINUOUS PURLINS

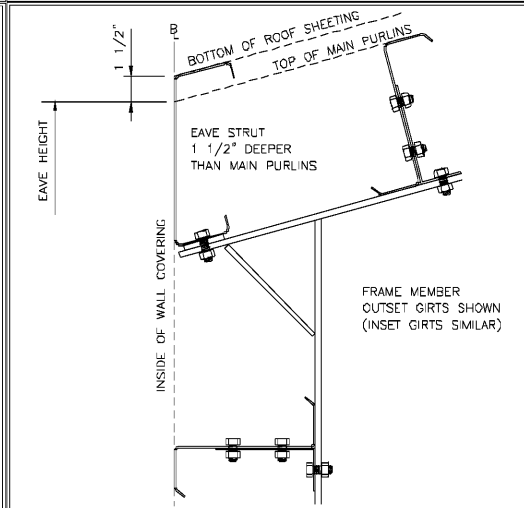


REV. DATE: 07/20/10 REV. NO. 03 S12P1 EAVE STRUT CONNECTION AT INTERIOR FRAME



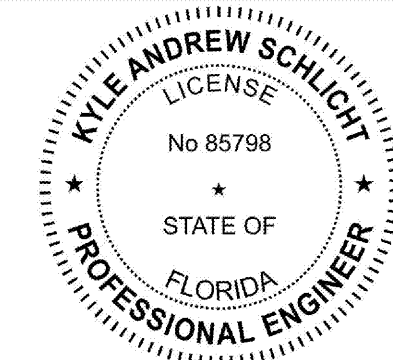
PANEL CLIP ADAPTER
USE A PANEL CLIP ADAPTER AT THE ENDS OF PURLINS OR EAVE STRUTS WHERE A PANEL CLIP OR PANEL EAVE ATTACHMENT MUST BE MADE.

REV. DATE: 12/05/08 REV. NO. 01 RS12PJ PANEL CLIP AT EAVE STRUT LOCATED WHERE STRUT STOPS BUT CONNECTION REQUIRED



REV. DATE: 07/01/08 REV. NO. 02 EN60B1 EAVE HEIGHT WITH INSULATED ROOF PANEL PURLIN / GIRTS

WWW.LDILLINE.COM



DRAWING PREPARED BY:
BUTLER MANUFACTURING, A DIVISION OF
BLUESCOPE BUILDINGS NORTH AMERICA
1540 GENESSEE STREET
KANSAS CITY, MO 64102
FLORIDA CERTIFICATE OF AUTHORIZATION
NUMBER 30427

KYLE ANDREW SCHLICHT
1540 GENESSEE STREET
KANSAS CITY, MO 64102
FLORIDA, PE #85798

PERMIT SET- For Building Dept. Approval

1. UNLESS NOTED, USE 1/2" X 1/2" A325 BOLT (097280) AND NUT (47120) W/O WASHERS. SNIP TIGHTEN BOLTS AT ALL SECONDARY CONNECTIONS.
2. FLANGE BRACES ARE AN INTEGRAL PART OF THE STABILITY OF THE STRUCTURAL SYSTEM AND MUST BE PROPERLY INSTALLED PRIOR TO ERECTION OF WALL AND ROOF SHEETS.
3. REMOVAL OR ALTERATION OF ANY COMPONENT IS PROHIBITED.

THE BUTLER MFG. ENGINEER'S SEAL APPLIES ONLY TO THE WORK PRODUCT OF BUTLER MFG. AND DESIGN AND PERFORMANCE REQUIREMENTS SPECIFIED BY BUTLER. THE BUTLER MFG. ENGINEER'S SEAL DOES NOT APPLY TO THE PERFORMANCE OR DESIGN OF ANY OTHER PRODUCT OR COMPONENT FURNISHED BY BUTLER EXCEPT TO ANY DESIGN OR PERFORMANCE REQUIREMENTS SPECIFIED BY BUTLER.

THIS DRAWING, INCLUDING THE INFORMATION HEREON, REMAINS THE PROPERTY OF BUTLER MFG. IT IS PROVIDED SOLELY FOR ERECTING THE BUILDING DESCRIBED IN THE APPLICABLE PURCHASE ORDER AND MAY BE REPRODUCED ONLY FOR THAT PURPOSE. IT SHALL NOT BE MODIFIED, REPRODUCED OR USED FOR ANY OTHER PURPOSE WITHOUT PRIOR WRITTEN APPROVAL OF BUTLER MFG.
THE GENERAL CONTRACTOR AND/OR ERECTOR IS SOLELY RESPONSIBLE FOR ACCURATE GOOD QUALITY WORKMANSHIP IN ERECTING THIS BUILDING IN ACCORDANCE WITH THIS DRAWING, DETAILS REFERENCED IN THIS DRAWING, ALL APPLICABLE BUTLER MFG. ERECTION GUIDES, AND INDUSTRY STANDARDS PERTAINING TO PROPER ERECTION, INCLUDING THE CORRECT USE OF TEMPORARY BRACING.

B		BUTLER MANUFACTURING 1540 GENESSEE ST. KANSAS CITY, MO 64102	
REV.	DATE:	BY:	DESCRIPTION:
DRAWING SCALE: NTS			

ROOF SECONDARY SED'S		JOB # 18-047559-01	
BUILDER:	O'Reilly Automotive Stores, Inc.	DATE:	12/25/2018
CUSTOMER:	O'Reilly Automotive Stores, Inc.	DRAWING CHECK:	JS / SW
LOCATION:	Panama City, Florida	PAGE:	12
PROJECT:	Panama City, FL (PM1)	Butler Manufacturing WPC VERSION 2018.1b	
BUILDER'S PO#:	PM1	3 division of BlueScope Buildings North America, Inc.	