

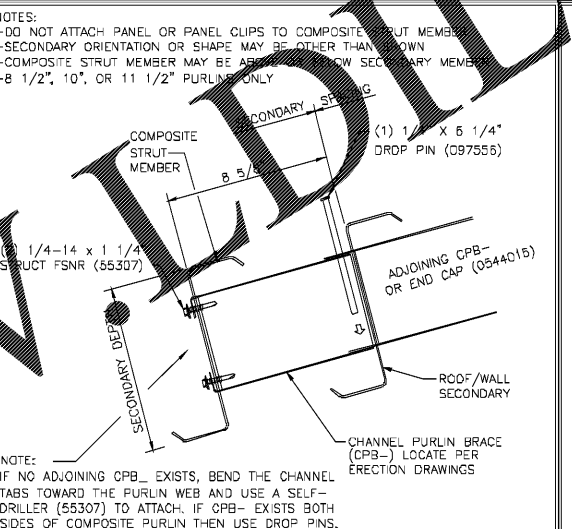
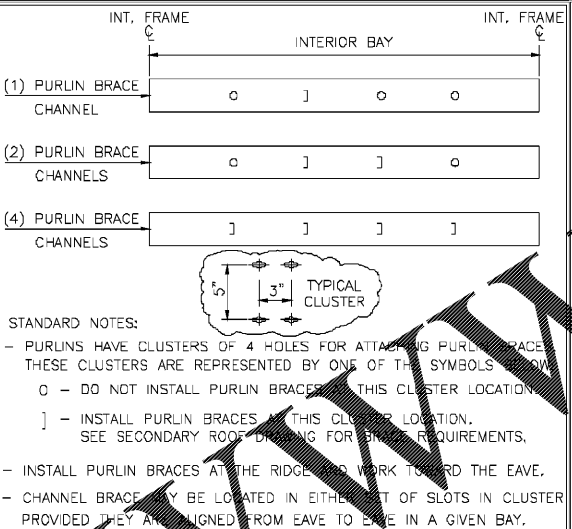
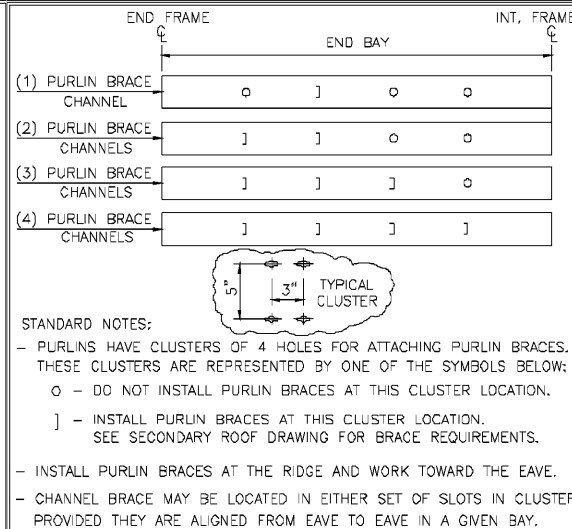
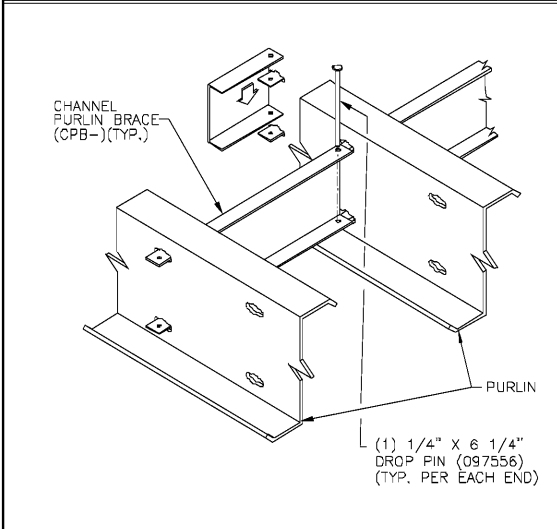
REV. DATE: 04/01/11 REV. NO. 01 CHANNEL BRACE ENDING AT PURLIN WEB SELF-DRILLER WITH BENT TABS BR09JG

REV. DATE: 01/01/09 REV. NO. 00 SINGLE CHANNEL PURLIN BRACE ENDING AT PURLIN WEB LOCATION BR09JH

REV. DATE: 04/01/11 REV. NO. 01 CHANNEL BRACE ENDING AT PURLIN WEB WEB ENDING CLIP WITH DROP PIN BR09JR

REV. DATE: 07/22/15 REV. NO. 08 EAVE BRACE STRAP AND EAVE PURLIN BRACE LOCATED AT EAVE - CENTERLINE OF FRAME BR09K2

REV. DATE: 07/24/15 REV. NO. 04 EAVE STRUT BRACE BR09K3



ADJUST. CODES

GAGE

EIGHTHS INCHES LENGTH FEET (millimeters)

SHAPE

DEPTH

DEPTH	SHAPE	GAGE
07 = 7"	Z = ZEE	11 = 0.113
08 = 8 1/2"	C = CEE	12 = 0.098
10 = 10"	E = LOW EAVE STRUT	13 = 0.088
	H = HIGH EAVE STRUT	14 = 0.079
		15 = 0.073
		16 = 0.068
		17 = 0.060

REV. DATE: 01/01/09 REV. NO. 00 SINGLE CHANNEL PURLIN BRACE INTERMEDIATE LOCATION BR09PH

REV. DATE: 07/01/09 REV. NO. 00 PURLIN BRACE CLUSTER LOCATION END BAY CHANNEL LOCATION BR09RY

REV. DATE: 07/01/09 REV. NO. 00 PURLIN BRACE CLUSTER LOCATION INTERIOR BAY CHANNEL LOCATION BR09RZ

REV. DATE: 07/01/09 REV. NO. 00 COMPOSITE STRUT ASSEMBLY ATTACH. ROOF SECONDARY BR18E2

REV. DATE: 07/01/09 REV. NO. 00 SECONDARY PART MARK NUMBER COMMON GENERATED MARK NUMBERS EN51B1

ADJUST. CODES

GAGE

EIGHTHS INCHES LENGTH FEET (millimeters)

SHAPE

DEPTH

COUNTER

DEPTH	SHAPE	GAGE
07 = 7"	ZS = ZEE	11 = 0.113
08 = 8 1/2"	CS = CEE	12 = 0.098
10 = 10"	ES = LOW EAVE STRUT	13 = 0.088
	HS = HIGH EAVE STRUT	14 = 0.079
	BB = BACK TO BACK CEE	15 = 0.073
	FB = FACE TO BACK CEE	16 = 0.068
	FF = FACE TO FACE CEE	17 = 0.060

REV. DATE: 01/01/09 REV. NO. 00 SPECIAL SECONDARY PART MARK NUMBER COMMON GENERATED MARK NUMBERS EN51B2

WWW.DIAGNOSTIC.COM

KYLE ANDREW SCHLICHT
LICENSE
No 85798
STATE OF
FLORIDA
PROFESSIONAL ENGINEER
01/03/2019

KYLE ANDREW SCHLICHT
1540 GENESSEE STREET
KANSAS CITY, MO 64102
FLORIDA, PE #85798

DRAWING PREPARED BY:
BUTLER MANUFACTURING, A DIVISION OF
BLUESCOPE BUILDINGS NORTH AMERICA
1540 GENESSEE STREET
KANSAS CITY, MO 64102
FLORIDA CERTIFICATE OF AUTHORIZATION
NUMBER 30427

PERMIT SET- For Building Dept. Approval

1. UNLESS NOTED, USE 1/2" X 1/2" A325 BOLT (A3090) AND NUT (47120) W/O WASHERS. SNIP EIGHTH IN BOLTS ON ALL SECONDARY CONNECTIONS.
2. FLANGE BRACES ARE AN INTEGRAL PART OF THE STABILITY OF THE STRUCTURAL SYSTEM AND MUST BE PROPERLY INSTALLED PRIOR TO ERECTION OF WALL AND ROOF SHEETS.
3. REMOVAL OR ALTERATION OF ANY COMPONENT IS PROHIBITED.

THE BUTLER MFG. ENGINEER'S SEAL APPLIES ONLY TO THE WORK PRODUCT OF BUTLER MFG. AND DESIGN AND PERFORMANCE REQUIREMENTS SPECIFIED BY BUTLER. THE BUTLER MFG. ENGINEER'S SEAL DOES NOT APPLY TO THE PERFORMANCE OR DESIGN OF ANY OTHER PRODUCT OR COMPONENT FURNISHED BY BUTLER EXCEPT TO ANY DESIGN OR PERFORMANCE REQUIREMENTS SPECIFIED BY BUTLER.

THIS DRAWING, INCLUDING THE INFORMATION HEREON, REMAINS THE PROPERTY OF BUTLER MFG. IT IS PROVIDED SOLELY FOR ERECTING THE BUILDING DESCRIBED IN THE APPLICABLE PURCHASE ORDER AND MAY BE REPRODUCED ONLY FOR THAT PURPOSE. IT SHALL NOT BE MODIFIED, REPRODUCED OR USED FOR ANY OTHER PURPOSE WITHOUT PRIOR WRITTEN APPROVAL OF BUTLER MFG.

THE GENERAL CONTRACTOR AND/OR ERECTOR IS SOLELY RESPONSIBLE FOR ACCURATE GOOD QUALITY WORKMANSHIP IN ERECTING THIS BUILDING IN ACCORDANCE WITH THIS DRAWING, DETAILS REFERENCED IN THIS DRAWING, ALL APPLICABLE BUTLER MFG. ERECTION GUIDES, AND INDUSTRY STANDARDS PERTAINING TO PROPER ERECTION, INCLUDING THE CORRECT USE OF TEMPORARY BRACING.

B BUTLER MANUFACTURING 1540 GENESSEE ST. KANSAS CITY, MO 64102			
REV.	DATE:	BY:	DESCRIPTION:
DRAWING SCALE: NTS			

ROOF SECONDARY SED'S		JOB #	
BUILDER:	O'Reilly Automotive Stores, Inc.	18-047559-01	
CUSTOMER:	O'Reilly Automotive Stores, Inc.	DATE:	12/25/2018
LOCATION:	Panama City, Florida	DRAWING CHECK:	JS / SW
PROJECT:	Panama City, FL (PM1)	PAGE:	11
BUILDERS PO#:	PM1	Butler Manufacturing VPC VERSION: 2018.1b	