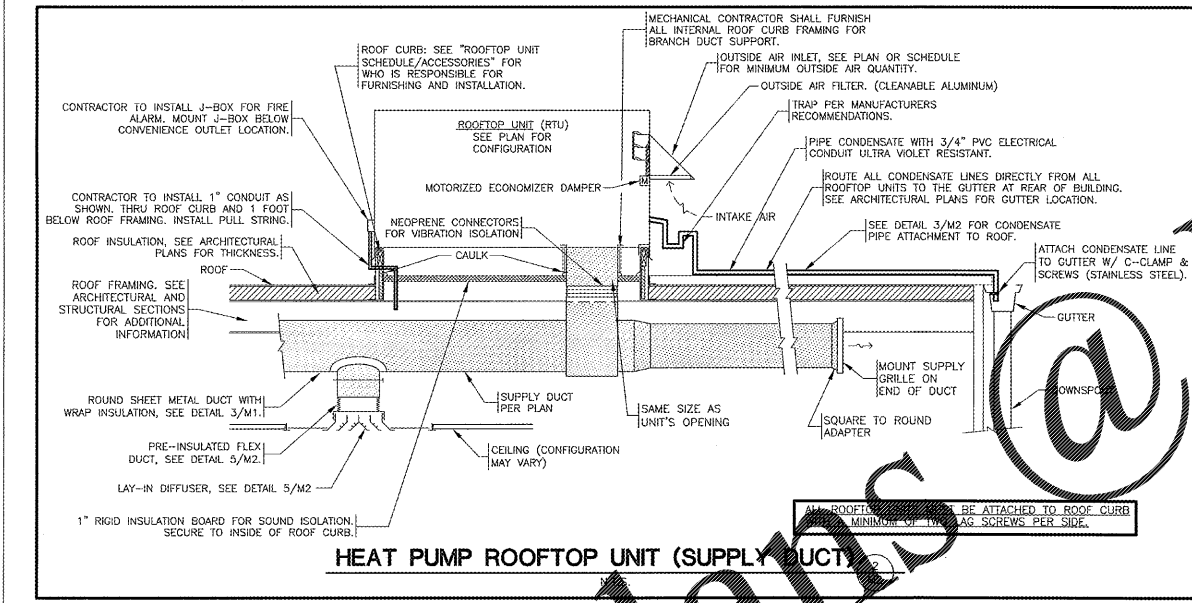
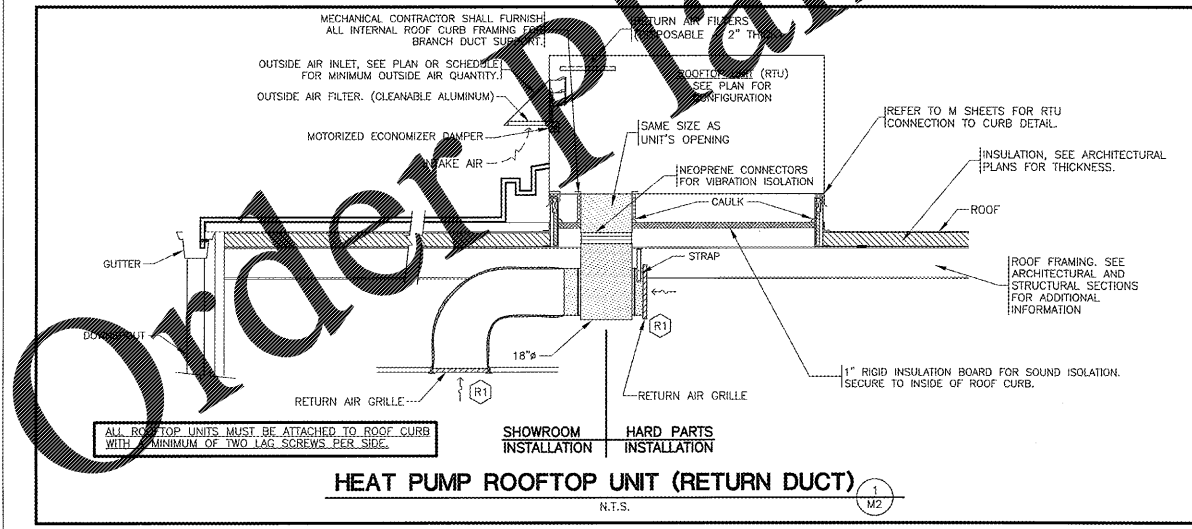


ENERGY CODE SPECIAL																			
NATIONAL ACCOUNT ROOFTOP UNIT SCHEDULE - 7.5 TON - HEAT PUMP (3-PHASE)																			
RTU - RESPONSIBILITIES					CALL THE CARRIER CUSTOMER SERVICE REP. BELOW FOR CONFIRMATION OF ORDERS. DO NOT CALL CARRIER FOR QUOTES!														
1.) ALL CARRIER HVAC UNITS ARE OWNER SUPPLIED BY O'REILLY AUTOMOTIVE.					CARRIER CORPORATION, STRATEGIC ACCOUNTS, CARRIER PARKWAY, SYRACUSE, NEW YORK 13221														
2.) MECHANICAL CONTRACTOR IS RESPONSIBLE FOR THE INSTALLATION OF ALL CARRIER HVAC UNITS.					CUSTOMER SERVICE REPS: MARIA CAMPANELLO 315-432-3946, Maria.campanello@carrier.utc.com														
3.) MECHANICAL CONTRACTOR IS RESPONSIBLE FOR THE FIRST YEAR LABOR WARRANTY ON ALL OWNER SUPPLIED EQUIPMENT.					ACCOUNT MANAGER: PAUL WITZ, CELL 315-317-2481, paul.witz@carrier.utc.com														
4.) MECHANICAL CONTRACTORS WORKING ON O'REILLY PROJECTS MUST CALL "CARRIER CORPORATION'S NATIONAL ACCOUNTS" DEPARTMENT FOR CONFIRMATION OF ORDERS ONLY!																			
5.) MECHANICAL CONTRACTOR IS RESPONSIBLE FOR SCHEDULING, SHIPPING & RECEIVING OF ALL CARRIER UNITS FROM CARRIER NATIONAL ACCOUNTS. CONTACT CUSTOMER SERVICE REP. LISTED TO THE RIGHT.																			
MARK	DESCRIPTION	MFR.	CATALOG NUMBER	HTG. MBH IN H.P.	OUT B5.4	STAGE 1 TOT./SENS.	CLG. MBH TOT./SENS.	TTL. COOL TOT./SENS.	IEER	EER	COP	SUPPLY FAN CFM	ELECTRICAL O.A. ESP HP	Wt. (lbs.)	ACCESSORIES	REMARKS	REF. DTL.		
RTU-2	WEATHERMAKER PACKAGED ROOFTOP UNIT 7.5-TON	CARRIER	50HC008K205-BU1K0	7.8KW	26.82	46/34.5	46/34.5	92/69	13.7	12.10	3.50	3000	208V/3#	1172	SEE BELOW	⚠️⚠️⚠️	1/M2 2/M2		
ACCESSORIES - FACTORY SUPPLIED AND INSTALLED										ACCESSORIES - FACTORY SUPPLIED & FIELD INSTALLED									
SD - RETURN AIR SMOKE DETECTOR. MB - MEDIUM STATIC BLOWER (2 SPEED). HG - LOW VOLTAGE HALL GUARDS. UPO - UN-POWERED CONVENIENCE OUTLET (FIELD POWERED), 15AMP, 120V, GROUND FAULT CIRCUIT INTERRUPTER (GFCI) TYPE. TBE - THRU-THE-BOTTOM-ELECTRIC SERVICE (SEE ROOF TOP UNIT DETAILS) SS - HI & LOW REFRIGERANT SAFETY SWITCHES (STANDARD ON EVERY UNIT) AF - 2" RETURN AIR FILTERS (STANDARD ON EVERY UNIT) VFD - 2 SPEED FAN CONTROLLER (VFD) EC - LOW LEAK DRY BULB ECONOMIZER X W/BAROMETRIC RELIEF & 7220 HONEYWELL CONTROL. THIS ECONOMIZER & CONTROLLER IS LISTED BY THE ENERGY CODE AND IS EQUIPPED WITH FAULT DETECTION AND DIAGNOSTICS (FDD) CC - COIL COATING (E-COATED CONDENSER AND EVAPORATOR COILS) REQUIRED WHEN WITHIN 5 MILES OF OCEAN.										EH - ELECTRIC RESISTANCE HEATER KIT (SEE ABOVE FOR SIZE) SPW - SINGLE POINT WIRING KIT FOR ELECTRIC HEATER. CO2 - CO2 SENSOR WALL MOUNT #33ZCSP7CO2LD-01 CO2/SPACE TEMPERATURE SENSOR WITH LCD DISPLAY & NO OVERRIDE. RTS - REMOTE TEST/RESET STATION, CARRIER #SD-TRM4(CRSDEST001400) FOR REMOTE TESTING/RESETTING OF DUCT SMOKE DETECTOR. SEE HVAC PLAN FOR MOUNTING LOCATIONS. HSA - ALARM/SIROBE CARRIER #6536-G5(CRSDHNSB01400), AUDIBLE/VISUAL SIGNAL DEVICE FOR SIGNALING ALARM OF DUCT SMOKE DETECTOR. SEE HVAC PLAN FOR MOUNTING LOCATIONS.									
ACCESSORIES - O'REILLY SUPPLIED & FIELD INSTALLED										ACCESSORIES - FIELD SUPPLIED & FIELD INSTALLED									
TS1 - GRIDPOINT THERMOSTAT (NO SUBSTITUTIONS). REFER TO EM SHEETS. DS - NON-FUSED DISCONNECT SWITCH (GRAYBAR/O'REILLY) SUPPLIED W/ ELECTRICAL BILL OF MATERIALS.										RC1 - ROOF CURB (12" STANDARD, 14" IN EXTREME SNOW DRIFT AREA'S) ON NEW BUILDING, ROOF CURB IS BY BUILDING MANUFACTURER. ON EXISTING BUILDING, ROOF CURB IS BY GENERAL CONTRACTOR. WEIGHT OF ROOF CURB IS NOT INCLUDED IN THE WEIGHT ABOVE. PPS - PRIMARY PAN SENSOR, AQUAGUARD AG-3180E. (NO SUBSTITUTIONS). SEE CONDENSATE SENSOR INSTALLATION									
REMARKS										REMARKS									
⚠️ COOLING CAPACITY BASED ON 80°F EDB AND 67°F EWB. ⚠️ CAPACITY BASED ON 95°F AMBIENT TEMPERATURE. ⚠️ NOTE: HVAC COMPLETION, AT CONSTRUCTION COMPLETION: 1. CONTRACTOR SHALL REPLACE ALL RETURN AIR FILTERS INSIDE ALL HVAC UNITS W/CLEAN NEW AIR FILTERS. 2. CONTRACTOR SHALL SUPPLY AN ADDITIONAL CLEAN SET OF FILTERS TO THE OWNER AT JOB COMPLETION. 3. CONTRACTOR SHALL SHOW THE STORE MANAGER THE LOCATION OF & INSTRUCT HIM/HER HOW TO CHANGE ALL AIR FILTERS. ⚠️ FACTORY EQUIPPED WITH STANDARD LOW AMBIENT COOLING TO 35°F ODB.										⚠️ OUTSIDE AIR, SEE PLAN FOR UNIT(S) REQUIRING OUTSIDE AIR. ⚠️ REFRIGERANT = R410A (PURON). ⚠️ NOTE: SMOKE DETECTOR HVAC TECHNICIAN IS RESPONSIBLE FOR: 1. TESTING THE SMOKE DETECTOR ONCE THE UNIT IS INSTALLED WITH A SMOKE BOMB AND TEST MUST OCCUR PRIOR TO C OF O TESTING TO ENSURE THE UNIT IS WORKING PROPERLY. 2. THE HVAC TECHS ARE RESPONSIBLE FOR SUPPLYING ALL WIRING/CONNECTIONS THAT WILL SHUT THE UNITS DOWN ON A SMOKE ALARM. 3. THE FIRE ALARM TECHNICIANS ARE ONLY RESPONSIBLE FOR MONITORING THE SMOKE ITSELF TO TELL WHEN IT'S IN TROUBLE OR ALARM. * MAXIMUM CIRCUIT BREAKER OR TIME-DELAY FUSE.									

ENERGY CODE SPECIAL																			
NATIONAL ACCOUNT ROOFTOP UNIT SCHEDULE - 5 TON - HEAT PUMP (3-PHASE)																			
RTU - RESPONSIBILITIES					CALL THE CARRIER CUSTOMER SERVICE REP. BELOW FOR CONFIRMATION OF ORDERS. DO NOT CALL CARRIER FOR QUOTES!														
1.) ALL CARRIER HVAC UNITS ARE OWNER SUPPLIED BY O'REILLY AUTOMOTIVE.					CARRIER CORPORATION, STRATEGIC ACCOUNTS, CARRIER PARKWAY, SYRACUSE, NEW YORK 13221														
2.) MECHANICAL CONTRACTOR IS RESPONSIBLE FOR THE INSTALLATION OF ALL CARRIER HVAC UNITS.					CUSTOMER SERVICE REPS: MARIA CAMPANELLO 315-432-3946, Maria.campanello@carrier.utc.com														
3.) MECHANICAL CONTRACTOR IS RESPONSIBLE FOR THE FIRST YEAR LABOR WARRANTY ON ALL OWNER SUPPLIED EQUIPMENT.					ACCOUNT MANAGER: PAUL WITZ, CELL 315-317-2481, paul.witz@carrier.utc.com														
4.) MECHANICAL CONTRACTORS WORKING ON O'REILLY PROJECTS MUST CALL "CARRIER CORPORATION'S NATIONAL ACCOUNTS" DEPARTMENT FOR CONFIRMATION OF ORDERS ONLY!																			
5.) MECHANICAL CONTRACTOR IS RESPONSIBLE FOR SCHEDULING, SHIPPING & RECEIVING OF ALL CARRIER UNITS FROM CARRIER NATIONAL ACCOUNTS. CONTACT CUSTOMER SERVICE REP. LISTED TO THE RIGHT.																			
MARK	DESCRIPTION	MFR.	CATALOG NUMBER	HTG. MBH IN H.P.	OUT 57.4	STAGE 1 TOT./SENS.	CLG. MBH TOT./SENS.	TTL. COOL TOT./SENS.	SEER	EER	HSFP	SUPPLY FAN CFM	ELECTRICAL O.A. ESP HP	Wt. (lbs.)	ACCESSORIES	REMARKS	REF. DTL.		
RTU-1	WEATHERMAKER PACKAGED ROOFTOP UNIT 5-TON	CARRIER	50HC008K205-BU1D0	4.9KW	16.72	61.5	47.3	15.00	12.50	8.20	2000	208V/3#	47	50*	750	SEE BELOW	⚠️⚠️⚠️	1/M2 2/M2	
ACCESSORIES - FACTORY SUPPLIED AND INSTALLED										ACCESSORIES - FACTORY SUPPLIED & FIELD INSTALLED									
SD - RETURN AIR SMOKE DETECTOR. MB - MEDIUM STATIC BLOWER. HG - LOW VOLTAGE HALL GUARDS. UPO - UN-POWERED CONVENIENCE OUTLET (FIELD POWERED), 15AMP, 120V, GROUND FAULT CIRCUIT INTERRUPTER (GFCI) TYPE. TBE - THRU-THE-BOTTOM-ELECTRIC SERVICE (SEE ROOF TOP UNIT DETAILS) SS - HI & LOW REFRIGERANT SAFETY SWITCHES (STANDARD ON EVERY UNIT) AF - 2" RETURN AIR FILTERS (STANDARD ON EVERY UNIT) EC - LOW LEAK DRY BULB ECONOMIZER X W/BAROMETRIC RELIEF & 7220 HONEYWELL CONTROL. THIS ECONOMIZER & CONTROLLER IS LISTED BY THE ENERGY CODE AND IS EQUIPPED WITH FAULT DETECTION AND DIAGNOSTICS (FDD) CC - COIL COATING (E-COATED CONDENSER AND EVAPORATOR COILS) REQUIRED WHEN WITHIN 5 MILES OF OCEAN.										EH - ELECTRIC RESISTANCE HEATER KIT (SEE ABOVE FOR SIZE) SPW - SINGLE POINT WIRING KIT FOR ELECTRIC HEATER. CO2 - CO2 SENSOR WALL MOUNT #33ZCSP7CO2LD-01 CO2/SPACE TEMPERATURE SENSOR WITH LCD DISPLAY & NO OVERRIDE. RTS - REMOTE TEST/RESET STATION, CARRIER #SD-TRM4(CRSDEST001400) FOR REMOTE TESTING/RESETTING OF DUCT SMOKE DETECTOR. SEE HVAC PLAN FOR MOUNTING LOCATIONS. HSA - ALARM/SIROBE CARRIER #6536-G5(CRSDHNSB01400), AUDIBLE/VISUAL SIGNAL DEVICE FOR SIGNALING ALARM OF DUCT SMOKE DETECTOR. SEE HVAC PLAN FOR MOUNTING LOCATIONS.									
ACCESSORIES - O'REILLY SUPPLIED & FIELD INSTALLED										ACCESSORIES - FIELD SUPPLIED & FIELD INSTALLED									
TS1 - GRIDPOINT THERMOSTAT (NO SUBSTITUTIONS). REFER TO EM SHEETS. DS - NON-FUSED DISCONNECT SWITCH (GRAYBAR/O'REILLY) SUPPLIED W/ ELECTRICAL BILL OF MATERIALS.										RC1 - ROOF CURB (12" STANDARD, 14" IN EXTREME SNOW DRIFT AREA'S) ON NEW BUILDING, ROOF CURB IS BY BUILDING MANUFACTURER. ON EXISTING BUILDING, ROOF CURB IS BY GENERAL CONTRACTOR. WEIGHT OF ROOF CURB IS NOT INCLUDED IN THE WEIGHT ABOVE. PPS - PRIMARY PAN SENSOR, AQUAGUARD AG-3180E. (NO SUBSTITUTIONS). SEE CONDENSATE SENSOR INSTALLATION									
REMARKS										REMARKS									
⚠️ COOLING CAPACITY BASED ON 80°F EDB AND 67°F EWB. ⚠️ CAPACITY BASED ON 95°F AMBIENT TEMPERATURE. ⚠️ NOTE: HVAC COMPLETION, AT CONSTRUCTION COMPLETION: 1. CONTRACTOR SHALL REPLACE ALL RETURN AIR FILTERS INSIDE ALL HVAC UNITS W/CLEAN NEW AIR FILTERS. 2. CONTRACTOR SHALL SUPPLY AN ADDITIONAL CLEAN SET OF FILTERS TO THE OWNER AT JOB COMPLETION. 3. CONTRACTOR SHALL SHOW THE STORE MANAGER THE LOCATION OF & INSTRUCT HIM/HER HOW TO CHANGE ALL AIR FILTERS. ⚠️ FACTORY EQUIPPED WITH STANDARD LOW AMBIENT COOLING TO 35°F ODB.										⚠️ OUTSIDE AIR, SEE PLAN FOR UNIT(S) REQUIRING OUTSIDE AIR. ⚠️ REFRIGERANT = R410A (PURON). ⚠️ NOTE: SMOKE DETECTOR HVAC TECHNICIAN IS RESPONSIBLE FOR: 1. TESTING THE SMOKE DETECTOR ONCE THE UNIT IS INSTALLED WITH A SMOKE BOMB AND TEST MUST OCCUR PRIOR TO C OF O TESTING TO ENSURE THE UNIT IS WORKING PROPERLY. 2. THE HVAC TECHS ARE RESPONSIBLE FOR SUPPLYING ALL WIRING/CONNECTIONS THAT WILL SHUT THE UNITS DOWN ON A SMOKE ALARM. 3. THE FIRE ALARM TECHNICIANS ARE ONLY RESPONSIBLE FOR MONITORING THE SMOKE ITSELF TO TELL WHEN IT'S IN TROUBLE OR ALARM. * MAXIMUM CIRCUIT BREAKER OR TIME-DELAY FUSE.									



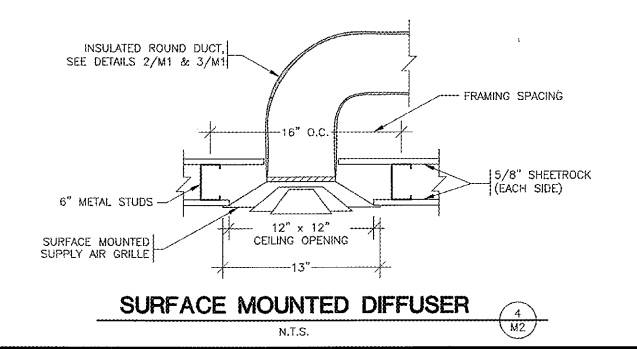
HEAT PUMP ROOFTOP UNIT (SUPPLY DUCT)



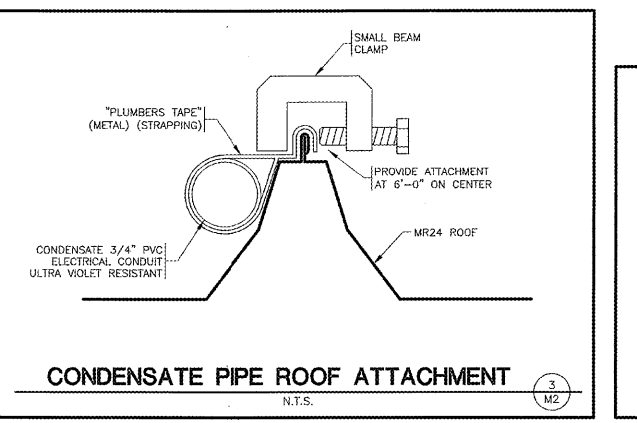
HEAT PUMP ROOFTOP UNIT (RETURN DUCT)

PRIMARY PAN SENSOR INSTALLATION, TYPE ALL RTU (PPS)

1. TAKE OUT 6 BOLTS HOLDING IN ECONOMIZER AND UNPLUG.
2. ECONOMIZER IS FACTORY INSTALLED IT SHOULD BE UNPLUGGED.
3. THEN REMOVE THE ROOF TOP COVER ON THE END OF COIL IN WHICH CONDENSATE PAN IS LOCATED THAT NEED TO BE REMOVED.
4. INSTALL THE SENSITIVE SENSOR IN THE DRAIN PAN BECAUSE THERE ARE NO TIGHT.
5. ATTACH THE PREFERRED PLACE FOR THE SENSOR.
6. ATTACH THE CONDENSATE SENSOR TO THE DRAIN PAN AND ROUTE THE SENSOR'S WIRE TO THE RTU'S CONTROL BOARD AND TEST FOR PROPER OPERATION.
7. REASSEMBLE EVERYTHING.



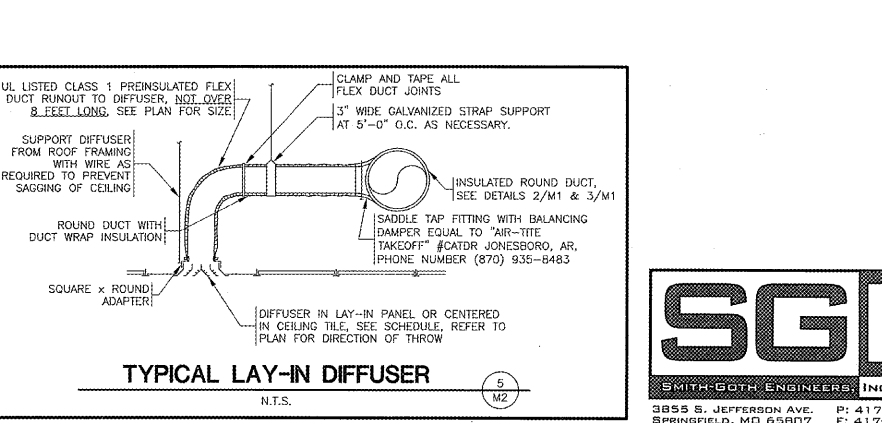
SURFACE MOUNTED DIFFUSER



CONDENSATE PIPE ROOF ATTACHMENT

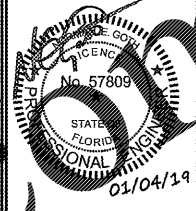
FAN SCHEDULE												
MARK	DESCRIPTION	MFR.	CATALOG NUMBER	CFM (NOM)	STATIC PRESS.	MOTOR H.P.	V/PH	MCA	MOCP	ACCESSORIES	REMARKS	REF. DETAIL
EF-1	INLINE EXHAUST FAN	COOK	GN-642	500	0.1	195W	120/1	-	-	BD,DS,WC	⚠️⚠️	-
EF-2	INLINE FAN	COOK	GN-642	500	0.1	195W	120/1	-	-	BD,DS,SS	⚠️	-
ACCESSORIES										REMARKS		
BD - GRAVITY BACK DRAFT DAMPER DS - DISCONNECT SWITCH WC - WALL CAP, *COOK #WCA-6, ALUMINUM SS - FAN SPEED SWITCH *COOK #FSC (OFFICE ONLY)										⚠️ ADJUST FOR CFM REQUIRED. ⚠️ EXHAUST FAN SHALL BE WIRED BY THE ELECTRICAL CONTRACTOR TO OPERATE WITH EITHER RESTROOM'S LIGHT SWITCH. ⚠️ FAN IN OFFICE TO BE CONTROLLED BY FAN SPEED SWITCH.		
APPROVED ALTERNATE MANUFACTURER'S										FANS: *GREENHECK *CARNES		

GRILLE AND DIFFUSER SCHEDULE											
MARK	DESCRIPTION	MFR.	CATALOG NUMBER	SIZE (in.)	FINISH	MOUNTING	BRANCH DUCT SIZE	ACCESSORIES	REMARKS	REF. DETAIL	
(G)	SUPPLY GRILLE	ANEMOSTAT	S2H0	14x14	WHITE	DUCT	SEE PLAN	OB	⚠️	-	
(S)	SUPPLY DIFFUSER	ANEMOSTAT	E-1-D	12x12	WHITE	SURFACE	SEE PLAN	DT	⚠️⚠️	4/M2	
(S)	SUPPLY DIFFUSER	ANEMOSTAT	EPL	24x24	WHITE	DUCT/LAY-IN	SEE PLAN	-	-	5/M2	
(R)	RETURN GRILLE	ANEMOSTAT	GCS	24x24	WHITE	LAY-IN/EXPOSED	SEE PLAN	-	NON-FERRED GRILLE	5/M2	
(R)	RETURN GRILLE	ANEMOSTAT	GCS	12x12	WHITE	SURFACE	SEE PLAN	-	NON-FERRED GRILLE	4/M2	
(X)	EXHAUST GRILLE	ANEMOSTAT	S3HS	12x12	WHITE	CEILING	SEE PLAN	OB	-	-	
ACCESSORIES										REMARKS	
OB - OPPOSED BLADE DAMPER DT - DIRECTIONAL TABS										⚠️ 1-WAY ⚠️ 4-WAY ⚠️ DIRECTIONAL TABS, ADJUST TO PROVIDE THROW AS INDICATED ON PLANS.	
APPROVED ALTERNATE MANUFACTURER'S										GRILLES, DIFFUSERS & DAMPERS: *TUTTLE & BAILEY *NARLOS *ARROW *CARNES *PRICE INDUSTRIES *TITUS *KRUERER	



TYPICAL LAY-IN DIFFUSER

Norman E. Goth
FL Lic # 57809
Firm Lic # 27905



DRAWN BY: CEV

CRIG A. SCHNEIDER, AIA
ARCHITECT
1736 East Sunshine, Suite 417
Springfield, Missouri 65804
e-mail: architect@ctcityschneider.com
417.862.0558
417.862.9285

PROJECT:
NEW O'REILLY AUTO PARTS STORE
1345 15TH STREET
PANAMA CITY, FL #1
HVAC SCHEDULES

O'Reilly AUTO PARTS
CORPORATE OFFICES
233 SOUTH PATTERSON
SPRINGFIELD, MISSOURI 65802
(417) 862-2874 TELEPHONE

COMM # 4275
DATE: 01-04-19
REVISION
DATE:

