

RECEIVED
03/03/19

HVAC GENERAL NOTES

- DRAWINGS IS DIAGRAMMATIC AND IS NOT TO BE SCALED. REFER TO ARCHITECTURAL PLANS OR FIELD MEASUREMENTS FOR DIMENSIONS.
- ALL WORK IS TO BE PERFORMED IN ACCORDANCE WITH THE APPLICABLE CODE(S) NOTED ON THE CODE SUMMARY SHEET.
- THE CONTRACTOR SHALL FIELD VERIFY ALL EXISTING CONSTRUCTION PRIOR TO SUBMITTING HIS BID. NO EXTRAS WILL BE PAID DUE TO UNANTICIPATED EXISTING CONDITIONS.
- ALL ROOF AND WALL PENETRATIONS REQUIRED SHALL BE COORDINATED WITH THE GENERAL CONTRACTOR. PROVIDE ALL SLEEVES, FLASHING, CURBS, REINFORCING ANGLES, SUPPORTING FRAMES, ETC., WHICH ARE REQUIRED UNLESS THEY ARE SPECIFICALLY CALLED OUT TO BE FURNISHED BY OTHERS.
- A SUBMITTAL OF ALL MATERIALS AND EQUIPMENT PROPOSED TO BE USED ON THE JOB SHALL BE PREPARED AS SOON AS POSSIBLE AFTER AWARD OF THE CONTRACT. THE SUBMITTAL WILL BE REVIEWED BY THE OWNER FOR EQUAL QUALITY AND PERFORMANCE TO THE ITEMS SPECIFIED. ALL CONTROL DEVICES SHALL BE INCLUDED IN THE SUBMITTAL.
- THE PROPER PERFORMANCE OF THE CONTROL SYSTEM IS THE RESPONSIBILITY OF THE CONTRACTOR.
- THE CONTRACTOR SHALL COOPERATE AND COORDINATE HIS WORK WITH THE WORK OF OTHER SUBCONTRACTORS OF THE PROJECT. COORDINATION DOES NOT MEAN "I WAS HERE FIRST".
- THE CONTRACTOR SHALL BE RESPONSIBLE FOR INSTALLING A COMPLETE AND FUNCTIONAL SYSTEM IN ACCORDANCE WITH THE INTENT OF THE PLANS, WHETHER OR NOT EVERY ELEMENT THEREOF IS SPECIFICALLY CALLED OUT.
- DUCT DIMENSIONS ON PLANS ARE TO BE FINISHED INSIDE DIMENSIONS.
- DUCT MATERIALS SHALL BE AS FOLLOWS:
ROUND SUPPLY AIR DUCT (SPEC 23 30 00)
RECTANGULAR SUPPLY AND RETURN AIR DUCT WORK - (SPEC 23 30 00) INSTALL TURNING VANES IN ALL ELBOWS. DO NOT SUBSTITUTE RADIUSSED ELBOWS.
RETURN AIR DUCTS - (SPEC 23 30 00) (SEE DIFFUSER INSTALLATION DETAIL).
EXHAUST DUCT - (SPEC 23 30 00)
TRANSITIONS - SHALL CONFORM TO SMACNA STANDARDS.
- INSULATE HVAC CONDENSATE DRAIN PIPING WITH 1/2" ARMAFLEX.
- ALL WORK IS TO BE GUARANTEED FOR ONE YEAR UPON OCCUPANCY.
- NO EQUIPMENT OR LISTED SUBSTITUTIONS (THAT ARE NOT CURRENTLY LISTED) WITHOUT PRIOR WRITTEN APPROVAL OF THE OWNER.
- UPON COMPLETION BALANCE SYSTEMS TO AIR FLOWS SHOWN. REPORT THE BALANCING MEASUREMENTS ON THE "AS BUILT" DRAWINGS.
- MOUNT CONDENSATE AND REFRIGERANT LINES AS HIGH AS POSSIBLE.
- CONTROL WIRING BY HVAC CONTRACTOR, FINAL CONNECTIONS BY HVAC CONTRACTOR.
- ALL CAULKING ON BUILDING PENETRATIONS SHALL BE A ONE-COMPONENT NON-SAG URETHANE ELASTOMERIC SEALANT. ANY CONTRACTOR WHO USED SILICONE OR ANY OTHER CAULKING WILL BE REQUIRED TO REMOVE AND REPLACE WITH A SPECIFIED SEALANT (SPEC: 07 92 00).
- THE HVAC SYSTEM SHALL BE CONSTRUCTED IN ACCORDANCE WITH NFPA 101:7-2 and NFPA 90A "STANDARD FOR THE INSTALLATION OF AIR CONDITIONING AND VENTILATION SYSTEMS".
- ALL HVAC SYSTEM FLUES & VENTS SHALL BE CONSTRUCTED IN ACCORDANCE WITH NFPA 54 (LATEST EDITION).
- PROVIDE AIR FILTRATION MEDIA FOR OUTSIDE AND RETURN AIR PRIOR TO OCCUPANCY THAT PROVIDES AT LEAST A MINIMUM EFFICIENCY REPORTING VALUE (MERV) OF 8.
- COVERING OF DUCT OPENINGS AND PROTECTION OF MECHANICAL EQUIPMENT DURING CONSTRUCTION. AT THE TIME OF ROUGH INSTALLATION, OR DURING STORAGE ON THE CONSTRUCTION SITE AND UNTIL FINAL STARTUP OF THE HEATING AND COOLING EQUIPMENT, ALL DUCT AND OTHER RELATED AIR DISTRIBUTION COMPONENT OPENINGS SHALL BE COVERED WITH TAPE, PLASTIC, SHEET METAL OR OTHER METHODS ACCEPTABLE TO THE ENFORCING AGENCY TO REDUCE THE AMOUNT OF DUST OR DEBRIS WHICH MAY COLLECT IN THE SYSTEM.
- ALL HVAC CONDENSATE LINES SHALL RUN AT A MINIMUM SLOPE OF 1/8-INCH PER FOOT.

HVAC OUTDOOR AIR REQUIREMENTS

MECHANICAL CODE REFERENCE:
FOR REQUIRED OUTDOOR VENTILATION AIR IN RETAIL - "SALES/STORAGE ROOM"

1. SHOWROOM = 3534 SQUARE FEET
2. HARD PARTS = 8452 SQUARE FEET

SHOWROOM (SALES)
3534 (SQUARE FEET) ÷ 1000 (SQUARE FEET) = 3.53
3.53 x 15 (PERSONS/1000 SQUARE FEET) = 53 PERSONS
(CFM/PERSON x PERSONS) + (CFM/SQUARE FEET x SQUARE FEET) = CFM
(7.5 x 53) + (.12 x 3534) = 821.65 CFM OF OUTSIDE AIR REQUIRED
821.65 ÷ .8 (EFFECTIVENESS) = 1027.07 CFM

HARD PARTS (STORAGE ROOM)
8452 x .12 (CFM/SQUARE FEET) = 1014.2 CFM OF OUTSIDE AIR REQUIRED
1014.2 ÷ .8 (EFFECTIVENESS) = 1267.80 CFM

1027 CFM + 1268 CFM = 2295 TOTAL CFM

TOTAL OUTSIDE AIR MINIMUM REQUIRED BY CODE: 2295 CFM
OUTSIDE AIR SPECIFIED ON PLAN SHEET M1: 2175 CFM

HVAC - KEYNOTES

- 12"x12" DUCT WITH ELBOW FROM "R2" TO JUST ABOVE THE CEILING PLATFORM.
- WALL CAP 500 CFM EXHAUST. ARCHITECTURAL ELEVATIONS SHOW DIMENSIONED LOCATION.

HVAC ROOF BRACING CONFLICTS

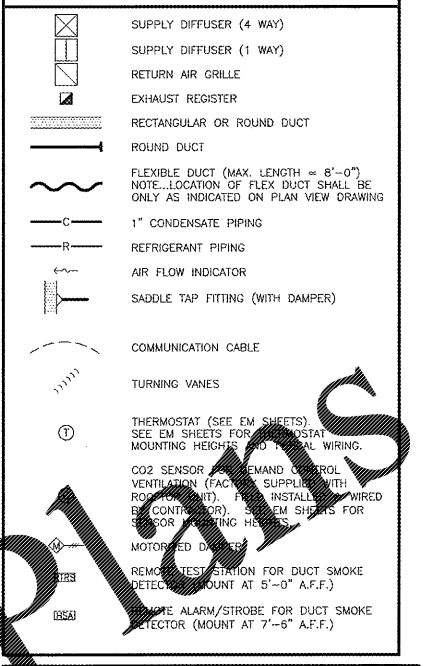
CONTRACTOR TO FIELD VERIFY ROOF'S HORIZONTAL RIGID BRACING LOCATIONS. IF NECESSARY, SHIFT ROOFTOP UNITS AND DUCTS AS REQUIRED TO AVOID CONFLICT WITH BRACING.

OUTSIDE AIR SETUP:

CONTRACTOR TO SET DAMPERS AS FOLLOWS:
ECONOMIZER MODE MAXIMUM CFM PER UNIT
7.5 TON RTU = 3,000
5 TON RTU = 2,000

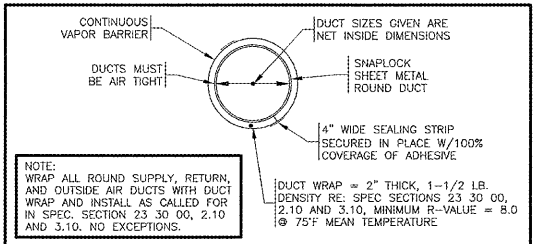
MINIMUM OUTSIDE AIR CFM PER ROOFTOP UNIT (TYPICAL) = 435 DURING OCCUPIED HOURS ONLY.

HVAC LEGEND



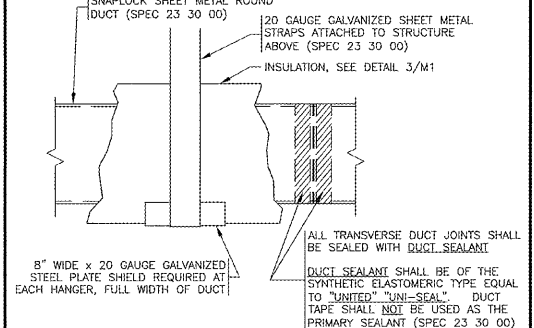
HVAC SYSTEMS TESTING & BALANCING

THE HVAC SYSTEM SHALL BE TESTED AND BALANCED (T&B) BY THE CONTRACTOR PER SPEC SECTION: 23 05 93 AND IN ACCORDANCE WITH THE PROCEDURES OF AABC OR NEBB. CONTRACTOR SHALL SUBMIT WRITTEN T&B REPORTS TO THE OWNER. SINCE THIS O'REILLY STORE IS LESS THAN 50,000 SQ. FT. THEN SYSTEM COMMISSIONING IS NOT REQUIRED PER ASHRAE 90.1.



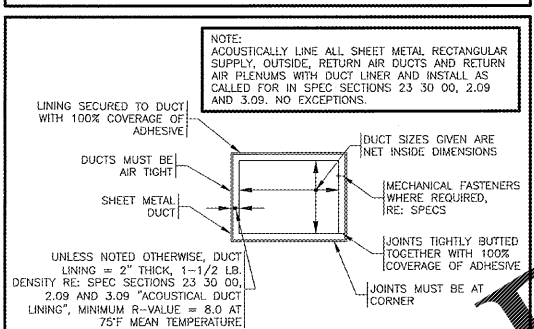
ROUND DUCT WRAP INSULATION

N.T.S.



ROUND DUCT INSULATION HANGER SHIELD

N.T.S.



RECTANGULAR DUCT LINER INSULATION

N.T.S.

