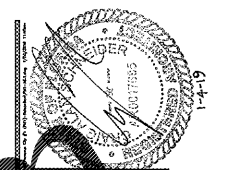


GENERAL NOTES

- (A) REFER TO PROJECT MANUAL AND SCOPE OF WORK SCHEDULE FOR ADDITIONAL REQUIREMENTS.
- (B) SHEET METAL AND ROOFING CONSTRUCTION SHALL COMPLY WITH NATIONAL ROOFING CONTRACTORS ASSOCIATION (NRCA) AND SHEET METAL AND AIR CONDITIONING CONTRACTORS NATIONAL ASSOCIATION (SMACNA) DESIGN STANDARDS AND RECOMMENDATIONS.



CRAIG A. SCHNEIDER, AIA
ARCHITECT

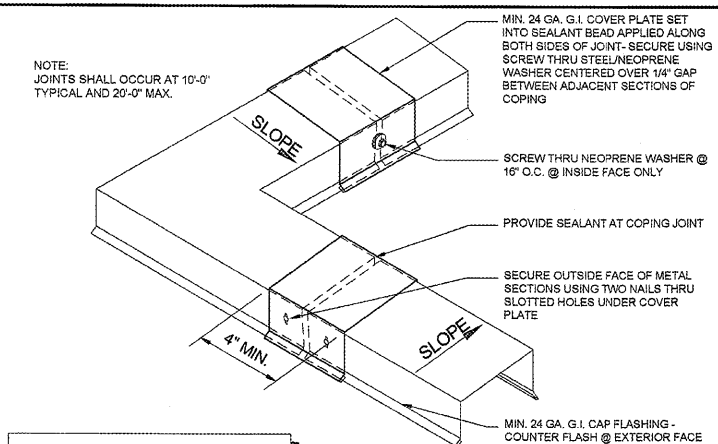
1736 East Vanishing, Suite 417
Springfield, Missouri 65804

417.862.0266
417.862.3266
e-mail: architect@esterschneider.com

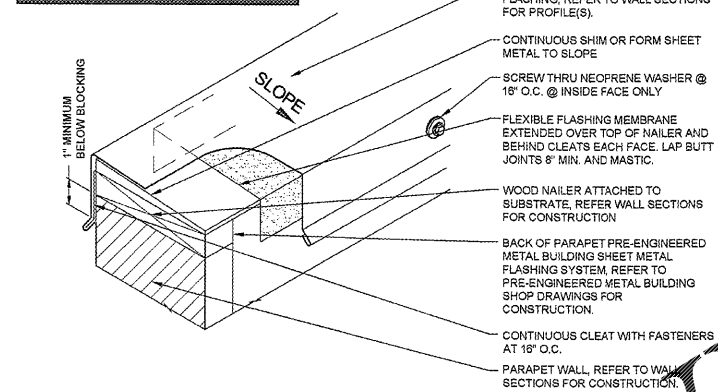
PROJECT:
NEW O'REILLY AUTO PARTS STORE
1345 15TH STREET
PANAMA CITY, FL #1

O'Reilly AUTO PARTS
CORPORATE OFFICES
283 SOUTH PATTERSON
SPRINGFIELD, MISSOURI 65802
(417) 862-2674 TELEPHONE

COMM #	4275
DATE:	1-4-19
REVISION	
DATE:	



NOTE:
JOINTS SHALL OCCUR AT 10'-0\"/>



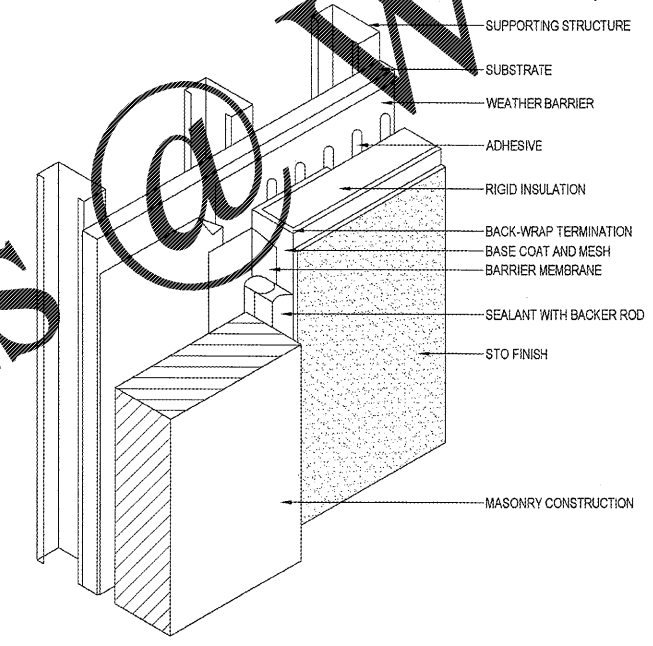
NOTE:
REFER TO SECTIONS AND DETAILS FOR WALL CONSTRUCTION ASSEMBLIES AND NOTATION.

NOTES:
1. INSTALLATION TO BE COMPLETED IN ACCORDANCE WITH MANUFACTURER'S SPECIFICATIONS.

1 (NOT USED)
A6.1 SCALE: N.T.S.

2 TYPICAL COPING FLASHING DETAIL
A6.1 SCALE: N.T.S.

3 EIFS DECORATIVE JOINT DETAIL
A6.1 SCALE: N.T.S.



NOTE:
REFER TO SECTIONS AND DETAILS FOR WALL CONSTRUCTION ASSEMBLIES AND NOTATION.

NOTES:
1. INSTALLATION TO BE COMPLETED IN ACCORDANCE WITH MANUFACTURER'S SPECIFICATIONS.

4 NOT USED
A6.1 SCALE: N.T.S.

5 EIFS TERMINATION DETAIL
A6.1 SCALE: N.T.S.

Order Plans @ WWW.WLDLine.com