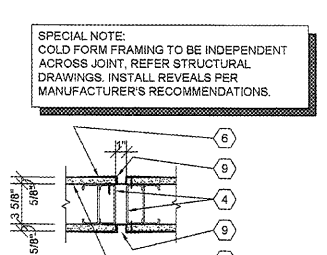
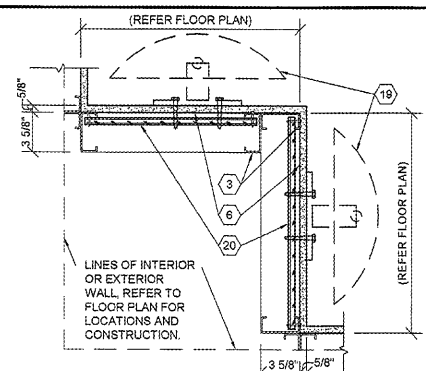


1 COLUMN DETAIL
A4.2 SCALE: 3/4" = 1'-0"

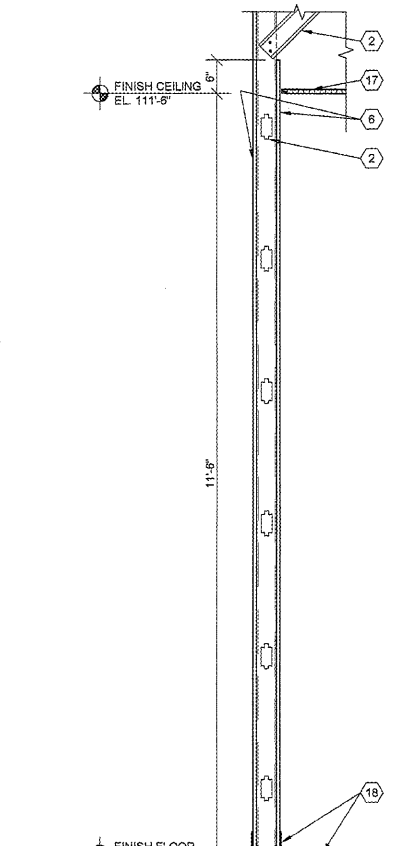


2 GYPSUM BOARD C.J. DETAIL
A4.2 SCALE: 1 1/2" = 1'-0"

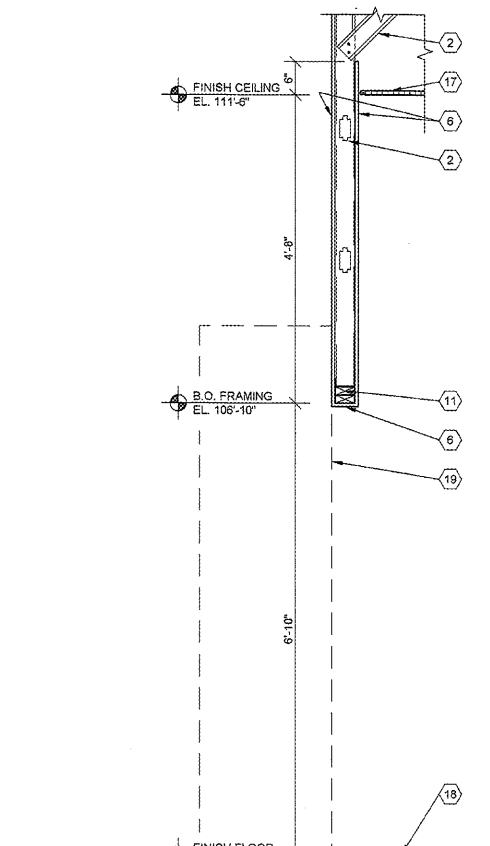
3 NOT USED
A4.2 SCALE: NTS



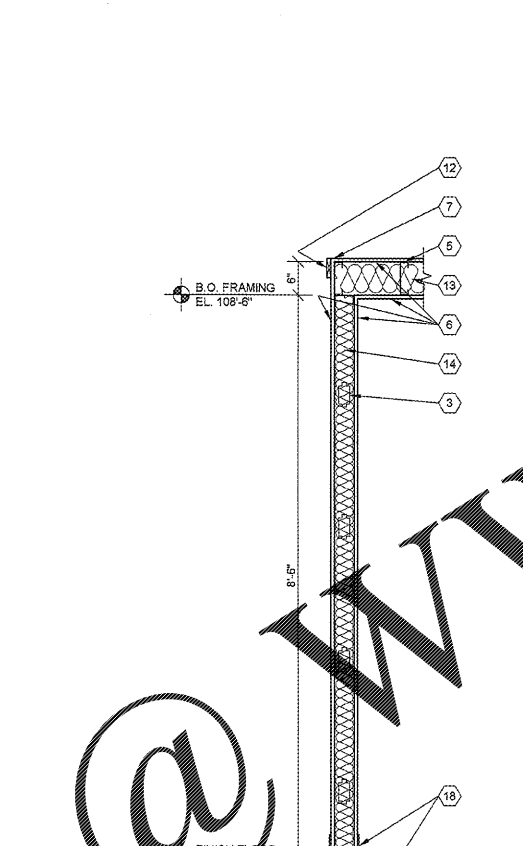
4 FRAMING DETAIL
A4.2 SCALE: 1 1/2" = 1'-0"



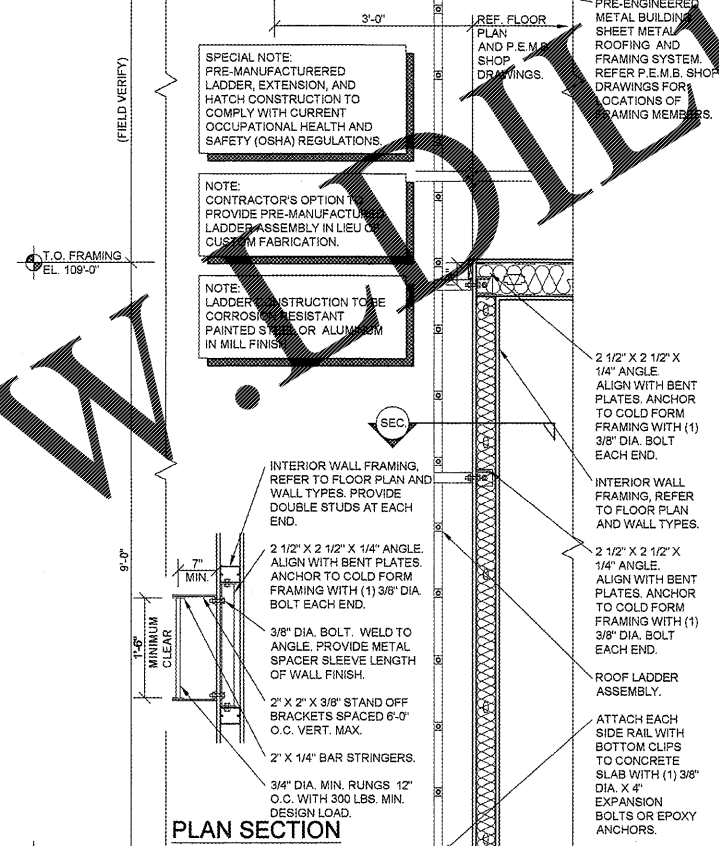
5 INTERIOR WALL SECTION
A4.2 SCALE: 3/4" = 1'-0"



6 INTERIOR WALL SECTION
A4.2 SCALE: 3/4" = 1'-0"



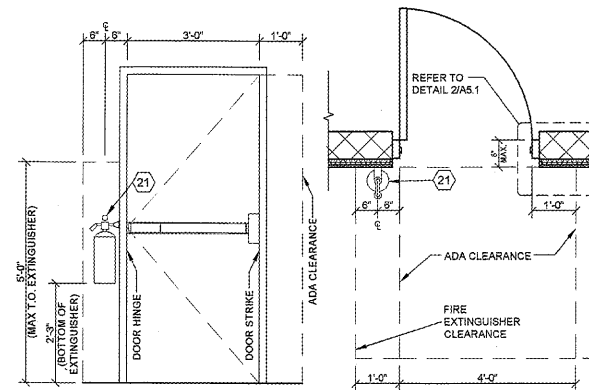
7 INTERIOR WALL SECTION
A4.2 SCALE: 3/4" = 1'-0"



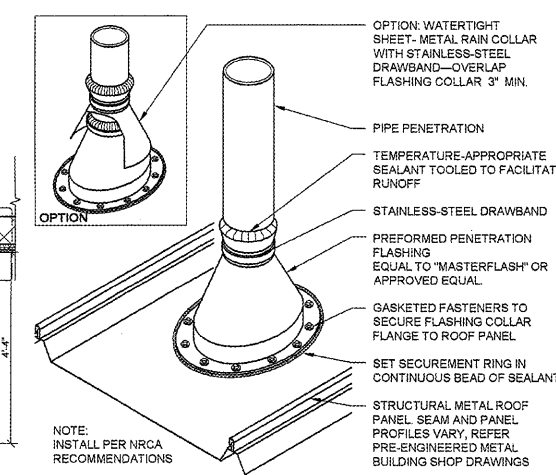
8 INTERIOR ROOF LADDER SECTION
A4.2 SCALE: 3/4" = 1'-0"

Order Plans

9 NOT USED
A4.2 NOT TO SCALE



10 FIRE EXTINGUISHER DETAIL
A4.2 SCALE: 1/2" = 1'-0"



11 VENT THRU ROOF DETAIL
A4.2 NOT TO SCALE

- ### GENERAL NOTES
- A REFER TO PROJECT MANUAL FOR ADDITIONAL REQUIREMENTS.
 - B DIMENSIONS ARE TO ROUGH FACE OF CONCRETE, MASONRY, FRAMING, OR CENTER LINE OF STRUCTURE UNLESS OTHERWISE INDICATED.
 - C REFER TO INTERIOR FINISH SCHEDULES FOR MATERIAL TYPES, COLORS AND FINISHES.
- ### KEY NOTES
- 1 PRE-ENGINEERED METAL BUILDING SYSTEM STEEL COLUMN, REFER TO P.E.M.B. SHOP DRAWINGS FOR ADDITIONAL REQUIREMENTS, PAINT WHERE INDICATED.
 - 2 3/8" COLD FORM METAL FRAMING ATTACHED TO ROOF STRUCTURE, REFER TO STRUCTURAL DRAWINGS FOR FRAMING REQUIREMENTS.
 - 3 3/8" (20 GA.) COLD FORM METAL FRAMING AT 24" O.C., REFER TO INTERIOR WALL TYPES FOR ADDITIONAL REQUIREMENTS.
 - 4 1/8" COLD FORM METAL STUDS DOUBLED AT CONTROL JOINT.
 - 5 6" (20 GA.) COLD FORM METAL CEILING JOIST FRAMING AT 24" O.C.
 - 6 5/8" TYPE "X" GYPSUM BOARD, REFER TO INTERIOR WALL TYPES AND FOR ADDITIONAL REQUIREMENTS.
 - 7 GYPSUM BOARD CORNER BEAD CONTINUOUS.
 - 8 NOT USED
 - 9 GYPSUM BOARD CONTINUOUS EXPANSION JOINT, PROVIDE FRY REGLET "DRMF-625-75" AND "JDM-625" AT JOINT ON BOTH SIDES OF WALL.
 - 10 FIRE TREATED 2X NAILERS OR BLOCKING.
 - 11 (2) FIRE TREATED 2X NAILERS.
 - 12 1x4 WOOD TRIM (PAINT GRADE PINE) ATTACHED TO METAL STUD FRAMING WITH TECH 12 SCREWS AT 24" O.C. SET FLUSH, PAINT EXPOSED SURFACES TO MATCH WALL FINISH.
 - 13 6" UNFACED SOUND BATT INSULATION.
 - 14 3 1/2" UNFACED SOUND BATT INSULATION.
 - 15 ALUMINUM WINDOW SYSTEM, REFER TO FLOOR PLAN AND WINDOW SCHEDULE FOR TYPES.
 - 16 PRE-FINISHED SHEET METAL (24 GA.) COLUMN ENCLOSURE TO EXTEND THRU FINISH CEILING SYSTEM, COLOR TO MATCH WINDOW FRAMING FINISH, NO EXPOSED HORIZONTAL SEAMS PERMITTED.
 - 17 SUSPENDED ACOUSTICAL CEILING SYSTEM, REFER TO INTERIOR FINISH SCHEDULE FOR TYPES AND LOCATIONS.
 - 18 FINISH FLOORING AND BASE, REFER TO INTERIOR FINISH SCHEDULE FOR TYPES AND LOCATIONS.
 - 19 OWNER FURNISHED AND INSTALLED FIXTURE, REFER TO INTERIOR FINISH PLAN FOR LAYOUT. (REFER TO SCOPE OF WORK SCHEDULE.)
 - 20 5/8" FIRE TREATED PLYWOOD BACKING TO BACK SIDE OF STUD FRAMING WITH TECH 12 SCREWS AT 24" O.C. SET FLUSH, PAINT EXPOSED SURFACES TO MATCH WALL FINISH.
 - 21 PORTABLE FIRE EXTINGUISHER MOUNTED AT 42" ABOVE FINISH FLOOR TO CENTERLINE OF EXTINGUISHER. FIRE EXTINGUISHERS SHALL BE UL LISTED ABC TYPE, WITH 10 LBS. CAPACITY. MOUNTING BRACKET QUICK RELEASE TYPE, REFER TO FLOOR PLAN FOR LOCATIONS. PROVIDE BLOCKING AS REQUIRED FOR MOUNTING.

CRAIG A. SCHNEIDER, AIA
ARCHITECT
417.862.0100
1756 East Linnhac, Suite 417
Springfield, Missouri 65804
e-mail: architect@esterjtschneider.com

PROJECT:
NEW O'REILLY AUTO PARTS STORE
1345 15TH STREET
PANAMA CITY, FL #1
INTERIOR SECTIONS & DETAILS

O'Reilly AUTO PARTS
CORPORATE OFFICES
233 SOUTH PATTERSON
SPRINGFIELD, MISSOURI 65802
(417) 862-2674 TELEPHONE

COMM #	4275
DATE:	1-4-19
REVISION	
DATE:	

A4.2