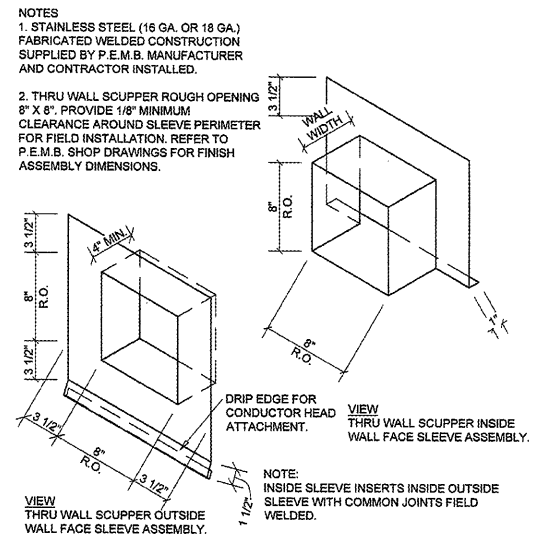
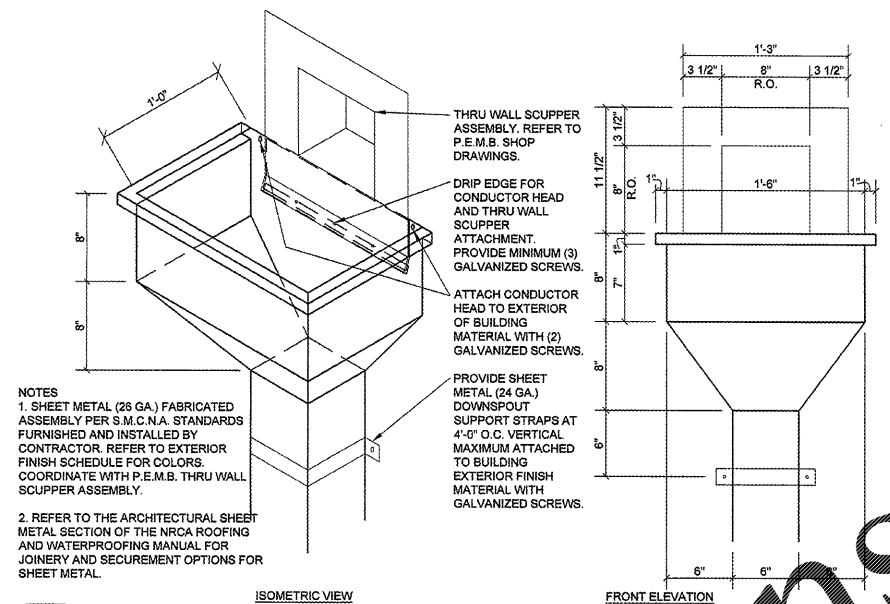


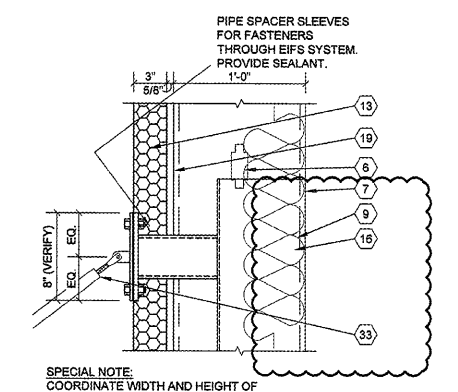
1 THRU WALL SCUPPER DETAIL
A3.3 SCALE: NOT TO SCALE



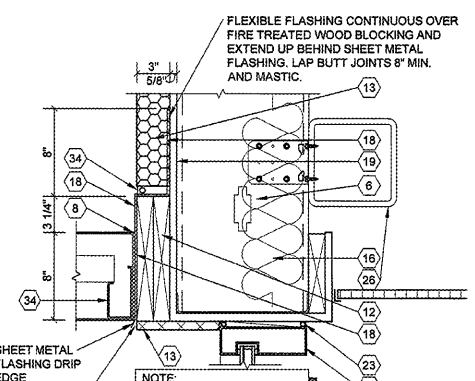
2 THRU WALL SCUPPER DETAIL
A3.3 SCALE: NOT TO SCALE



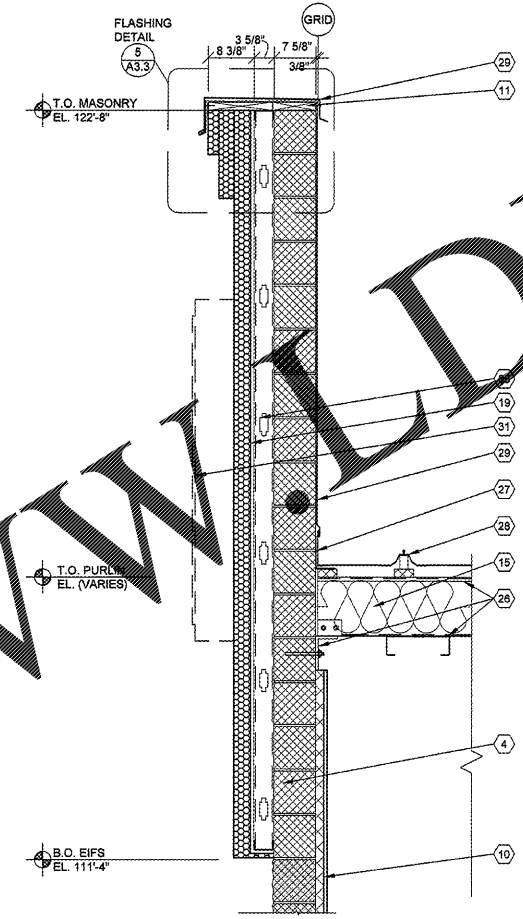
3 CONDUCTOR HEAD & DOWNSPOUT DETAIL
A3.3 SCALE: 1 1/2\"/>



6 DETAIL
A3.3 SCALE: 1 1/2\"/>



7 FLASHING DETAIL
A3.3 SCALE: 1 1/2\"/>



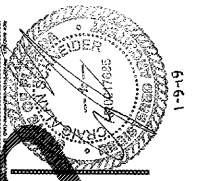
8 WALL SECTION
A3.3 SCALE: 3/4\"/>

- ### GENERAL NOTES
- (A) REFER TO PROJECT MANUAL AND SCOPE OF WORK SCHEDULE FOR ADDITIONAL REQUIREMENTS.
 - (B) REFER TO CIVIL, STRUCTURAL, MECHANICAL, ELECTRICAL, PLUMBING, AND PRE-ENGINEERED METAL BUILDING (P.E.M.B.) SHOP DRAWINGS FOR ADDITIONAL REQUIREMENTS.
 - (C) REFER TO INTERIOR AND EXTERIOR FINISH SCHEDULES FOR MATERIAL TYPES, COLORS AND FINISHES.
 - (D) DIMENSIONS ARE TO FACE OF CONCRETE, MASONRY, FRAMING, OR CENTER LINE OF STRUCTURE UNLESS OTHERWISE INDICATED.
 - (E) REFER TO EXTERIOR ELEVATIONS FOR MASONRY CONTROL JOINT LOCATIONS.

- ### KEY NOTES
- 1 FINISH LAWN, PAVEMENT OR SIDEWALK. SLOPE TO DRAIN AWAY FROM BUILDING. REFER TO CIVIL DRAWINGS.
 - 2 CONCRETE FLOOR SLAB. REFER TO STRUCTURAL DRAWINGS.
 - 3 SPLIT FACE CONCRETE MASONRY UNIT (CMU), (7 5/8\"/>

Order Plans

WWW.DI.LINE.COM



CRIG A. SCHNEIDER, AIA
ARCHITECT
1736 East Sunshine, Suite 417
Springfield, Missouri 65804
417.862.8038
Fax: 417.862.3265
e-mail: architect@esterfischneider.com

PROJECT:
NEW O'REILLY AUTO PARTS STORE
1345 15TH STREET
PANAMA CITY, FL #1
SECTIONS & DETAILS

O'Reilly AUTO PARTS
CORPORATE OFFICES
233 SOUTH PATTERSON
SPRINGFIELD, MISSOURI 65802
(417) 862-2874 TELEPHONE

| | |
|----------|--------|
| COMM # | 4275 |
| DATE: | 1-4-19 |
| REVISION | |
| DATE: | 1-9-19 |