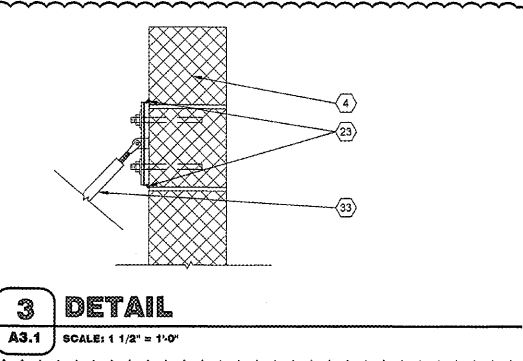
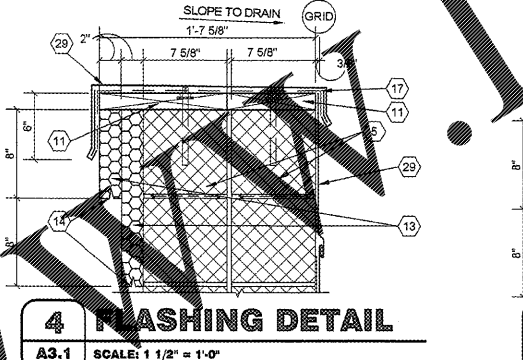


1 WALL SECTION
A3.1 SCALE: 3/4" = 1'-0"

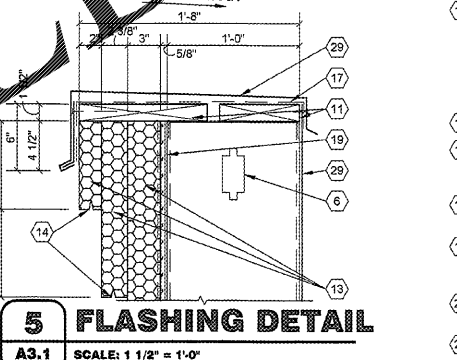
2 WALL SECTION
A3.1 SCALE: 3/4" = 1'-0"



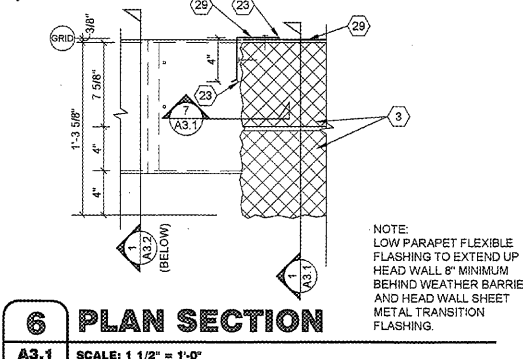
3 DETAIL
A3.1 SCALE: 1/2" = 1'-0"



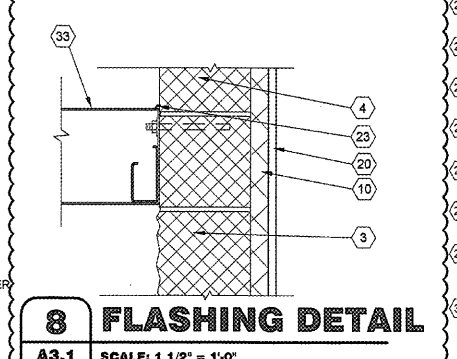
4 FLASHING DETAIL
A3.1 SCALE: 1/2" = 1'-0"



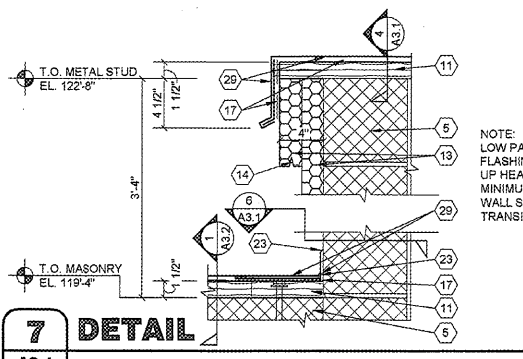
5 FLASHING DETAIL
A3.1 SCALE: 1/2" = 1'-0"



6 PLAN SECTION
A3.1 SCALE: 1/2" = 1'-0"



8 FLASHING DETAIL
A3.1 SCALE: 1/2" = 1'-0"



7 DETAIL
A3.1 SCALE: 1/2" = 1'-0"

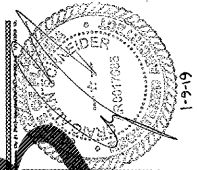
GENERAL NOTES

- (A) REFER TO PROJECT MANUAL AND SCOPE OF WORK SCHEDULE FOR ADDITIONAL REQUIREMENTS.
- (B) REFER TO CIVIL, STRUCTURAL, MECHANICAL, ELECTRICAL, PLUMBING, AND PRE-ENGINEERED METAL BUILDING (P.E.M.B.) SHOP DRAWINGS FOR ADDITIONAL REQUIREMENTS.
- (C) REFER TO INTERIOR AND EXTERIOR FINISH SCHEDULES FOR MATERIAL TYPES, COLORS AND FINISHES.
- (D) DIMENSIONS ARE TO FACE OF CONCRETE, MASONRY, FRAMING, OR CENTER LINE OF STRUCTURE UNLESS OTHERWISE INDICATED.
- (E) REFER TO EXTERIOR ELEVATIONS FOR MASONRY CONTROL JOINT LOCATIONS.

KEY NOTES

- (1) FINISH LAWN, PAVEMENT OR SIDEWALK. SLOPE TO DRAIN AWAY FROM BUILDING. REFER TO CIVIL DRAWINGS.
- (2) CONCRETE FLOOR SLAB. REFER TO STRUCTURAL DRAWINGS.
- (3) SPLIT FACE CONCRETE MASONRY UNIT (CMU), (7 5/8" X 7 5/8" X 15 5/8") IN RUNNING BOND WITH HORIZONTAL REINFORCEMENT AT 16" O.C. REFER TO STRUCTURAL DRAWINGS FOR VERTICAL REINFORCEMENT REQUIREMENTS.
- (4) SMOOTH FACE SINGLE SCORE CONCRETE MASONRY UNIT (CMU), (7 5/8" X 7 5/8" X 15 5/8") IN RUNNING BOND WITH HORIZONTAL REINFORCEMENT AT 16" O.C. REFER TO STRUCTURAL DRAWINGS FOR VERTICAL REINFORCEMENT REQUIREMENTS.
- (5) SMOOTH FACE CONCRETE MASONRY UNIT (CMU), (11 5/8" X 15 5/8") IN RUNNING BOND WITH HORIZONTAL REINFORCEMENT AT 16" O.C. REFER TO STRUCTURAL DRAWINGS FOR VERTICAL REINFORCEMENT REQUIREMENTS.
- (6) 12" COLD FORM METAL FRAMING. REFER TO STRUCTURAL DRAWINGS.
- (7) JOISTS PER STRUCTURAL PLANS.
- (8) SEALANT WITH BACKER ROD (WHERE REQUIRED) TYPICAL AT OPENING PERIMETER JOINTS.
- (9) COLD FORM METAL STUD FRAMING CLIP. REFER TO STRUCTURAL DRAWINGS.
- (10) 1 1/2" (25 GA.) COLD FORM METAL Z-FURRING FRAMING AT 24" O.C. AND POLYISOCYANURATE (R-9 MIN.) RIGID INSULATION BOARD WITH FOIL FACE VAPOR BARRIER.
- (11) FIRE TREATED 2X NAILER(S) CONTINUOUS. CUT TO FIT WALL WIDTH. ATTACHED TO METAL STUD FRAMING WITH #12 SCREWS AT 24" O.C. STAGGERED. ATTACHED TO CMU BOND BEAM WITH 1/2" DIA. ANCHORS AT 32" O.C.
- (12) FIRE TREATED 2X NAILER OR BLOCKING.
- (13) EXTERIOR INSULATION FINISH SYSTEM (EIFS) OVER RIGID INSULATION DRAINAGE BOARD IN THICKNESS INDICATED.
- (14) EXTERIOR INSULATION FINISH SYSTEM (EIFS) DRIP.
- (15) PRE-ENGINEERED METAL BUILDING ROOF INSULATION (R-36) LINER SYSTEM. (REFER TO SCOPE OF WORK SCHEDULE) VAPOR BARRIER OVER HIGH STRENGTH STEEL SUSPENSION STRAPS ATTACHED TO BOTTOM OF PRE-ENGINEERED METAL BUILDING ROOF PURLINS WITH (1) LAYER 8" (R-25) UN-FACED BATT INSULATION PARALLEL WITH ROOF PURLIN CAVITY AND (1) LAYER 3 1/2" (R-11) UN-FACED BATT INSULATION PERPENDICULAR OVER TOP OF ROOF PURLINS.
- (16) 6" (R-19) BATT INSULATION WITH FOIL FACE VAPOR BARRIER.
- (17) FLEXIBLE FLASHING CONTINUOUS TO LAP OVER NAILERS AND DOWN BEHIND CONTINUOUS CLEATS ON BOTH SIDES. LAP JOINTS 8" MINIMUM AND MASTIC.
- (18) SHEET METAL (24 GA.) FLASHING, COUNTER FLASHING, EDGES, DRIPS, TRIM, CLEATS AND ACCESSORIES.
- (19) 5/8" EXTERIOR FIBERGLASS REINFORCED SHEATHING WITH CONTINUOUS WEATHER BARRIER. REFER TO STRUCTURAL DRAWINGS FOR ATTACHMENT REQUIREMENTS.
- (20) 5/8" TYPE "X" GYPSUM BOARD. REFER TO INTERIOR WALL TYPES FOR ADDITIONAL REQUIREMENTS.
- (21) SUSPENDED ACOUSTICAL LAY - IN CEILING SYSTEM. REFER TO INTERIOR FINISH SCHEDULE FOR TYPES AND LOCATIONS.
- (22) FLOORING AND BASE. REFER TO INTERIOR FINISH SCHEDULE FOR TYPES AND LOCATIONS.
- (23) SEALANT WITH BACKER ROD (WHERE REQUIRED) TYPICAL AT OPENING PERIMETER JOINTS.
- (24) ALUMINUM WINDOW SYSTEM. REFER TO FLOOR PLAN AND WINDOW SCHEDULES FOR TYPES.
- (25) DOOR AND FRAME SYSTEM. REFER TO FLOOR PLAN AND SCHEDULES FOR TYPES.
- (26) PRE-ENGINEERED METAL BUILDING PRIMARY AND SECONDARY STRUCTURAL FRAMING SYSTEMS.
- (27) PRE-ENGINEERED METAL BUILDING TRANSITION SUPPORT PLATE ASSEMBLY.
- (28) PRE-ENGINEERED METAL BUILDING ROOF PANEL SYSTEM WITH THERMAL SPACER BLOCKS (R-6 MIN.).
- (29) PRE-ENGINEERED METAL BUILDING SHEET METAL FLASHING, COUNTER FLASHING, CONTINUOUS CLEATS, DRIPS CLOSURES, TRANSITIONS, COPINGS AND ACCESSORIES AS REQUIRED.
- (30) PRE-ENGINEERED METAL BUILDING STAINLESS STEEL INTERNAL GUTTER AND THRU WALL SCUPPER SYSTEM. REFER TO P.E.M.B. SHOP DRAWINGS FOR SIZES. CONTRACTOR TO PROVIDE PRE-MANUFACTURED ALUMINUM GUTTER SCREENS.
- (31) SURFACE MOUNTED WALL SIGN, OWNER FURNISHED AND INSTALLED. (REFER TO SCOPE OF WORK SCHEDULE) PROVIDE BACKING AND ELECTRICAL ROUGH-IN. REFER TO ELECTRICAL DRAWINGS.
- (32) SHEET METAL (24 GA.) CONDUCTOR HEAD AND DOWNSPOUT SYSTEM. REFER TO EXTERIOR ELEVATIONS FOR LOCATIONS. PROVIDE WALL MOUNTING BRACKETS AT 8'-0" O.C. MAXIMUM.
- (33) PREFABRICATED PROTECTIVE COVER SYSTEM WITH 1" DIA. TENSION RODS, ADJUSTABLE CLEAVES, AND PLATE FABRICATED CONNECTIONS INSTALLED PER MANUFACTURER'S RECOMMENDATIONS (SUBMIT SHOP DRAWINGS). REFER TO EXTERIOR ELEVATIONS FOR LOCATIONS OF TENSION RODS AND COORDINATION WITH SIGNS. REFER TO STRUCTURAL DRAWINGS FOR ADDITIONAL REQUIREMENTS.
- (34) SEALANT WITH CLOSED CELL BACKER ROD AND WEEP TUBES AT 24" O.C. INSTALL PER EIFS MANUFACTURER'S RECOMMENDATIONS.

Order Plans @ WWW.LDILLINE.COM



Craig A. Schneider, AIA
ARCHITECT
417.862.8100
417.862.3265
1736 East Sunshine, Suite 417
Springfield, Missouri 65804
e-mail: architect@esterstschneider.com

PROJECT:
NEW O'REILLY AUTO PARTS STORE
1345 15TH STREET
PANAMA CITY, FL #1
WALL SECTIONS

O'Reilly AUTO PARTS
CORPORATE OFFICES
233 SOUTH PATTERSON
SPRINGFIELD, MISSOURI 65802
(417) 862-2674 TELEPHONE

COMM #	4275
DATE:	1-4-19
REVISION	1-9-19
DATE:	

A3.1