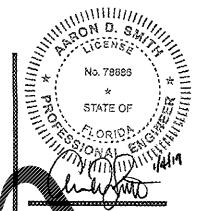


www.jsm.com



**CRIG A. SCHNEIDER, AIA**  
ARCHITECT

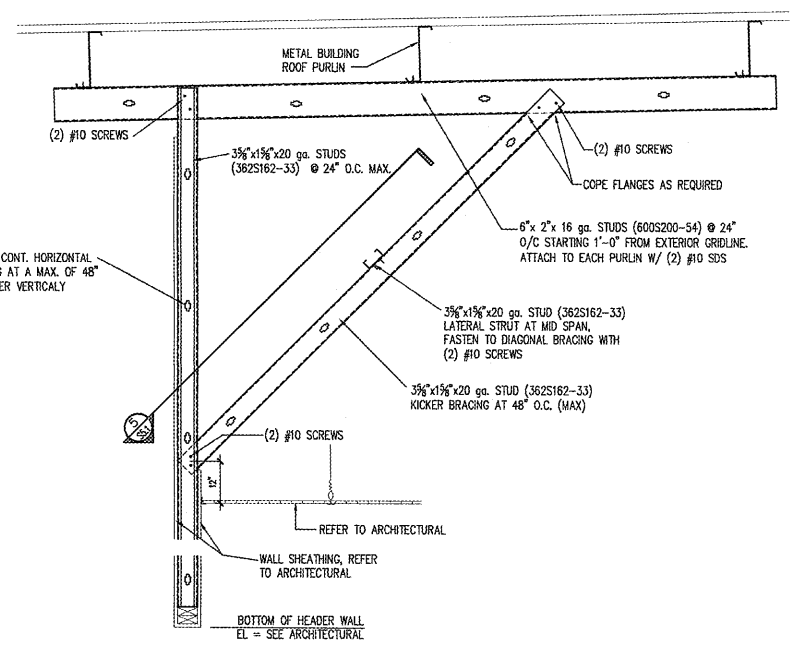
1736 East Sunshine, Suite 417  
Springfield, Missouri 65804  
417.862.0558  
417.862.3265  
architect@esterschneder.com

PROJECT:  
NEW O'REILLY AUTO PARTS STORE  
1345 15TH STREET  
PANAMA CITY, FL #1

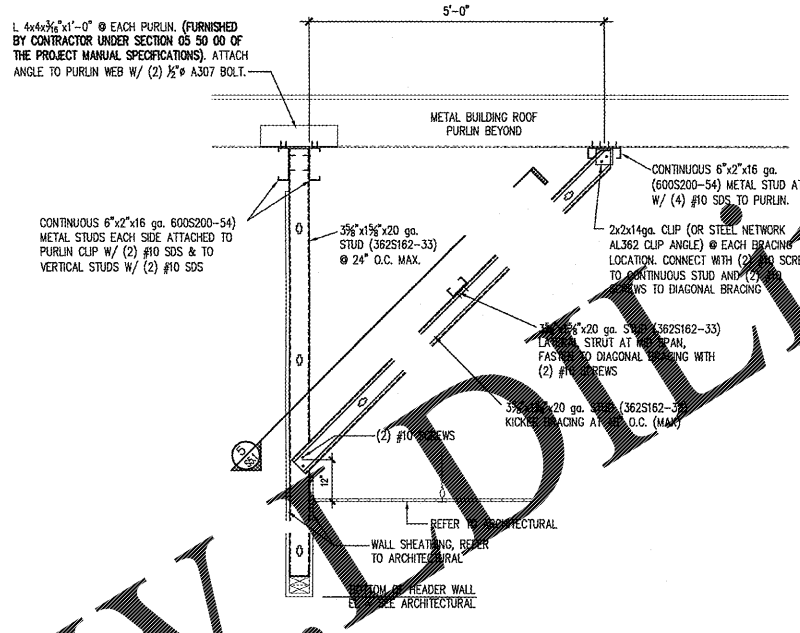
**O'Reilly AUTO PARTS**  
CORPORATE OFFICE  
200 SOUTH P. WITTENSON  
SPRINGFIELD, MISSOURI 65802  
(417) 862-2674 TELEPHONE

COMM # 4275  
DATE: 1-4-19  
REVISION  
DATE:

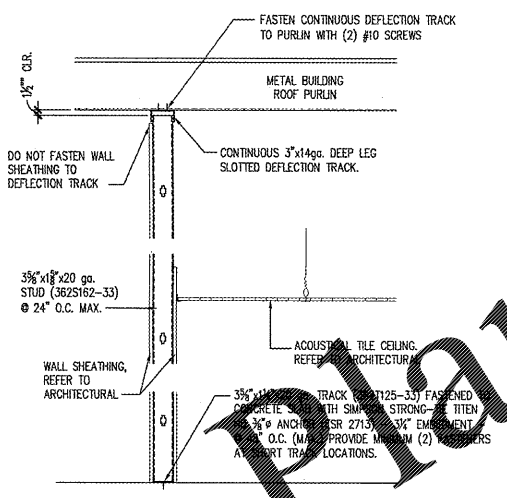
S5.1



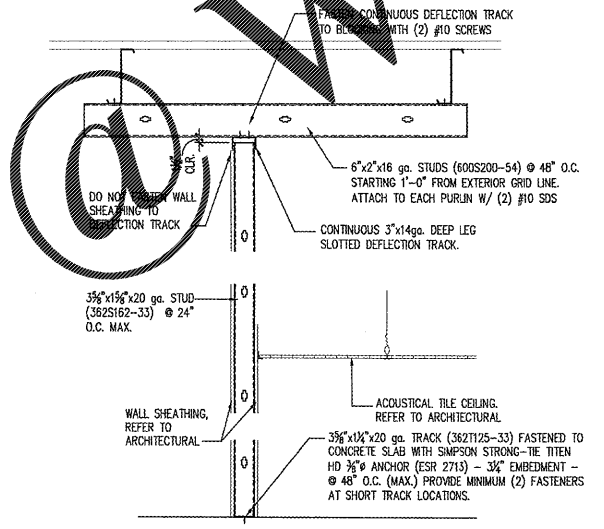
**1 SECTION**  
S5.1 SCALE: 3/4" = 1'-0"



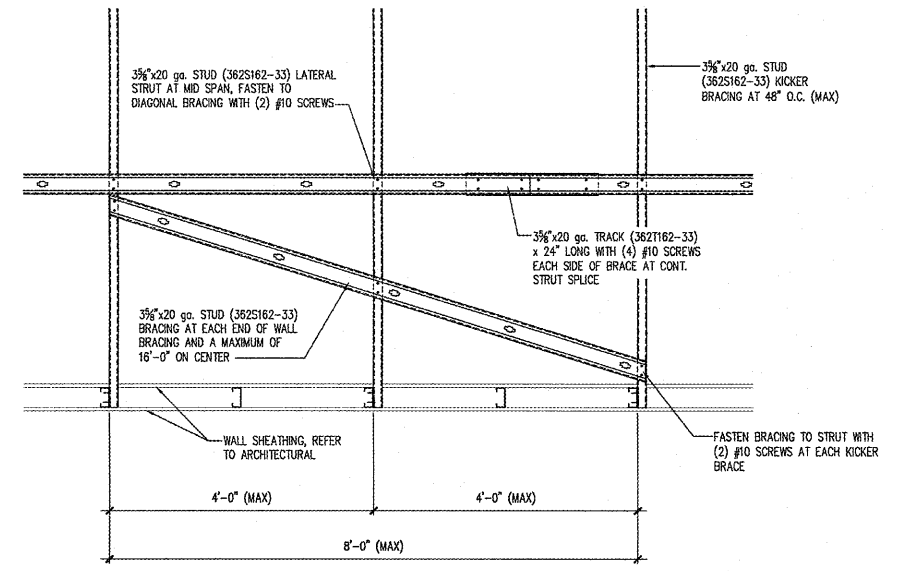
**2 SECTION**  
S5.1 SCALE: 3/4" = 1'-0"



**3 SECTION**  
S5.1 SCALE: 3/4" = 1'-0"



**4 SECTION**  
S5.1 SCALE: 3/4" = 1'-0"



**5 SECTION**  
S5.1 SCALE: 3/4" = 1'-0"

Order Plans



**JS Smith Consulting Engineers, P.C.**  
Florida State Certificate of Authorization No. 28287  
Aaron D. Smith P.E. 78886 Jeffrey S. Smith P.E. 34027  
P.O. Box 8102 \* JOPLIN, MISSOURI 64802  
PHONE: 417-624-0444 \* FAX: 417-624-0430