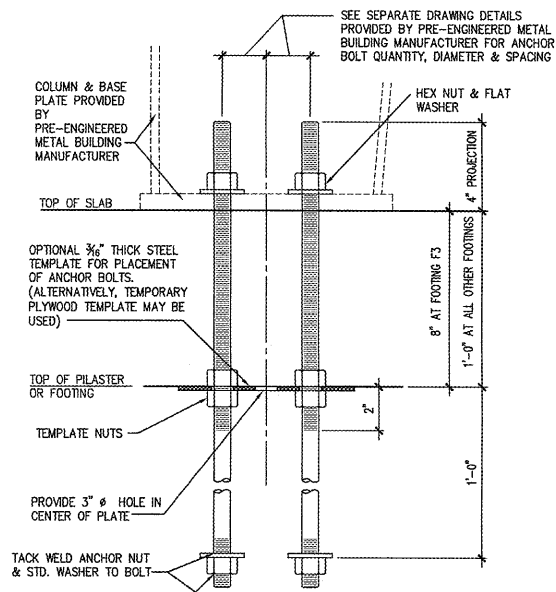
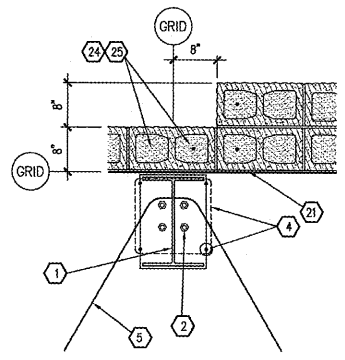


RECEIVED  
JAN 18 2019  
1736 E. SUNSHINE ST. SUITE 417  
SPRINGFIELD, MO

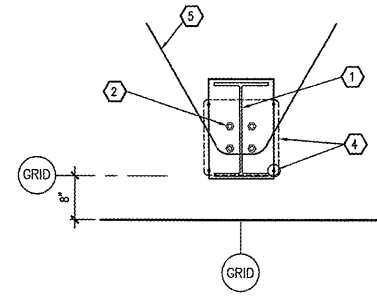


NOTE: ANCHOR BOLT ASSEMBLY TO BE PLACED IN FORM PRIOR TO POURING CONCRETE. BOLT MATERIAL MAY BE F1554 GR. 36, OR CONTINUOUSLY THREADED A36 ROD. ALL ANCHOR BOLTS SHALL BE CLEAN AND FREE OF ALL OIL, GREASE, ICE, ETC.

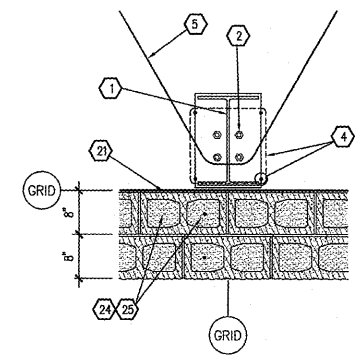
**1 ANCHOR ASSEMBLY**  
S3.2 SCALE: NONE



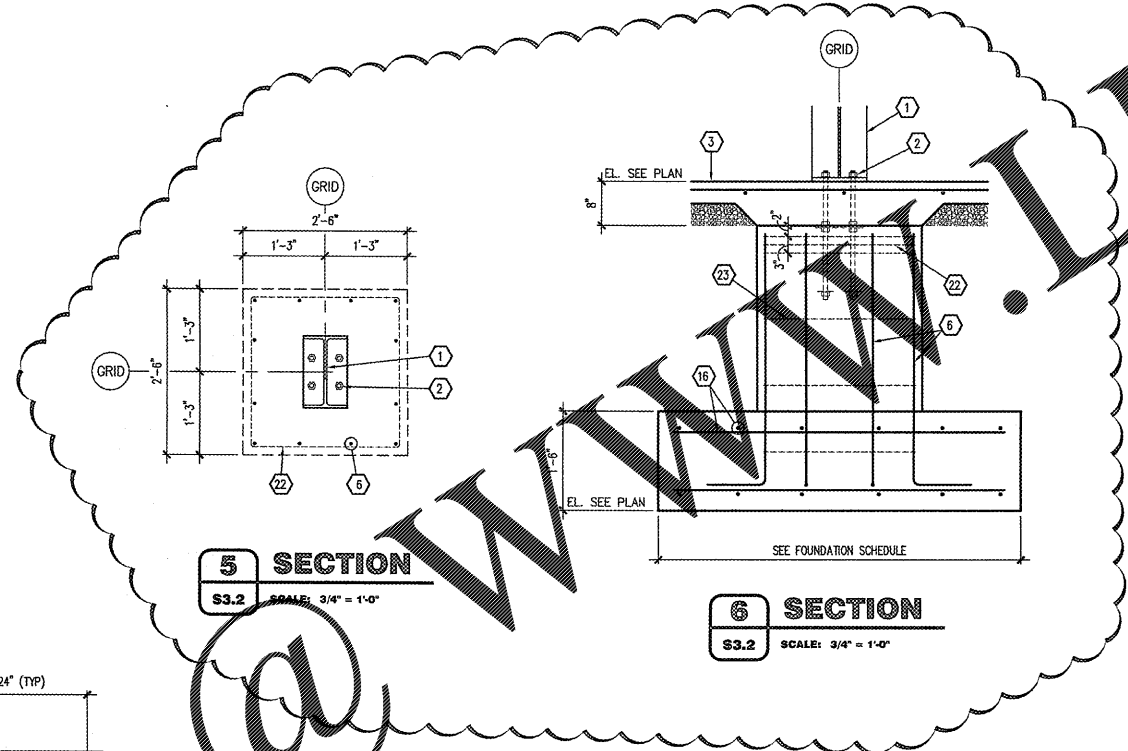
**2 DETAIL**  
S3.2 SCALE: 3/4" = 1'-0"



**3 DETAIL**  
S3.2 SCALE: 3/4" = 1'-0"

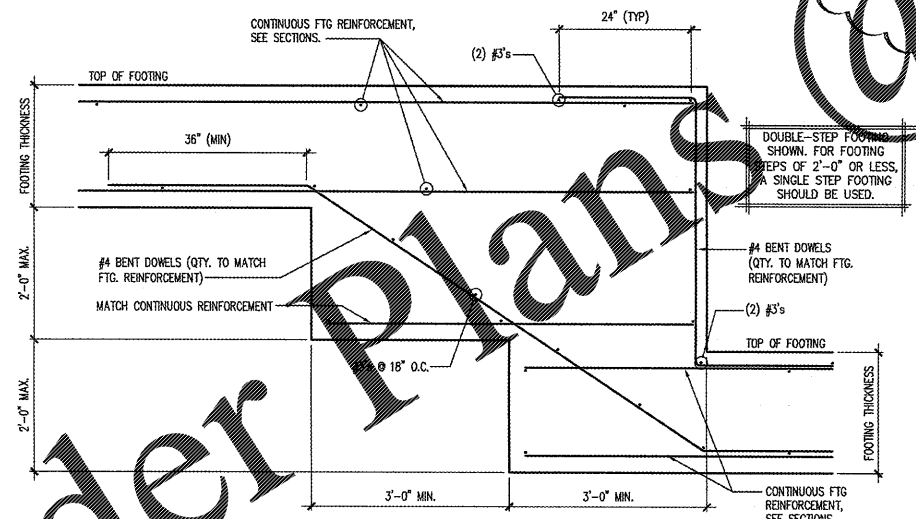


**4 DETAIL**  
S3.2 SCALE: 3/4" = 1'-0"



**5 SECTION**  
S3.2 SCALE: 3/4" = 1'-0"

**6 SECTION**  
S3.2 SCALE: 3/4" = 1'-0"

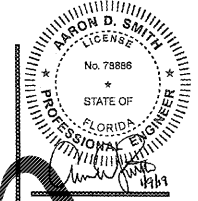


**7 TYPICAL STEPPED FOOTING**  
S3.2 SCALE: NONE (IF REQUIRED BY FIELD CONDITIONS)

**KEYNOTES**

- 1 PRE-ENGINEERED METAL BUILDING STRUCTURAL SYSTEM. SEE P.E.M.B. SHOP DRAWINGS FOR ADDITIONAL INFORMATION.
- 2 ANCHOR BOLTS. REFER TO FOUNDATION SCHEDULE AND PRE-ENGINEERED METAL BUILDING DRAWINGS FOR SIZE, QUANTITY AND PLAN LOCATION. SEE 1/S3.2 FOR TYPICAL SHOP FABRICATED ANCHOR ASSEMBLY.
- 3 INTERIOR CONCRETE SLAB SEE FOUNDATION PLAN.
- 4 SEE DETAIL 11/S3.1 FOR VERTICAL ANCHOR BOLT CONFINEMENT REINFORCEMENT.
- 5 #5 SLAB HAIRPIN - SEE DETAIL 7/S3.1
- 6 SEE FOUNDATION SCHEDULE FOR PILASTER REINFORCEMENT.
- 7 #3x5'-0" DOWEL @ 36" O.C. FIELD BEND AS SHOWN 24"
- 8 #4 CONTINUOUS
- 9 #3 DOWELS @ 48" O.C.
- 10 #3 STIRRUPS @ 48" O.C.
- 11 (3) #4's CONTINUOUS TOP & BOTTOM
- 12 EXTERIOR CONCRETE SLAB OR SIDEWALK SEE FOUNDATION PLAN.
- 13 AT EXTERIOR DOOR LOCATION, DRILL 6" DEEP HOLES FOR #4x1'-6" DOWELS @ 24" O.C. APPLY ADHESIVE AND INSTALL DOWELS. SEE ADHESIVE SYSTEM NOTES SHEET S1 FOR ADHESIVE ANCHOR INSTALLATION.
- 14 1/2" ISOLATION JOINT WITH ASPHALTIC FILLER & SEALANT
- 15 CONTINUOUS FOOTING REINFORCEMENT TO RUN THROUGH COLUMN FOUNDATIONS. SEE SECTION 1/S3.1 FOR REINFORCEMENT INFORMATION.
- 16 COLUMN FOOTING REINFORCEMENT SEE FOUNDATION SCHEDULE.
- 17 ADDITIONAL #4 TOP & BOTTOM
- 18 PAVING, SEE SITE DEVELOPMENT DRAWINGS FOR ADDITIONAL INFORMATION.
- 19 SEE GRADING PLAN FOR FINISHED GRADES.
- 20 STEEL BOLLARD SEE SITE PLAN.
- 21 3/8" ISOLATION JOINT WITH ASPHALTIC FILLER & SEALANT
- 22 (3) #3 TIES @ 12" O.C.
- 23 #3 TIES @ 12" O.C. (PROVIDE 2 TIES MINIMUM)
- 24 8" (NOM) SPLIT FACE OR SMOOTH FACE CMU. REFER TO CMU WALL NOTES ON SHEET S1 FOR WALL VERTICAL AND HORIZONTAL REINFORCEMENT.
- 25 HOOKED DOWEL PROJECTING INTO MASONRY WALL. MATCH SIZE AND SPACING OF WALL REINFORCEMENT, SEE STRUCTURAL NOTES SHEET S1.
- 26 #3 DOWELS @ 18" O.C.
- 27 4" TALL SPLIT FACE OR SMOOTH FACE CMU.
- 28 FIRST COURSE TO BE CONTINUOUS 8" (NOM) SPLIT FACE OR SMOOTH FACE BOND BEAM W/ (1) #5 CONTINUOUS

Order Plans @ www.LDILLIERS.com



**CRIG A. SCHNEIDER, AIA**  
ARCHITECT  
1736 East Sunshine, Suite 417  
Springfield, Missouri 65804  
417.862.0558  
417.862.3265  
e-mail: architect@esterlyschneider.com

PROJECT:  
NEW O'REILLY AUTO PARTS STORE  
1345 15TH STREET  
PANAMA CITY, FL #1  
**FOUNDATION DETAILS**

**O'Reilly AUTO PARTS**  
CORPORATE OFFICES  
ATTENTION: SPRINGFIELD, MISSOURI  
(417) 862-2674 TELEPHONE

COMM #	4275
DATE:	1-4-19
REVISION	
DATE:	1-9-19

**JS Smith Consulting Engineers, P.C.**  
Florida State Certificate of Authorization No. 28287  
Aaron D. Smith P.E. 78886 Jeffrey S. Smith P.E. 34027  
P.O. Box 8102 \* JOPLIN, MISSOURI 64802  
PHONE: 417-624-0444 \* FAX: 417-624-0430