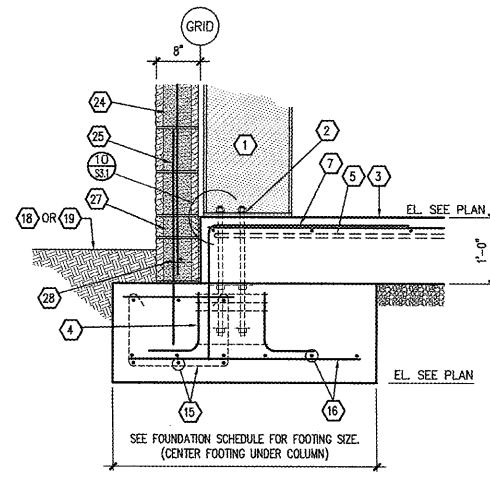
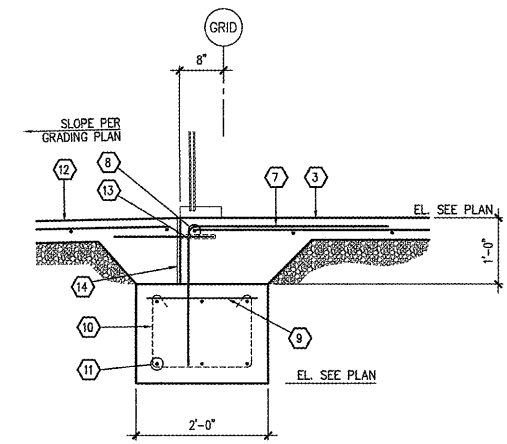


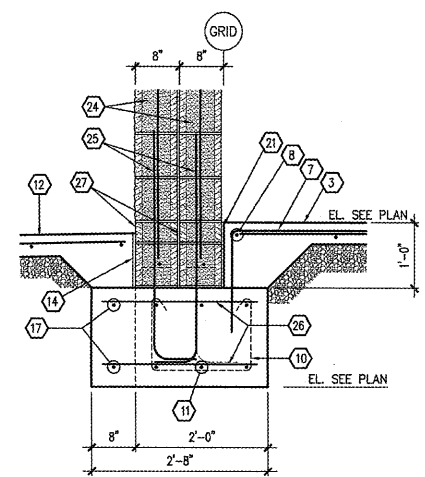
1 SECTION
 S3.1 SCALE: 3/4" = 1'-0"



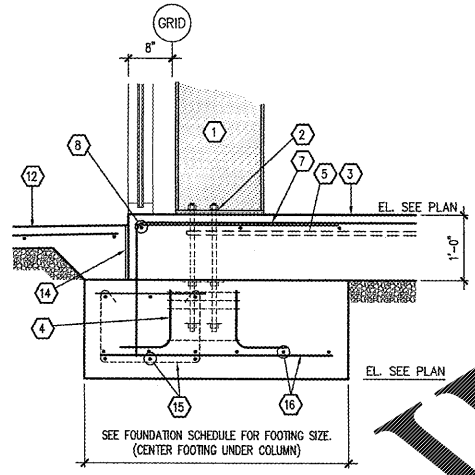
2 SECTION
 S3.1 SCALE: 3/4" = 1'-0"



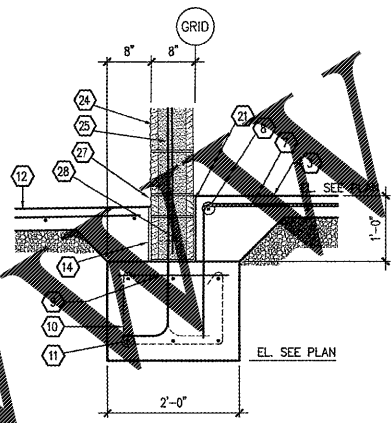
3 SECTION
 S3.1 SCALE: 3/4" = 1'-0"



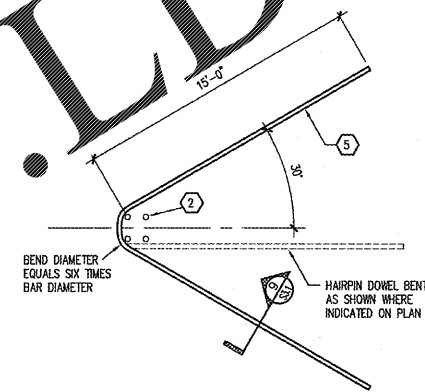
4 SECTION
 S3.1 SCALE: 3/4" = 1'-0"



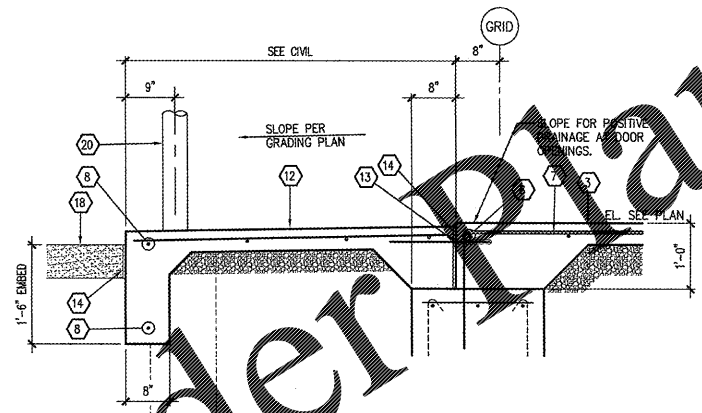
5 SECTION
 S3.1 SCALE: 3/4" = 1'-0"



6 SECTION
 S3.1 SCALE: 3/4" = 1'-0"

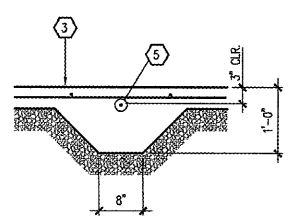


7 TYPICAL HAIRPIN DETAIL
 S3.1 SCALE: NONE

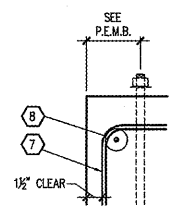


8 SECTION
 S3.1 SCALE: 3/4" = 1'-0"

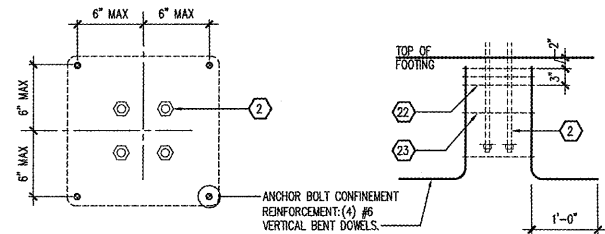
SEE SECTION 1/S3.1 FOR TYPICAL FOOTING AND REINFORCEMENT



9 SECTION
 S3.1 SCALE: 3/4" = 1'-0"



10 DETAIL
 S3.1 SCALE: 1 1/2" = 1'-0"

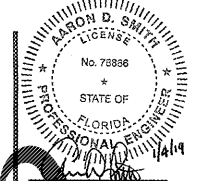


11 SECTION
 S3.1 SCALE: VARIES

KEYNOTES

- 1 PRE-ENGINEERED METAL BUILDING STRUCTURAL SYSTEM. SEE P.E.M.B. SHOP DRAWINGS FOR ADDITIONAL INFORMATION.
- 2 ANCHOR BOLTS. REFER TO FOUNDATION SCHEDULE AND PRE-ENGINEERED METAL BUILDING DRAWINGS FOR SIZE, QUANTITY AND PLAN LOCATION. SEE 1/S3.2 FOR TYPICAL SHOP FABRICATED ANCHOR ASSEMBLY.
- 3 INTERIOR CONCRETE SLAB SEE FOUNDATION PLAN.
- 4 SEE DETAIL 11/S3.1 FOR VERTICAL ANCHOR BOLT CONFINEMENT REINFORCEMENT
- 5 #5 SLAB HAIRPIN - SEE DETAIL 7/S3.1
- 6 SEE FOUNDATION SCHEDULE FOR PILASTER REINFORCEMENT.
- 7 #3x5'-0" DOWEL @ 36" O.C. FIELD BEND AS SHOWN
- 8 #4 CONTINUOUS
- 9 #3 DOWELS @ 48" O.C.
- 10 #3 STIRRUPS @ 48" O.C.
- 11 (3) #4's CONTINUOUS TOP & BOTTOM
- 12 EXTERIOR CONCRETE SLAB FOR SIDEWALK SEE FOUNDATION PLAN.
- 13 AT EXTERIOR DOOR LOCATIONS, DRILL 6" DEEP HOLES FOR #4x1'-6" DOWELS @ 24" O.C. APPLY ADHESIVE AND INSTALL DOWELS. SEE ADHESIVE SYSTEM NOTES SHEET S1 FOR ADHESIVE ANCHOR INSTALLATION
- 14 ISOLATION JOINT WITH ASPHALTIC FILLER & SEALANT
- 15 CONTINUOUS FOOTING REINFORCEMENT TO RUN THROUGH COLUMN FOUNDATIONS. SEE SECTION 1/S3.1 FOR REINFORCEMENT INFORMATION.
- 16 COLUMN FOOTING REINFORCEMENT SEE FOUNDATION SCHEDULE.
- 17 ADDITIONAL #4 TOP & BOTTOM
- 18 PAVING, SEE SITE DEVELOPMENT DRAWINGS FOR ADDITIONAL INFORMATION.
- 19 SEE GRADING PLAN FOR FINISHED GRADES.
- 20 STEEL BOLLARD SEE SITE PLAN.
- 21 3/8" ISOLATION JOINT WITH ASPHALTIC FILLER & SEALANT
- 22 (3) #3 TIES @ 12" O.C.
- 23 #3 TIES @ 12" O.C. (PROVIDE 2 TIES MINIMUM)
- 24 8" (NOM) SPLIT FACE OR SMOOTH FACE CMU. REFER TO CMU WALL NOTES ON SHEET S1 FOR WALL VERTICAL AND HORIZONTAL REINFORCEMENT.
- 25 HOOKED DOWEL PROJECTING INTO MASONRY WALL. MATCH SIZE AND SPACING OF WALL REINFORCEMENT, SEE STRUCTURAL NOTES SHEET S1.
- 26 #3 DOWELS @ 18" O.C.
- 27 4" TALL SPLIT FACE OR SMOOTH FACE CMU.
- 28 FIRST COURSE TO BE CONTINUOUS 8" (NOM) SPLIT FACE OR SMOOTH FACE BOND BEAM W/ (1) #5 CONTINUOUS

Order Plans @ WWW.LDILLIUS.COM



CRAIG A. SCHNEIDER, AIA
 ARCHITECT
 1736 East Sunshine, Suite 417
 Springfield, Missouri 65804
 417.862.0556
 Fax: 417.862.3265
 e-mail: architect@esterlyschneider.com

PROJECT:
 NEW O'REILLY AUTO PARTS STORE
 1345 15TH STREET
 PANAMA CITY, FL #1
FOUNDATION DETAILS

O'Reilly AUTO PARTS
 CORPORATE OFFICES
 1345 15TH STREET
 PANAMA CITY, MISSOURI 65802
 (417) 862-2874 TELEPHONE

COMM #	4275
DATE:	1-4-19
REVISION	
DATE:	

JS Smith Consulting Engineers, P.C.
 Florida State Certificate of Authorization No. 26287
 Aaron D. Smith P.E. 78886 Jeffrey S. Smith P.E. 34027
 P.O. Box 8102 * JOPLIN, MISSOURI 64602
 PHONE: 417-624-0444 * FAX: 417-624-0430