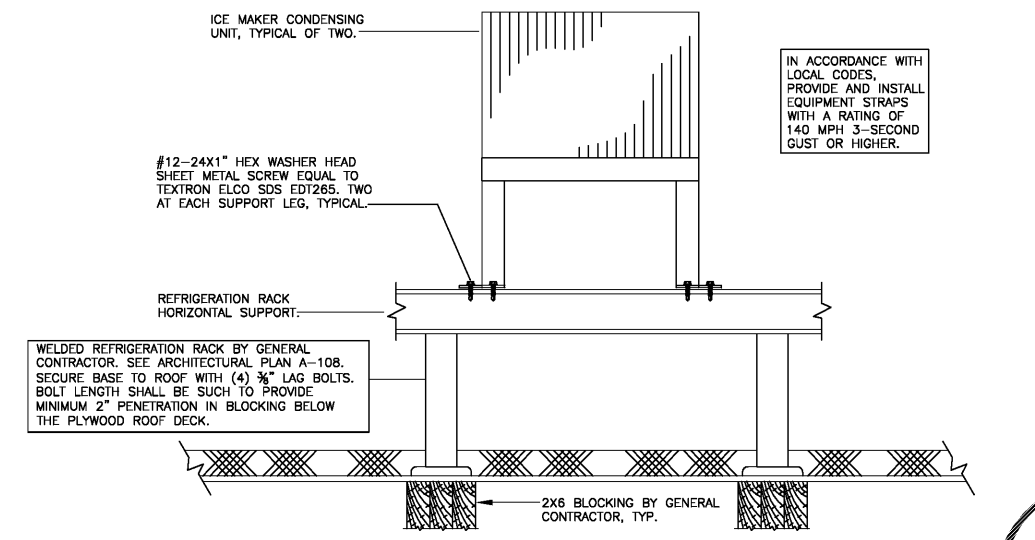
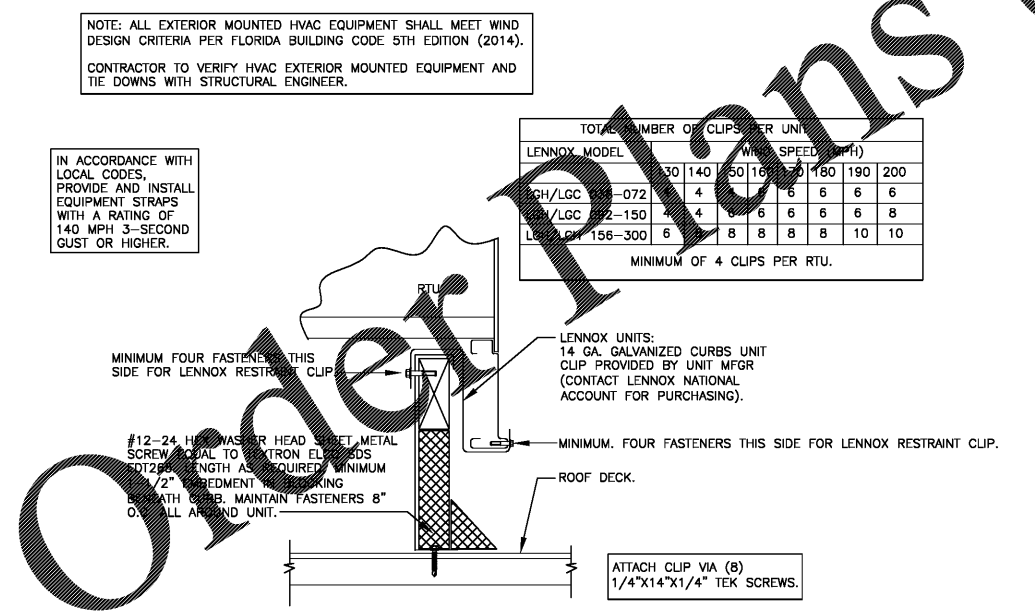


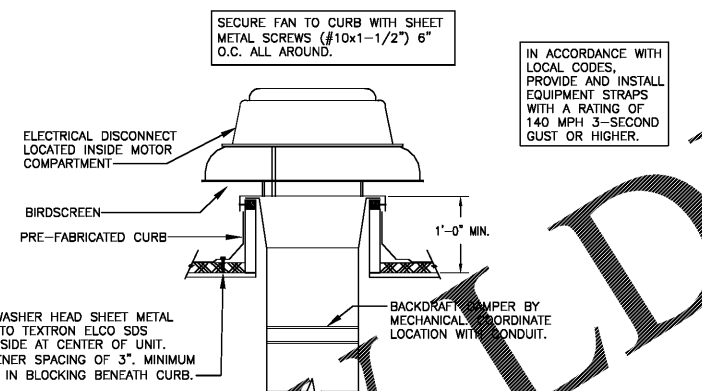
WALK-IN CONDENSING UNIT TIE DOWN DETAIL 10
Scale: NO SCALE M-501



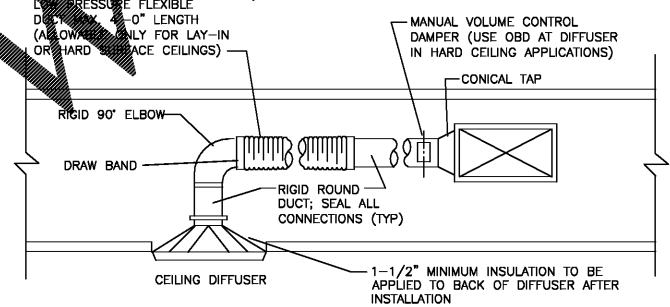
ICE MAKER CONDENSING UNIT TIE DOWN DETAIL 9
Scale: NO SCALE M-501



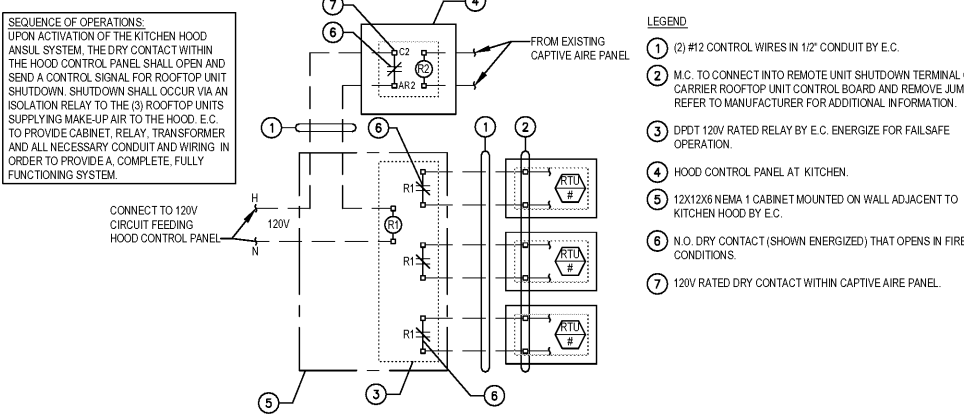
ROOFTOP EQUIPMENT TIE DOWN DETAIL 8
Scale: NO SCALE M-501



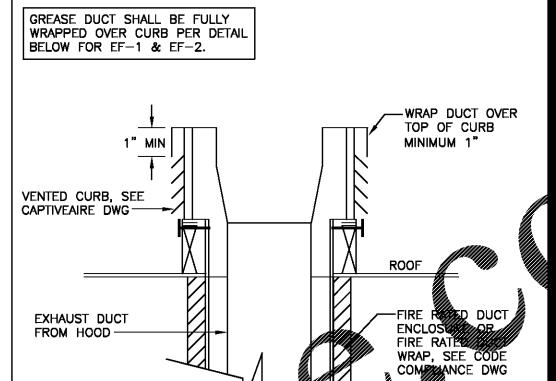
DOWNBLAST ROOF EXHAUST FAN DETAIL 7
Scale: NO SCALE M-501



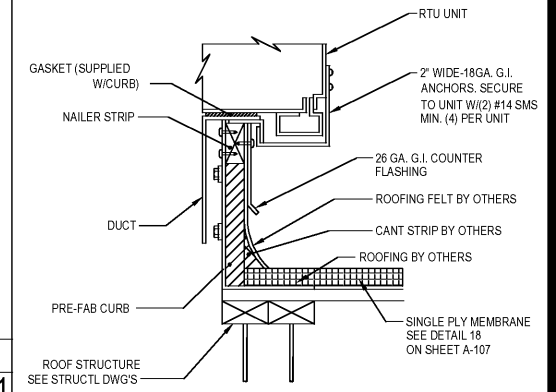
FLEX DUCT CONNECTION DETAIL 6
Scale: NO SCALE M-501



RTU CONTROL WIRING DIAGRAM 5
Scale: NO SCALE M-501



GREASE EXHAUST FAN DETAIL 3
Scale: NO SCALE M-501



RTU UNIT CURB DETAIL 2
Scale: NO SCALE M-501



PANDA EXPRESS, INC.
1683 Walnut Grove Ave.
Rosemead, California
91770
Telephone: 626.799.9898
Facsimile: 626.372.8288

All ideas, designs, arrangement and plans indicated or represented by this drawing are the property of Panda Express Inc. and were created for use on this specific project. None of these ideas, designs, arrangements or plans may be used by or disclosed to any person, firm, or corporation without the written permission of Panda Express Inc.

REVISIONS:

ISSUE DATE:

1st	ISSUE FOR BUILDING PERMIT	08-16-18
2nd	ISSUE FOR BID	11-29-18

DRAWN BY: RR

PANDA PROJECT # S8-19-D6558
ARCH PROJECT # 1804



PANDA EXPRESS
US 98 and PORTSIDE DRIVE
3868 GULF BREEZE PARKWAY
GULF BREEZE, FL
2200 TRUE - R1 - DAB 12

M-501

MECHANICAL DETAILS