

EXHAUST FAN INFORMATION - Job#3513979

FAN UNIT NO.	TAG	FAN UNIT MODEL #	CFM	ESP.	RPM	H.P.	B.H.P.	#	VOLT	FLA	DISCHARGE VELOCITY	WEIGHT (LBS.)	SONES
1		NCA16FA	3450	1.250	1223	2.000	1.3860	3	208	5.9	797 FPM	184	17.6
2		NCA16FA	3450	1.250	1223	2.000	1.3860	3	208	5.9	797 FPM	184	17.6
3		DD7FA	450	0.250	1128	0.250	0.0850	1	115	4.8		91	6.2

MUA FAN INFORMATION - Job#3513979

FAN UNIT NO.	TAG	FAN UNIT MODEL #	BLOWER	HOUSING	MIN CFM	DESIGN CFM	ESP.	RPM	H.P.	B.H.P.	#	VOLT	FLA	COOLING COIL ENTERING DB TEMP.	COOLING COIL ENTERING WB TEMP.	COOLING COIL LEAVING DB TEMP.	COOLING COIL LEAVING WB TEMP.	COOLING COIL TOTAL CAPACITY	COOLING COIL SENSIBLE CAPACITY	COOLING COIL LATENT CAPACITY	WEIGHT (LBS.)	SONES	BURNER EFFICIENCY(%)
4		A3-D500-G18	G18-PB	A3-D500	3500	5520	0.750	922	5.000	3.7620	3	208	15.0	95.0F	78.0F	81.6F	72.6F	120.0 MBH	77.9 MBH	42.1 MBH	1701	17.7	92

GAS FIRED MAKE-UP AIR UNITY(S)

FAN UNIT NO.	TAG	INPUT BTUs	OUTPUT BTUs	TEMP. RISE	REQUIRED INPUT GAS PRESSURE	GAS TYPE
4		407160	374587	65 deg F	7 in. w.c. - 14 in. w.c.	Natural

FAN OPTIONS

FAN UNIT NO.	TAG	OPTION (Qty. - Descr.)
1		1 - Grease Box 1 - Upblast Fan Wheel Access Port 1 - Miami Dade Certification - NDA-1 Aluminum Upblast
2		1 - Grease Box 1 - Upblast Fan Wheel Access Port 1 - Miami Dade Certification - NDA-1 Aluminum Upblast
3		1 - I 15-BDD Damper 1 - Miami Dade Certification - NDA-1 Aluminum Downblast II. 1 - AC Interlock Relay - 24VAC Coil
4		1 - Low Fire Start 1 - Inlet Pressure Gauge, 0-35" 1 - Manifold Pressure Gauge, -5 to 15" wc 1 - Motorized Backdraft Damper for A3-D Housing 1 - DX Coil Module -3,000 to 7,000 CFM (10 Ton 2 Circuit Coil) 1 - Downturn Plenum for Size 3 DX Coil Module 1 - 10 Ton, 2 Circuit, 208/230V 3 Phase Condenser Kit. 4-6 week lead time. 1 - Curb Duct Hanger 1 - Cooling Thermostat and Relay (Not req for evap) 1 - DXN 3-1 Refrigeration Parts Kit - R410A 1 - VAV Package w/ Manual Control (VFD Included) 1 - VFD factory mounted and wired in commercial control vestibule for tempered supply fan. 1 - Miami Dade Certification - NDA-2 Supply

FAN ACCESSORIES

FAN UNIT NO.	TAG	EXHAUST				SUPPLY		
		GREASE CUP	GRAVITY DAMPER	WALL MOUNT	SIDE DISCHARGE	GRAVITY DAMPER	MOTORIZED DAMPER	WALL MOUNT
1		YES						
2		YES						
3		YES						
4							YES	

CURB ASSEMBLIES

NO.	DN FAN	WEIGHT	ITEM	SIZE
1	# 1	53 LBS	Curb	26.500"W x 26.500"L x 24.000"H Vented Hinged 16 Gauge
2	# 2	53 LBS	Curb	26.500"W x 26.500"L x 24.000"H Vented Hinged 16 Gauge
3	# 3	18 LBS	Curb	19.500"W x 19.500"L x 12.000"H
4	# 4	136 LBS	Curb	35.000"W x 84.000"L x 20.000"H Insulated 16 Gauge
	# 4		Roll	6.000"W x 35.000"L x 20.000"H

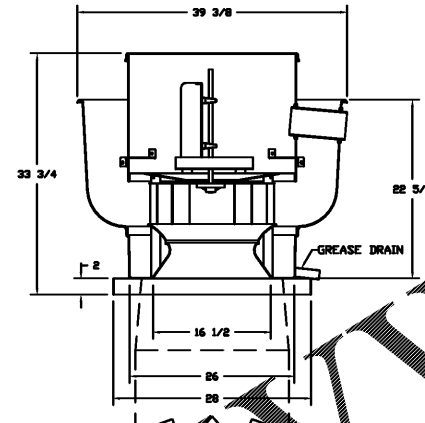
NOTE: UNLESS OTHERWISE STATED, PANDA RESTAURANT GROUP SHALL PROVIDE ALL EQUIPMENT ON THE FOLLOWING CAPTIVEAIRE SHEETS, INCLUDING HOODS, FIRE SYTEM, EXHAUST FANS, SUPPLY FAN, BATHROOM FAN AND ELECTRICAL INTERLOCK PACKAGE.

ANSUL GAS VALVE:

THE ANSUL GAS VALVE IS PROVIDED BY CAPTIVEAIRE SYSTEMS. CONTACT OUR OFFICE WITH THE VALVE SIZE IN ADVANCE OF WHEN IT IS NEEDED ON SITE.

FOR QUESTIONS CALL THE CAPTIVEAIRE SOUTHERN CALIFORNIA OFFICE
3100 HILLWAY CENTER
2915 HILLWAY SUITE C106
COSTA MESA, CA 92626
TEL: 714-967-7700 FAX: 714-967-7700 REG@CAPTIVEAIRE.COM

FANS #1, #2 - NCA16FA EXHAUST FAN



FEATURES:

- ROOF MOUNTED FANS
- RESTAURANT MODEL
- UL705 AND UL768 AND ULC-3645
- AMCA SOUND AND AIR CERTIFIED
- WIRING FROM MOTOR TO DISCONNECT SWITCH
- WEATHERPROOF DISCONNECT
- HIGH HEAT OPERATION 300°F (149°C)
- GREASE CLASSIFICATION TESTING

NORMAL TEMPERATURE TEST EXHAUST FAN MUST OPERATE CONTINUOUSLY WHILE EXHAUSTING AIR AT 300°F (149°C) UNTIL ALL FAN PARTS REACH THERMAL EQUILIBRIUM, AND WITHOUT ANY DEGRADING EFFECTS TO THE FAN WHICH WOULD CAUSE UNSAFE OPERATION.

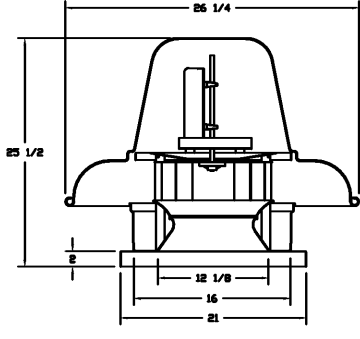
ABNORMAL FLARE-UP TEST EXHAUST FAN MUST OPERATE CONTINUOUSLY WHILE EXHAUSTING BURNING GREASE VAPORS AT 600°C (1112°F) FOR A PERIOD OF 30 MINUTES WITHOUT THE FAN BECOMING DAMAGED TO ANY EXTENT THAT COULD CAUSE UNSAFE OPERATION.

OPTIONS:

- GREASE BOX
- UPBLAST FAN WHEEL ACCESS PORT
- MIAMI DADE CERTIFICATION - NDA-1 ALUMINUM UPBLAST

SEE WORK BETWEEN EXHAUST RISER ON HOOD AND FAN (BY OTHERS)

FAN #3 DD7FA - EXHAUST FAN

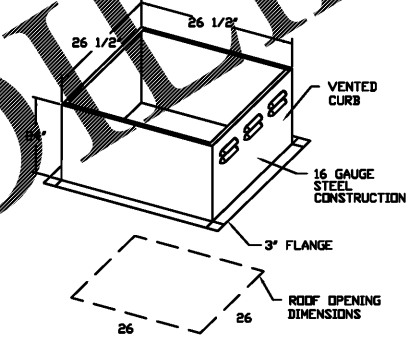


FEATURES:

- ROOF MOUNTED FANS
- UL705
- AMCA SOUND AND AIR CERTIFIED
- WIRING FROM MOTOR TO DISCONNECT SWITCH
- DISCONNECT SWITCH
- STANDARD BIRD SCREEN

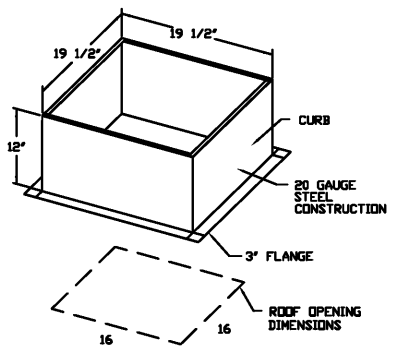
OPTIONS:

- I 15-BDD DAMPER
- MIAMI DADE CERTIFICATION - NDA-1 ALUMINUM DOWNBLAST II.



PITCHED CURBS ARE AVAILABLE FOR PITCHED ROOFS.

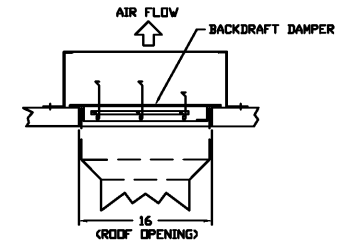
SPECIFY PITCH EXAMPLE: 7/12 PITCH = 30° SLOPE



PITCHED CURBS ARE AVAILABLE FOR PITCHED ROOFS.

SPECIFY PITCH EXAMPLE: 7/12 PITCH = 30° SLOPE

BACKDRAFT DAMPER INSTALLATION



REVISIONS

NO.	DATE	DESCRIPTION

ISSUE DATE:

NO.	DATE	DESCRIPTION
1st	08-16-18	ISSUE FOR BUILDING PERMIT
2nd	11-29-18	ISSUE FOR BID

REVISIONS:

ISSUE DATE:

1st 08-16-18 ISSUE FOR BUILDING PERMIT

2nd 11-29-18 ISSUE FOR BID

DRAWN BY: RR

PANDA PROJECT # S8-19-D6558

ARCH PROJECT # 1804

Project No. PE1804

Kurzynske & Associates
CONSULTING ENGINEERS
2900 Lebanon Pike Suite 201
Nashville, Tennessee 37214

Panda Express - Gulf Breeze FL (S8-19-D6558)
GULF BREEZE, FL, 32561

DATE: 8/15/2018
DWG. NO.: 3513979
DRAWN BY: AHJ-86
SCALE: 3/4" = 1'-0"
MASTER DRAWING

SHEET NO. 3



PANDA EXPRESS, INC.
1683 Walnut Grove Ave.
Rosemead, California
91770
Telephone: 626.799.9898
Facsimile: 626.372.8288

All ideas, designs, arrangement and plans indicated or represented by this drawing are the property of Panda Express Inc. and were created for use on this specific project. None of these ideas, designs, arrangements or plans may be used by or disclosed to any person, firm, or corporation without the written permission of Panda Express Inc.

REVISIONS:

ISSUE DATE:

1st 08-16-18 ISSUE FOR BUILDING PERMIT

2nd 11-29-18 ISSUE FOR BID

DRAWN BY: RR

PANDA PROJECT # S8-19-D6558

ARCH PROJECT # 1804

Project No. PE1804

Kurzynske & Associates
CONSULTING ENGINEERS
2900 Lebanon Pike Suite 201
Nashville, Tennessee 37214

PANDA EXPRESS
US 98 and PORTSIDE DRIVE
3868 GULF BREEZE PARKWAY
GULF BREEZE, FL
2200 TRUE - R1 - DAB 12

M-402

HOOD DETAIL PLAN