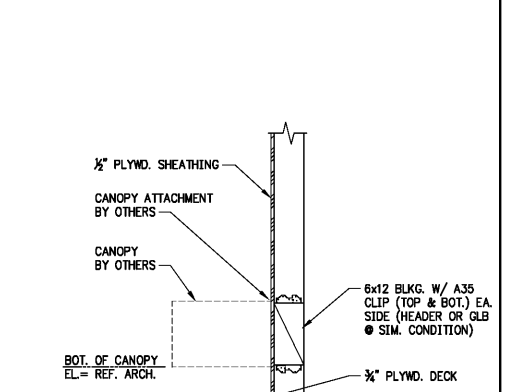
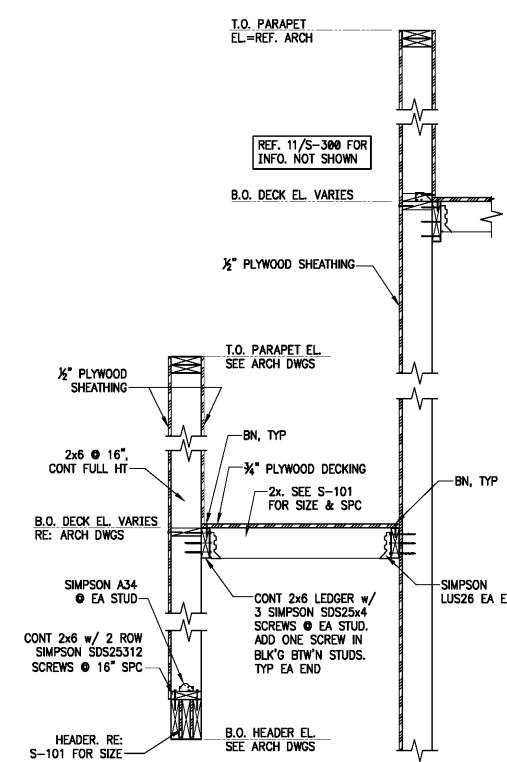


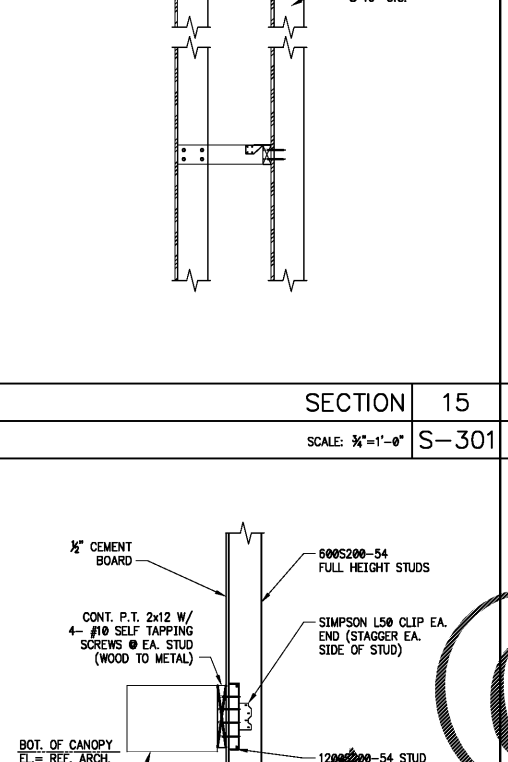
SECTION 20
SCALE: 3/8"=1'-0" S-301



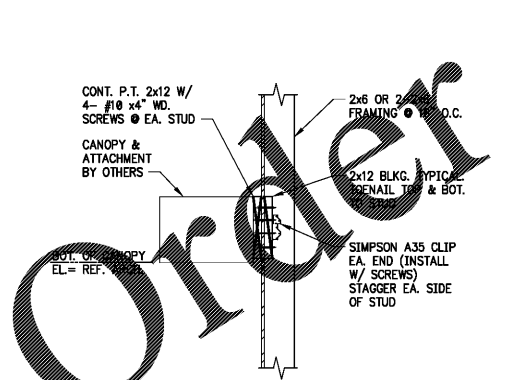
SECTION 15
SCALE: 3/8"=1'-0" S-301



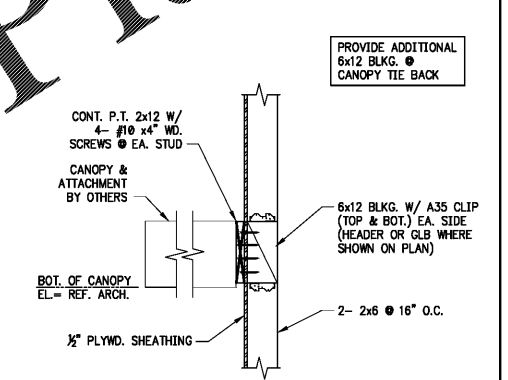
SECTION 18
SCALE: 3/8"=1'-0" S-301



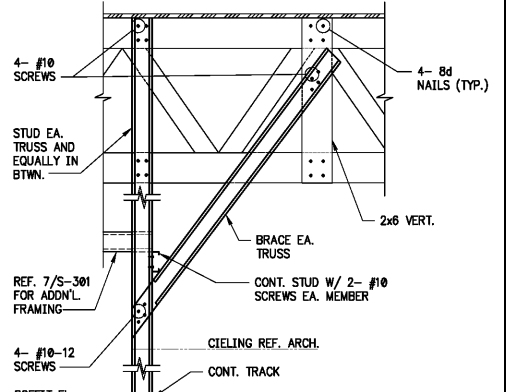
SECTION 14
SCALE: 3/8"=1'-0" S-301



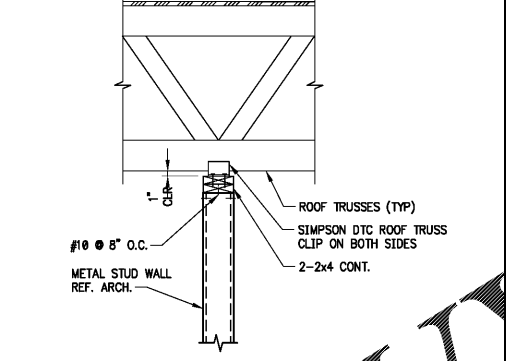
SECTION 17
SCALE: 3/8"=1'-0" S-301



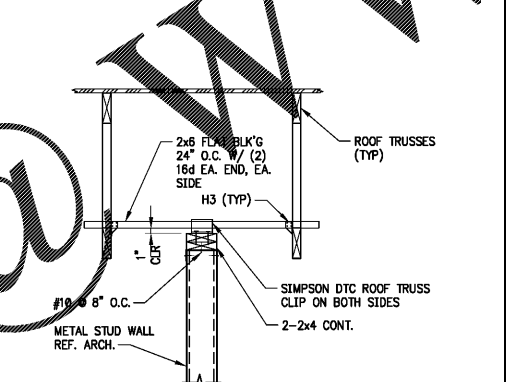
SECTION 13
SCALE: 3/8"=1'-0" S-301



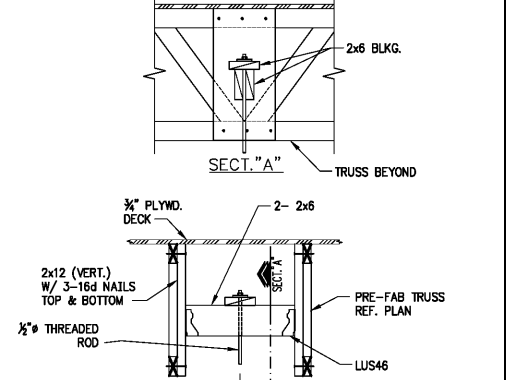
SECTION 12
SCALE: 3/8"=1'-0" S-301



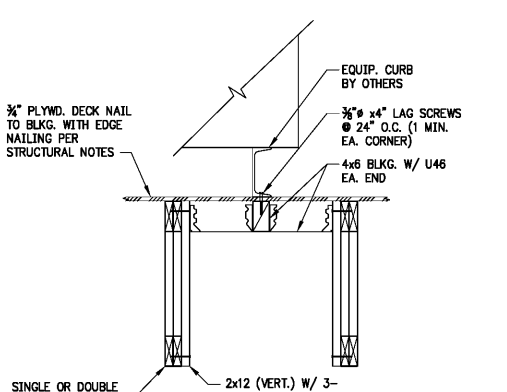
SECTION 11
SCALE: 3/8"=1'-0" S-301



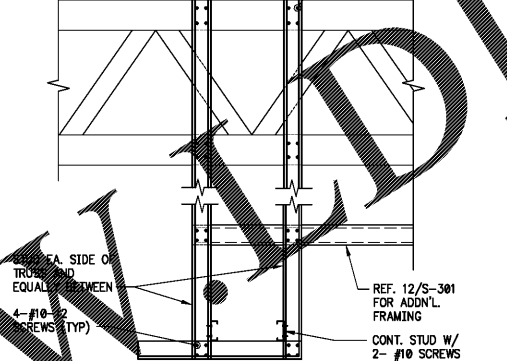
SECTION 10
SCALE: 3/8"=1'-0" S-301



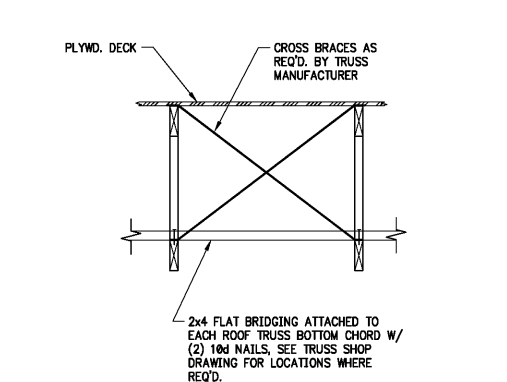
SECTION 9
SCALE: 3/8"=1'-0" S-301



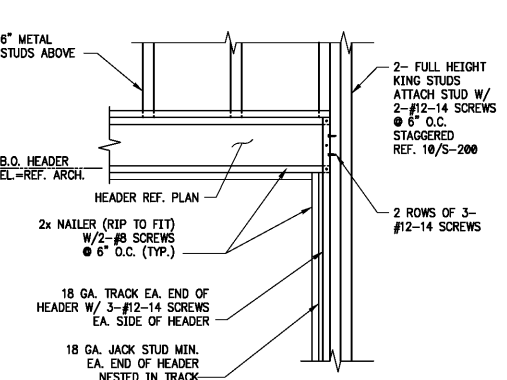
SECTION 8
SCALE: 3/8"=1'-0" S-301



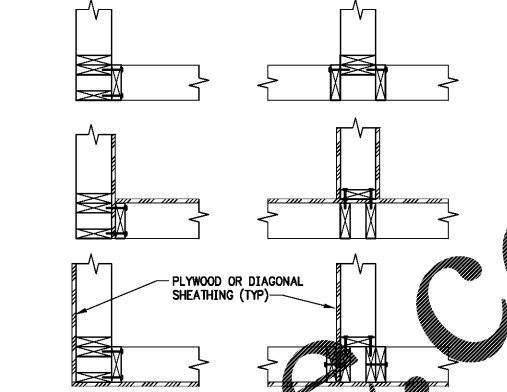
SECTION 7
SCALE: 3/8"=1'-0" S-301



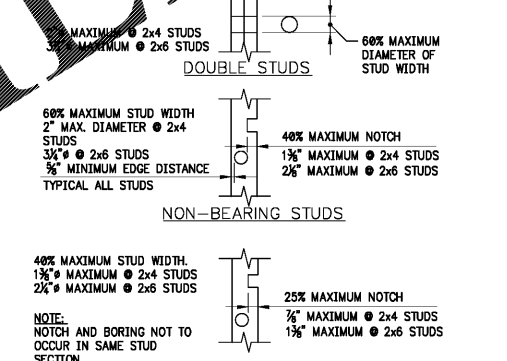
SECTION 6
SCALE: 3/8"=1'-0" S-301



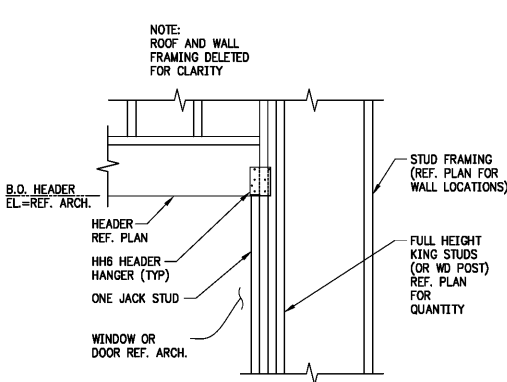
SECTION 5
SCALE: 3/8"=1'-0" S-301



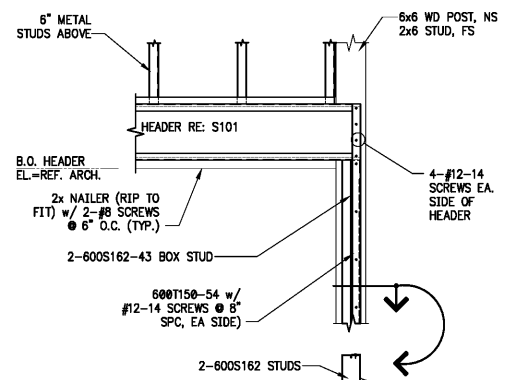
SECTION 4
SCALE: 3/8"=1'-0" S-301



SECTION 3
SCALE: N.T.S. S-301



SECTION 2
SCALE: 3/8"=1'-0" S-301



SECTION 1
SCALE: 3/8"=1'-0" S-301



PANDA EXPRESS, INC.
1683 Walnut Grove Ave.
Rosemead, California
91770
Telephone: 626.799.9898
Facsimile: 626.372.8288

All ideas, designs, arrangement and plans indicated or represented by this drawing are the property of Panda Express Inc. and were created for use on this specific project. None of these ideas, designs, arrangements or plans may be used by or disclosed to any person, firm, or corporation without the written permission of Panda Express Inc.

REVISIONS:

ISSUE DATE:

1st	ISSUE FOR BUILDING PERMIT	08-16-18
2nd	ISSUE FOR BID	11-29-18

DRAWN BY: EMC
PANDA PROJECT #: S8-19-D6558
ARCH PROJECT #: 1804

EMC
STRUCTURAL ENGINEERS, P.C.
4525 Trousdale Drive
Nashville, Tennessee 37204
(615) 781-8199
(615) 781-4088 (fax)

EMC Project No. 18254



PANDA EXPRESS
US 98 and PORTSIDE DRIVE
3868 GULF BREEZE PARKWAY
GULF BREEZE, FL
2200 TRUE - R1 - DAB 12

S-301

TYPICAL FRAMING DETAILS & SECTIONS