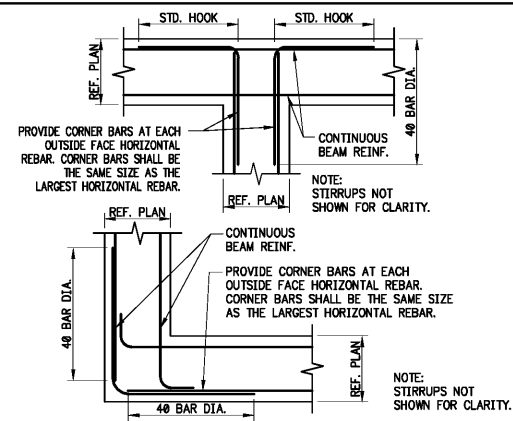
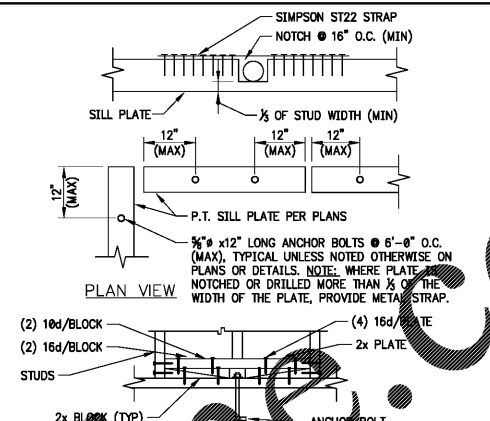


Order Plans



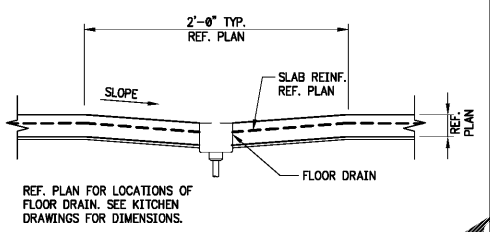
TYPICAL CORNER BAR 8

SCALE: N.T.S. S-201



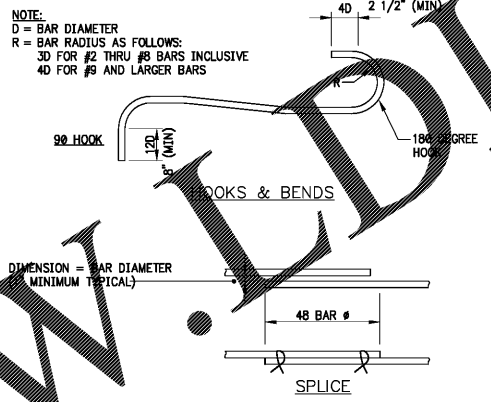
TYPICAL SILL PLATE BOLTS 4

SCALE: N.T.S. S-201



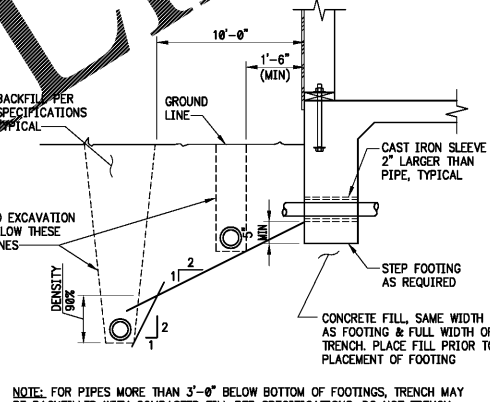
TYPICAL FLOOR DRAIN 11

SCALE: N.T.S. S-201



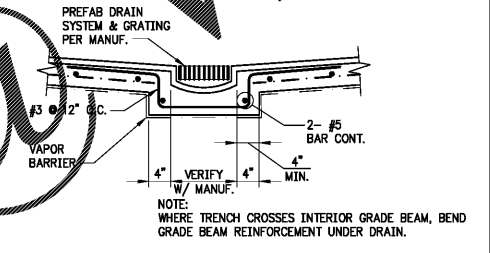
TYPICAL REINFORCING BAR 7

SCALE: N.T.S. S-201



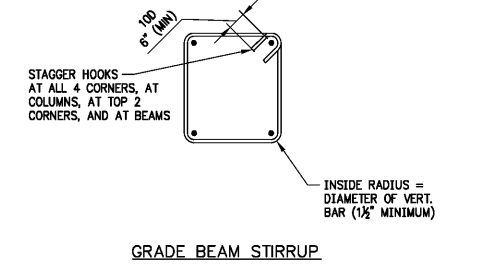
TYPICAL PIPE & TRENCH DETAIL 3

SCALE: N.T.S. S-201



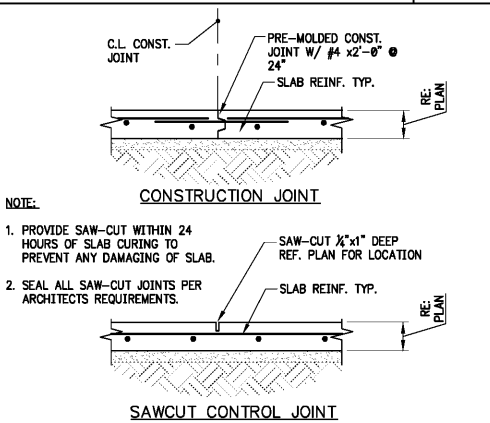
TYPICAL TRENCH DRAIN 10

SCALE: 3/4"=1'-0" S-201



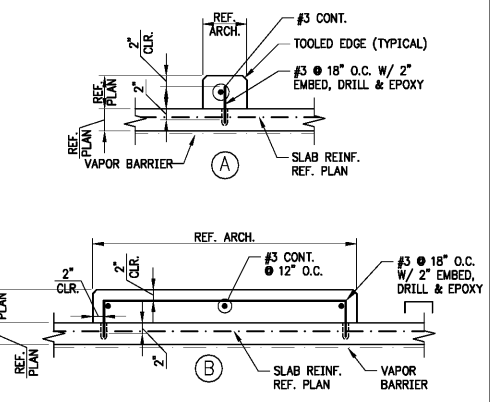
TYPICAL TIES & STIRRUPS 6

SCALE: N.T.S. S-201



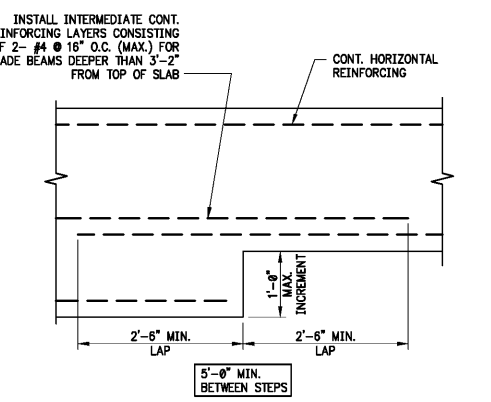
TYPICAL JOINT DETAIL 2

SCALE: NONE S-201



TYPICAL CURB 9

SCALE: 3/4"=1'-0" S-201



TYPICAL STEP FOOTING 5

SCALE: N.T.S. S-201



PANDA EXPRESS, INC.  
1683 Walnut Grove Ave.  
Rosemead, California 91770  
Telephone: 626.799.9898  
Facsimile: 626.372.8288

All ideas, designs, arrangement and plans indicated or represented by this drawing are the property of Panda Express Inc. and were created for use on this specific project. None of these ideas, designs, arrangements or plans may be used by or disclosed to any person, firm, or corporation without the written permission of Panda Express Inc.

REVISIONS:


ISSUE DATE:

1st	ISSUE FOR BUILDING PERMIT	08-16-18
2nd	ISSUE FOR BID	11-29-18

DRAWN BY: EMC  
PANDA PROJECT #: S8-19-D6558  
ARCH PROJECT #: 1804

**EMC**  
STRUCTURAL ENGINEERS, P.C.  
4525 Trousdale Drive  
Nashville, Tennessee 37204  
(615) 781-8199  
(615) 781-4088 (fax)

EMC Project No. 181254



PANDA EXPRESS  
US 98 and PORTSIDE DRIVE  
3868 GULF BREEZE PARKWAY  
GULF BREEZE, FL

2200 TRUE - R1 - DAB 12

S-201

TYPICAL FOUNDATION DETAILS