



PANDA EXPRESS, INC.
1683 Walnut Grove Ave.
Rosemead, California
91770
Telephone: 626.799.9898
Facsimile: 626.372.8288

All ideas, designs, arrangement and plans indicated or represented by this drawing are the property of Panda Express Inc. and were created for use on this specific project. None of these ideas, designs, arrangements or plans may be used by or disclosed to any person, firm, or corporation without the written permission of Panda Express Inc.

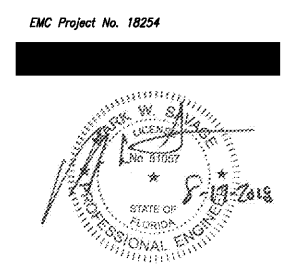
REVISIONS:

ISSUE DATE:

1st	ISSUE FOR BUILDING PERMIT	08-16-18
2nd	ISSUE FOR BID	11-29-18

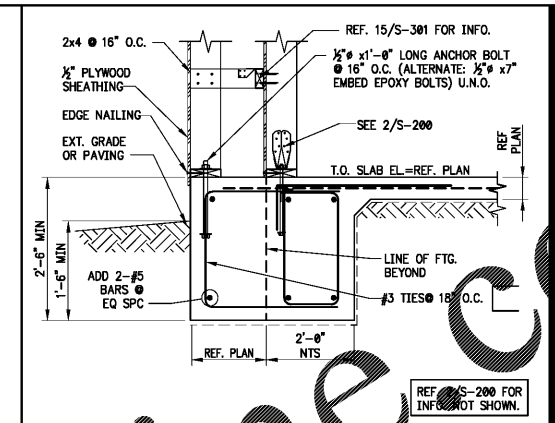
DRAWN BY: EMC
PANDA PROJECT #: S8-19-D6558
ARCH PROJECT #: 1804

EMC
STRUCTURAL ENGINEERS, P.C.
4525 Trousdale Drive
Nashville, Tennessee 37204
(615) 781-8199
(615) 781-4088 (fax)

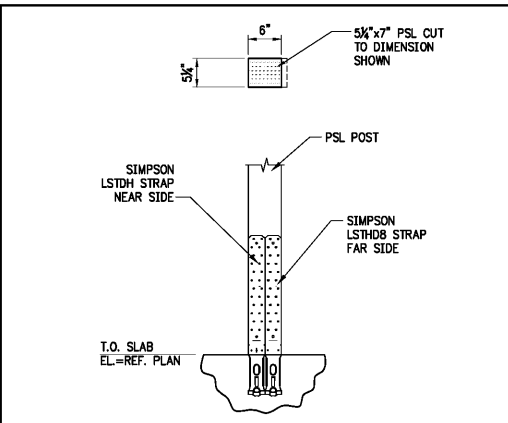


PANDA EXPRESS
US 98 and PORTSIDE DRIVE
3868 GULF BREEZE PARKWAY
GULF BREEZE, FL
2200 TRUE - R1 - DAB 12

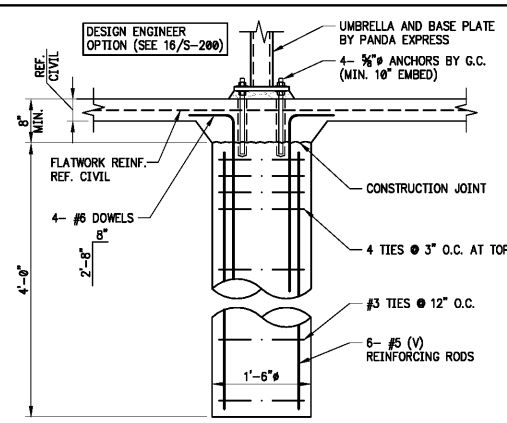
S-200
FOUNDATION DETAILS



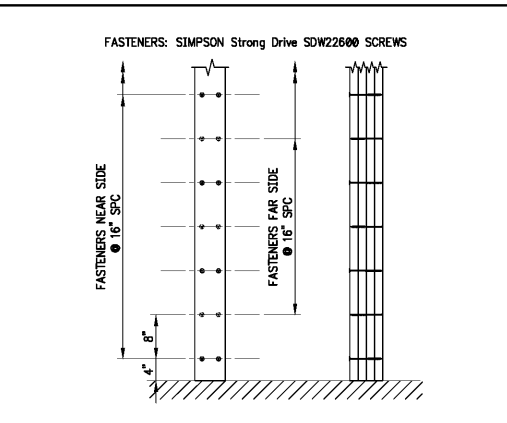
SECTION 4
SCALE: 3/4\"/>



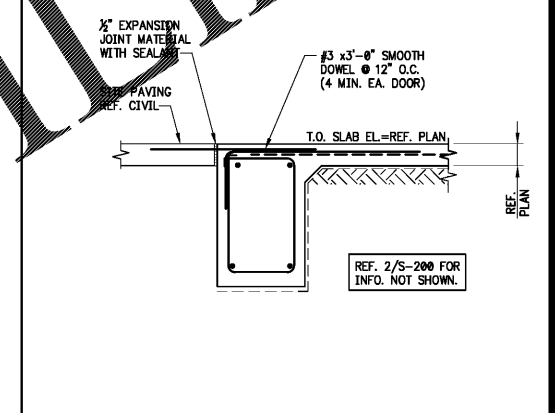
SECT. "A"
SCALE: 3/4\"/>



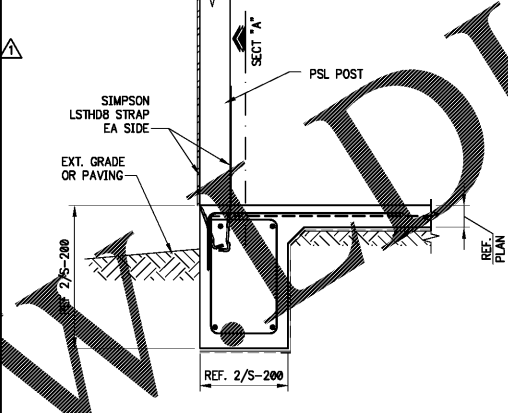
UMBRELLA FOUNDATION 12
SCALE: 3/4\"/>



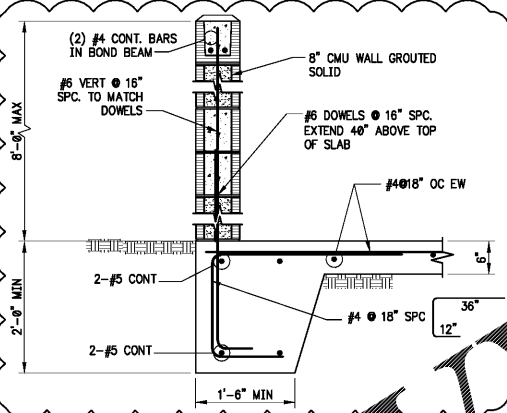
BUILT-UP POST FASTENERS 15
SCALE: 3/4\"/>



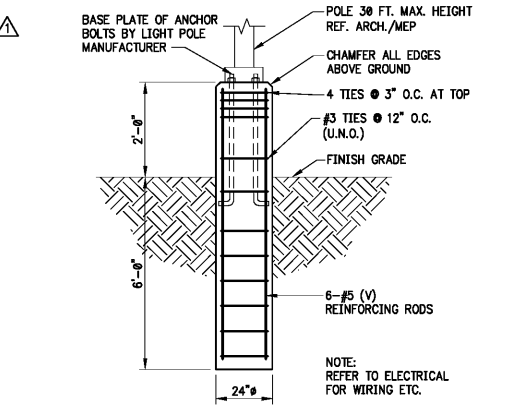
SECTION 7
SCALE: 3/4\"/>



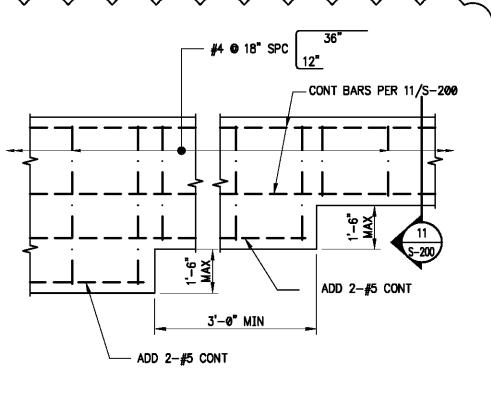
SECTION 3
SCALE: 3/4\"/>



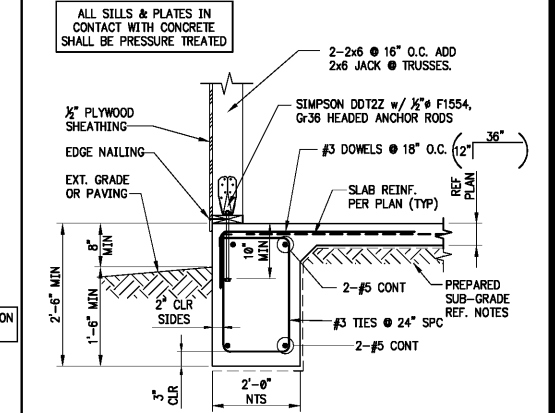
TRASH ENCLOSURE WALL 11
SCALE: 3/4\"/>



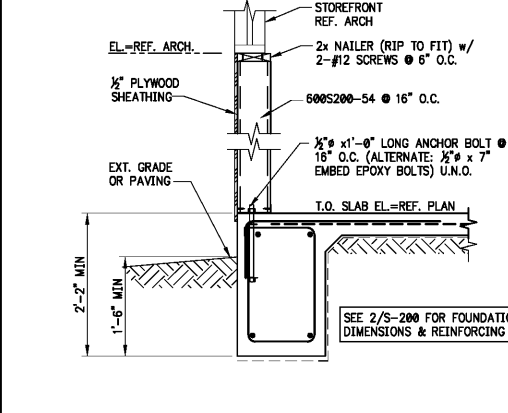
TYPICAL LIGHT POLE SECTION 15
SCALE: NONE
S-200



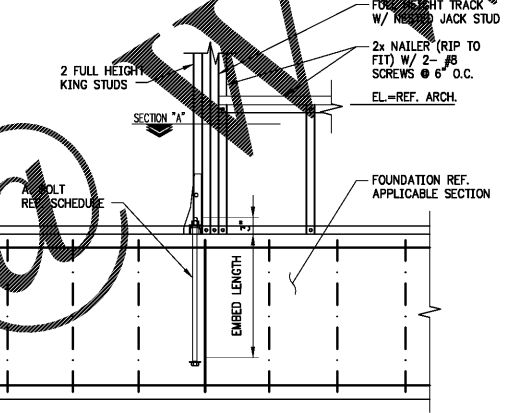
FOOTING STEPS - TRASH ENCLOSURE 19
SCALE: NONE
S-200



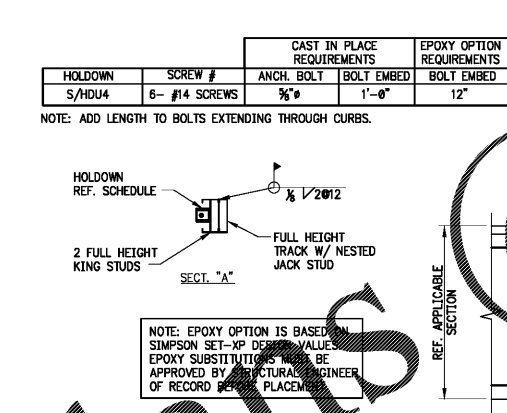
SECTION 2 2A
SCALE: 3/4\"/>



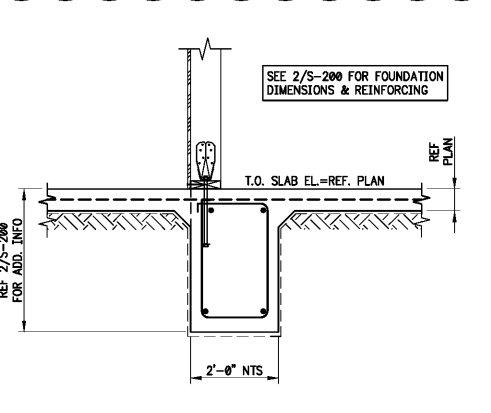
SECTION @ DRIVE-THRU WINDOW 6
SCALE: 3/4\"/>



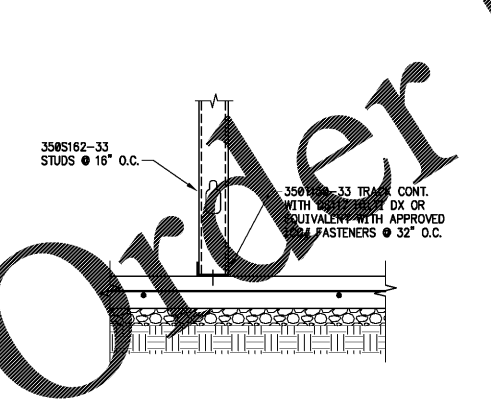
TYPICAL HOLDOWN DETAIL- LIGHT GAGE 10
SCALE: NONE
S-200



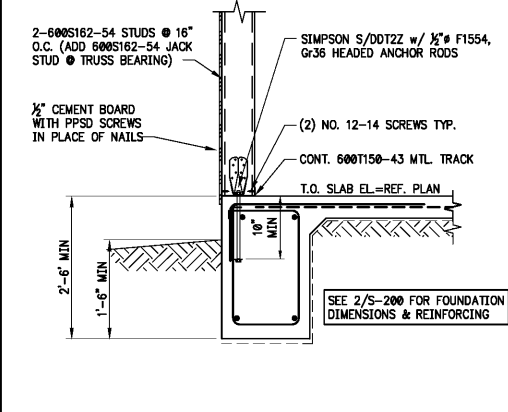
TYPICAL HOLDOWN DETAIL- WOOD 9
SCALE: NONE
S-200



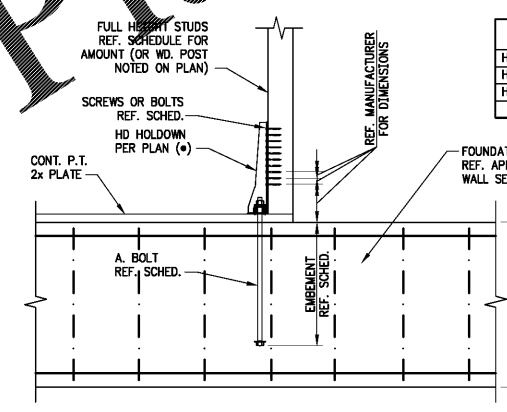
SECTION 18
SCALE: 3/4\"/>



SLAB AT NON BEARING WALL 17
SCALE: N.T.S.
S-200



SECTION 5
SCALE: 3/4\"/>



TYPICAL HOLDOWN DETAIL- WOOD 9
SCALE: NONE
S-200

Order Plans