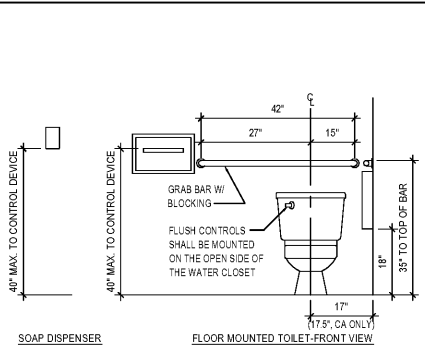
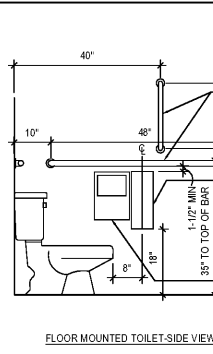


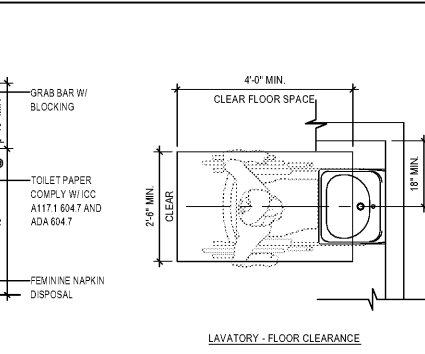
RESTROOM ACCESSIBLE SIGNAGE



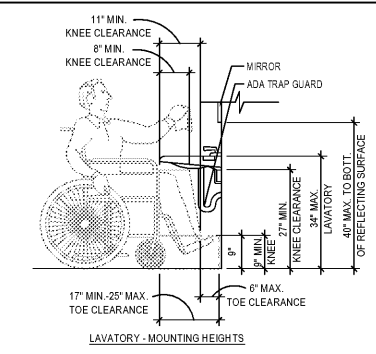
CLOTHES HOOK INSTALLATION



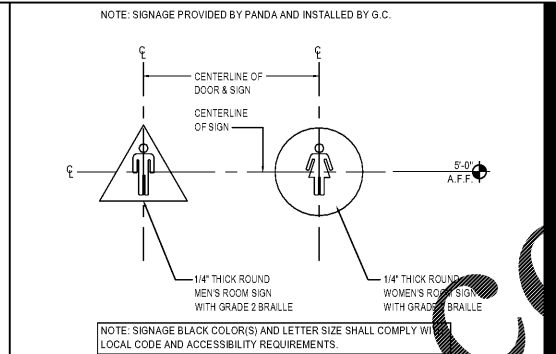
SOAP DISPENSER



FLOOR MOUNTED TOILET - FRONT VIEW



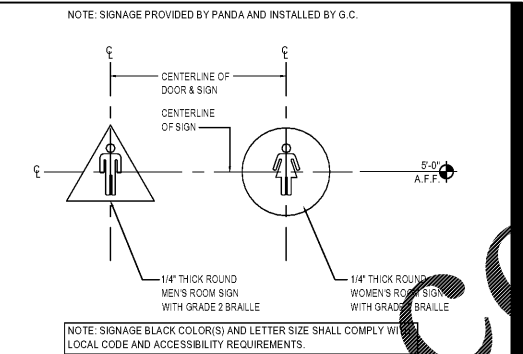
FLOOR MOUNTED TOILET - SIDE VIEW



LAVATORY - FLOOR CLEARANCE



LAVATORY - MOUNTING HEIGHTS

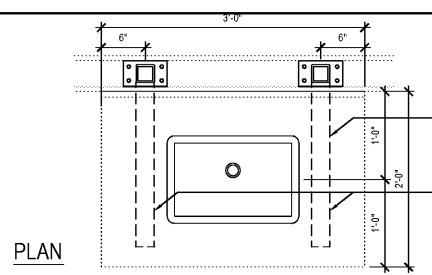


RESTROOM DOOR SIGNS

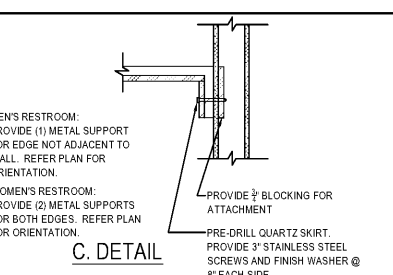
STANDARD ACCESSIBLE MOUNTING HEIGHTS AND CLEARANCES

Scale= NTS A-503

Scale= 1" = 1'-0" A-503



PLAN

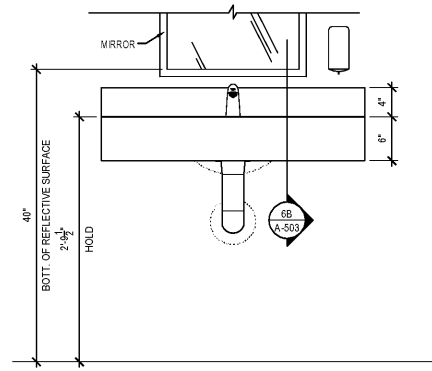


C. DETAIL

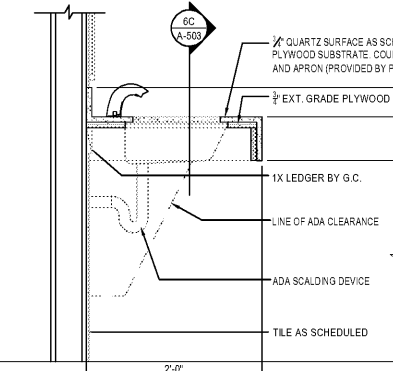
	PROVIDED BY	INSTALLED BY
QUARTZ TOP & SPLASH	OWNER	G.C.
SINK & FAUCET	G.C.	G.C.
METAL SUPPORT BRACKET	G.C.	G.C.

LAVATORY RESPONSIBILITY SCHEDULE

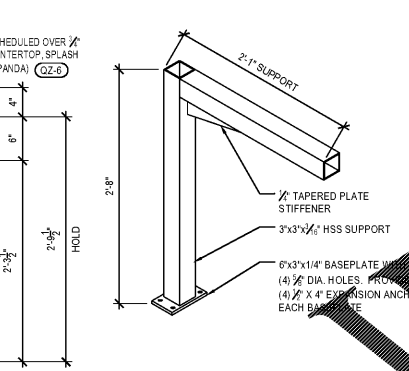
NOTE:  
• UNDER COUNTER SINK INSTALLED BY G.C.



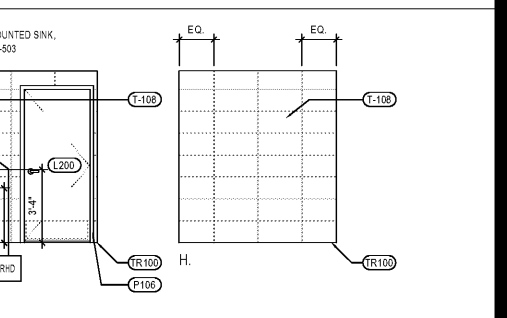
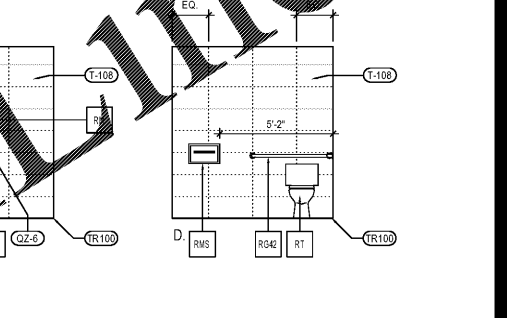
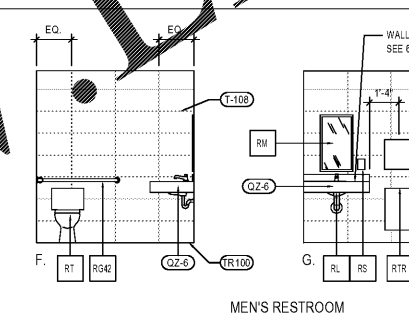
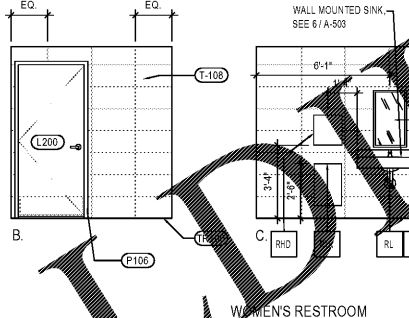
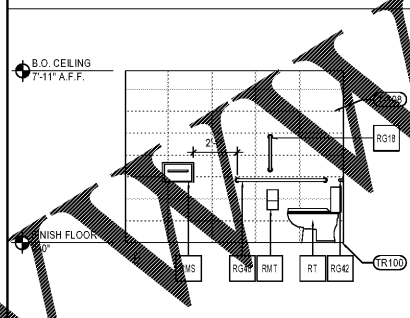
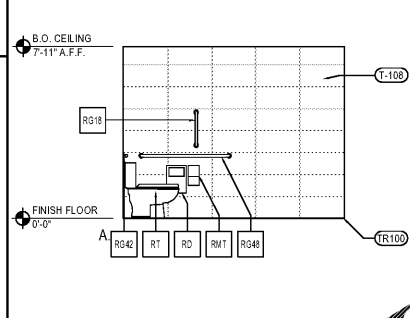
A. ELEVATION



B. SECTION

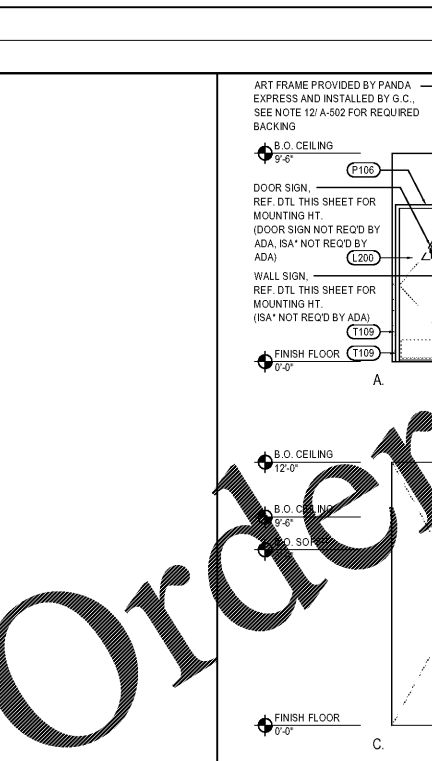


SUPPORT ISOMETRIC



RESTROOM ELEVATIONS

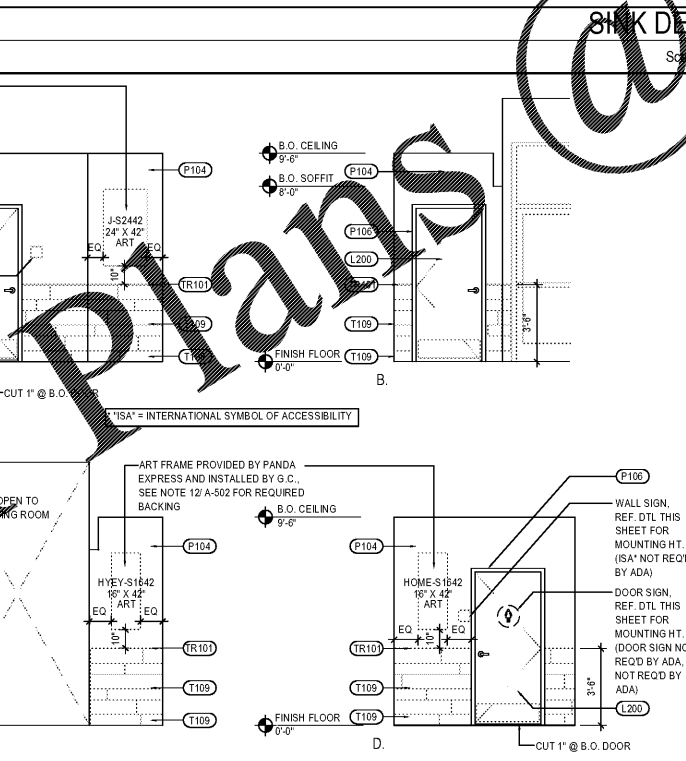
Scale= 1/4" = 1'-0" A-503



NOT USED

7

Scale= 1" = 1'-0" A-503



RESTROOM VESTIBULE ELEVATIONS

5

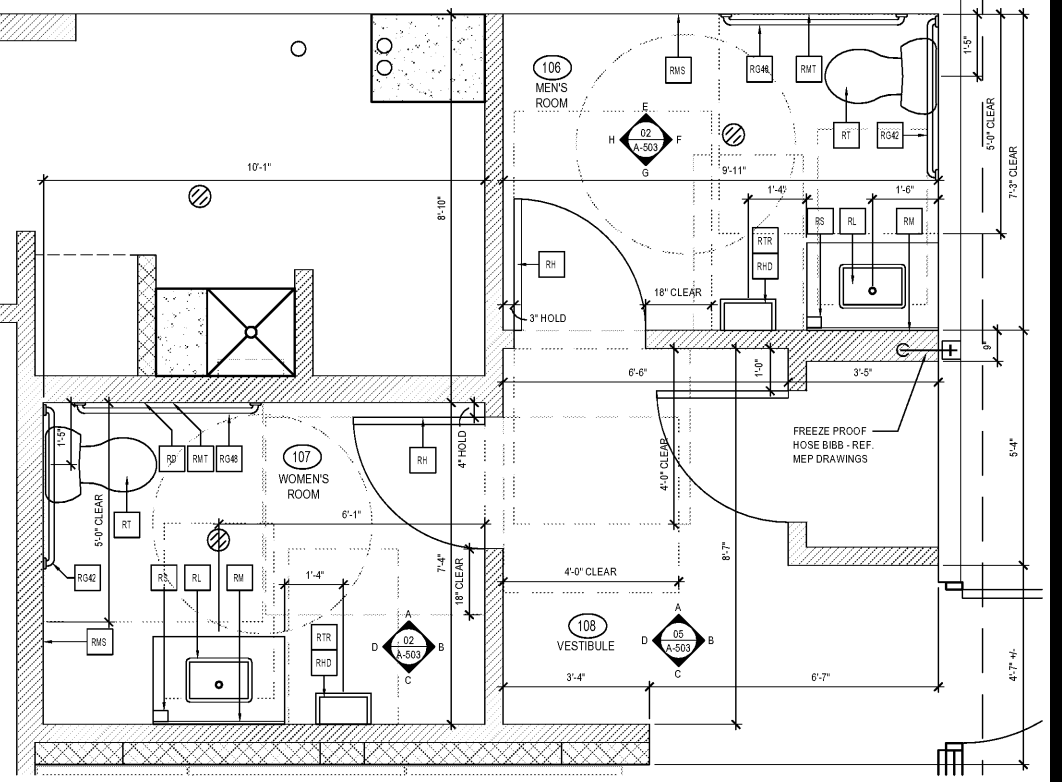
Scale= 1/4" = 1'-0" A-503

TOILET ACCESSORY SCHEDULE

Scale= 1" = 1'-0" A-503

NO	DESCRIPTION
RG42	BOBRICK GRAB BAR, 42" LONG B-6806 1 1/2" SATIN FINISH, FURNISHED BY LOCKNET, INSTALLED BY G.C.
RG48	BOBRICK GRAB BAR, 48" LONG B-6806 1 1/2" SATIN FINISH, FURNISHED BY LOCKNET, INSTALLED BY G.C.
RG18	BOBRICK GRAB BAR, 18" LONG B-6806 1 1/2" SATIN FINISH, FURNISHED BY LOCKNET, INSTALLED BY G.C.
RM	BOBRICK CHANNEL FRAME MIRROR B-165 (1836) 18"X36" STAINLESS STEEL CHANNEL FRAME FURNISHED BY LOCKNET, INSTALLED BY G.C.
RS	SOAP DISPENSER (BY VENDOR)
RMS	BOBRICK SEAT COVER DISPENSER B-221 STAINLESS STEEL, SATIN FINISH FURNISHED BY LOCKNET, INSTALLED BY G.C.
RTR	BOBRICK SURFACE MOUNTED TRASH RECEPTACLE MODEL # B-277, FURNISHED BY LOCKNET, INSTALLED BY G.C.
RHD	PAPER TOWEL DISPENSER FURNISHED BY PANDA EXPRESS, INSTALLED BY G.C.
RMT	BOBRICK MULTI-ROLL TOILET TISSUE DISPENSER B-2888 STAINLESS STEEL, SATIN FINISH FURNISHED BY LOCKNET, INSTALLED BY G.C.
RT	AMERICAN STANDARD CADET RIGHT HEIGHT ELONGATED TOILET 2467.016 TL, 4142.600 TANK, AMERICAN STANDARD #321.110 SEAT, COLOR: WHITE, TRIP TO BE ON OPEN SIDE, FURNISHED AND INSTALLED BY G.C.
RL	KOHLER UNDER MOUNTED LAVATORY K-2214-G-0, 18" X 12" VITREOUS CHINA, WITH 4" CENTER FAUCET HOLES FURNISHED AND INSTALLED BY G.C.
RD	BOBRICK SURFACE-MOUNTED SANITARY NAPKIN DISPOSAL B-254 STAINLESS STEEL, SATIN FINISH FURNISHED BY LOCKNET, INSTALLED BY G.C.
RH	BOBRICK SURFACE-MOUNTED CLOTHES HOOK AND BUMPER B-212 SOLID ALUMINUM CASTING, MATTE FINISH, INSIDE OF RESTROOM DOORS FURNISHED BY LOCKNET, INSTALLED BY G.C.

\* INSULATE ALL PIPES (TRAP & HOT WATER) AT ACCESSIBLE LAVATORIES.



ENLARGED RESTROOM PLANS

1

Scale= 1/2" = 1'-0" A-503



PANDA EXPRESS, INC.  
1683 Walnut Grove Ave.  
Rosemead, California  
91770  
Telephone: 626.799.9898  
Facsimile: 626.372.8288

All ideas, designs, arrangement and plans indicated or represented by this drawing are the property of Panda Express Inc. and were created for use on this specific project. None of these ideas, designs, arrangements or plans may be used by or disclosed to any person, firm, or corporation without the written permission of Panda Express Inc.

REVISIONS:

ISSUE DATE:  
1st ISSUE FOR BUILDING PERMIT 08-16-18  
2nd ISSUE FOR BID 11-29-18

DRAWN BY: RR

PANDA PROJECT # S8-19-D6558  
ARCH PROJECT # 1804



315 WALTER ROBERTS ST • FRANKLIN, TN 37064  
PHONE (615) 496-4250 • FAX (666) 584-1325  
REGISTERED FLORIDA ARCHITECT # AR0015528

PANDA EXPRESS  
US 98 and PORTSIDE DRIVE  
3868 GULF BREEZE PARKWAY  
GULF BREEZE, FL  
2200 TRUE - R1 - DAB 12

A-503

ENLARGED RESTROOM PLANS AND ELEVATIONS

Order Plans