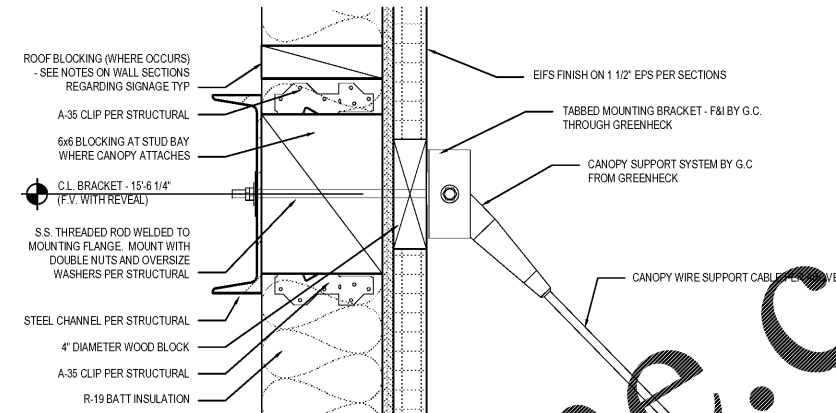


Order Plans

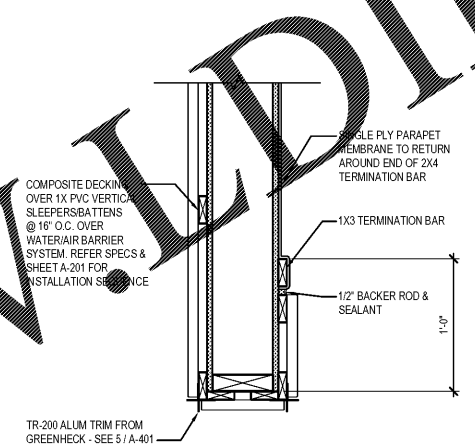
@

WWW.WALDILLINE.COM



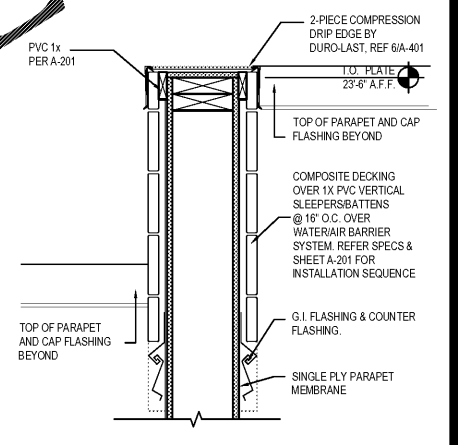
CANOPY SUPPORT BRACKET DETAIL 3

Scale= 3" = 1'-0" A-305



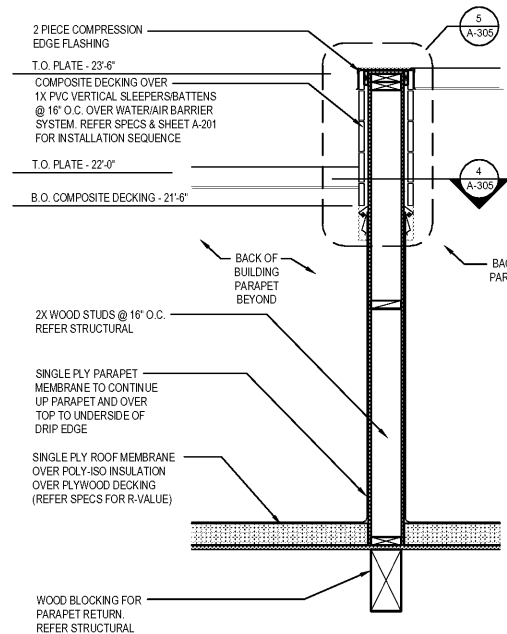
PLAN SECTION at PARAPET RETURN 4

Scale= 1 1/2" = 1'-0" A-305

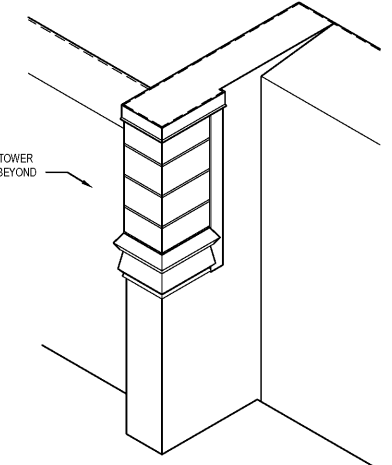


PARAPET RETURN DETAIL 5

Scale= 1 1/2" = 1'-0" A-305



SECTION DETAIL



ISOMETRIC VIEW

SECTION AT PARAPET RETURN 6

Scale= 3/4" = 1'-0" A-305

NOT USED 1

Scale= 3/4" = 1'-0" A-305

NOT USED 2

Scale= 3/4" = 1'-0" A-305



PANDA EXPRESS, INC.
1683 Walnut Grove Ave.
Rosemead, California
91770
Telephone: 626.799.9898
Facsimile: 626.372.8288

All ideas, designs, arrangement and plans indicated or represented by this drawing are the property of Panda Express Inc. and were created for use on this specific project. None of these ideas, designs, arrangements or plans may be used by or disclosed to any person, firm, or corporation without the written permission of Panda Express Inc.

REVISIONS:

NO.	DESCRIPTION	DATE

ISSUE DATE:

NO.	DESCRIPTION	DATE
1st	ISSUE FOR BUILDING PERMIT	08-16-18
2nd	ISSUE FOR BID	11-29-18

DRAWN BY: RR

PANDA PROJECT # S8-19-D6558
ARCH PROJECT # 1804



315 WALTER ROBERTS ST • FRANKLIN, TN 37064
PHONE (615) 496-8750 • FAX (866) 584-1265
REGISTERED FLORIDA ARCHITECT # AR0015528

PANDA EXPRESS
US 98 and PORTSIDE DRIVE
3868 GULF BREEZE PARKWAY
GULF BREEZE, FL

2200 TRUE - R1 - DAB 12

A-305

WALL SECTIONS