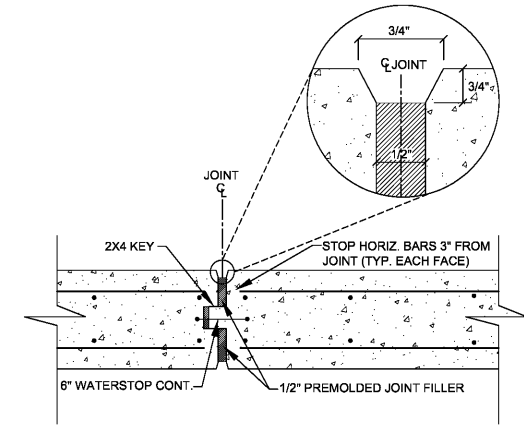


SEE CAST IN PLACE (CIP) RETAINING WALL SCHEDULE FOR REINFORCEMENT AND DIMENSIONS

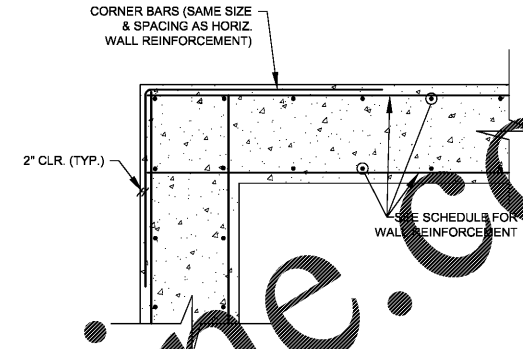
TYPICAL CAST IN PLACE CROSS SECTION - S
NOT TO SCALE

NOTE: IF WALL HEIGHT IS LESS THAN DESIGN-SECTION HEIGHT USE REINFORCEMENT LAYOUT FROM BOTTOM OF WALL (SW) UP TO ELEVATION OF TOP OF WALL.

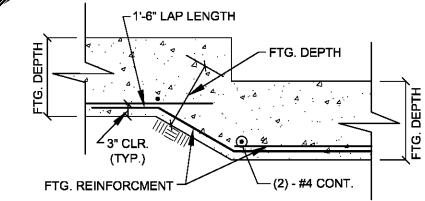
CIP RETAINING WALL SCHEDULE															
Design Section	H	SW	FT	W	TW	HW	KW	KD	"O" (Dwls)	"T" (Bars)	"Lb" Top/Bottom (Bars)	"P" (Bars)	"Lw" (Bars)	"K" (Bars)	"Kw" (Bars)
Cast in Place Sections - Wall B															
S7	7.0'	12"	12"	5.5'	2.5'	3.0'	12"	33"	#4 @ 9"	#4 @ 9"	#4 @ 12"	#4 @ 9"	#4 @ 12"	#4 @ 18"	#4 @ 12"
S5	5.3'	12"	12"	4.5'	1.5'	3.0'	12"	21"	#4 @ 9"	#4 @ 9"	#4 @ 12"	#4 @ 9"	#4 @ 12"	#4 @ 18"	#4 @ 12"
W6	6.3'	12"	12"	5.0'	2.0'	3.0'	12"	36"	#4 @ 9"	#4 @ 9"	#4 @ 12"	#4 @ 9"	#4 @ 12"	#4 @ 18"	#4 @ 12"



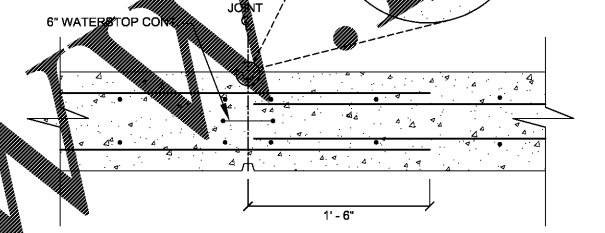
EXPANSION JOINT - 100.0' O.C. MAX.
NOT TO SCALE



CORNER REINFORCEMENT DETAIL
NOT TO SCALE

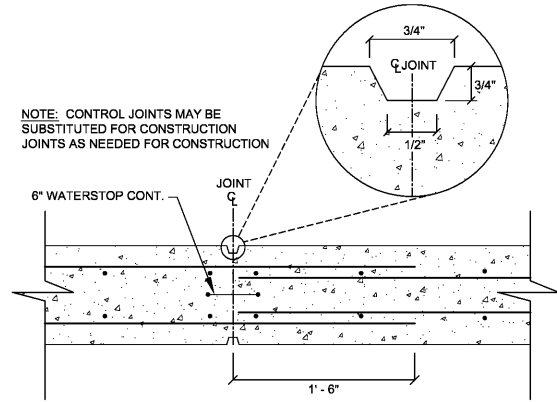


STEPPED FOOTING DETAIL
NOT TO SCALE

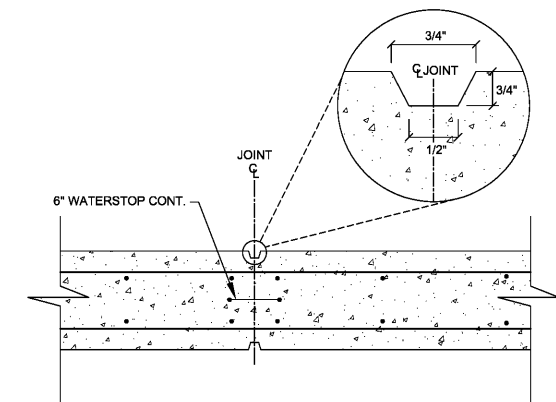


CONSTRUCTION JOINT - 5.0' MIN. FROM CORNER
NOT TO SCALE

BAR NO.	ld (DEVELOPMENT LENGTH - USED FOR SPLICING BARS)
4	29"
5	36"
6	43"
7	63"
8	72"



CONSTRUCTION JOINT
NOT TO SCALE



CONTROL JOINT - 25.0' O.C. MAX.
NOT TO SCALE

THIS DESIGN IS BASED UPON SPECIFIC PROPERTIES OF MATERIALS WHICH ARE PROPRIETARY. ANY SUBSTITUTION OF THE SPECIFIED PRODUCTS OR CHANGE IN STRUCTURE GEOMETRY WILL INVALIDATE THIS DESIGN. THIS DRAWING IS BEING FURNISHED FOR USE ON THIS SPECIFIC PROJECT ONLY. ANY PARTY ACCEPTING THIS DOCUMENT DOES SO IN CONFIDENCE AND AGREES THAT IT SHALL NOT BE DUPLICATED, IN WHOLE OR IN PART, NOR DISCLOSED TO OTHERS WITHOUT THE CONSENT OF ENGINEERED EARTH SOLUTIONS, LLC. THIS DRAWING, DESIGN NOTES, AND ASSOCIATED CALCULATIONS HAVE BEEN PREPARED BY ENGINEERED EARTH SOLUTIONS, LLC. FROM INFORMATION PROVIDED BY OTHERS. FINAL DETERMINATION OF THE SUITABILITY OF ANY INFORMATION CONTAINED HEREIN IS THE RESPONSIBILITY OF THE USER.

COPYRIGHT © 2018 ENGINEERED EARTH SOLUTIONS, LLC.

REVISION/ISSUE

NO.	DATE	DESCRIPTION
1	12/5/18	ISSUE FOR CONSTRUCTION

DRAWN BY: MBC
 DESIGNED BY: CWL
 CHECKED BY: LGP
 DATE: 12/5/18
 SCALE: AS NOTED

PROFESSIONAL ENGINEER
 No. 70880
 STATE OF FLORIDA

ingenium
PLANNING & ENGINEERING

22 ROSWELL ST. SUITE 100
ALPHARETTA, GA 30004
770.457.8650
CLIENT

ENGINEERED EARTH SOLUTIONS, LLC

441 CREEKSTONE RIDGE
WOODSTOCK, GEORGIA 30188
TEL: (770) 592-2850 FAX: (770) 592-2853
EMAIL: ENGINEERING@EESOLS.COM
ENGINEERED EARTH SOLUTIONS.COM

ENGINEER

FLORIDA

**PANDA EXPRESS
CFT PLAZA**

GULF BREEZE

DETAIL SHEET

SHEET
CIP3
OF 4

PROJECT NO.: M18-0894

Order Plans