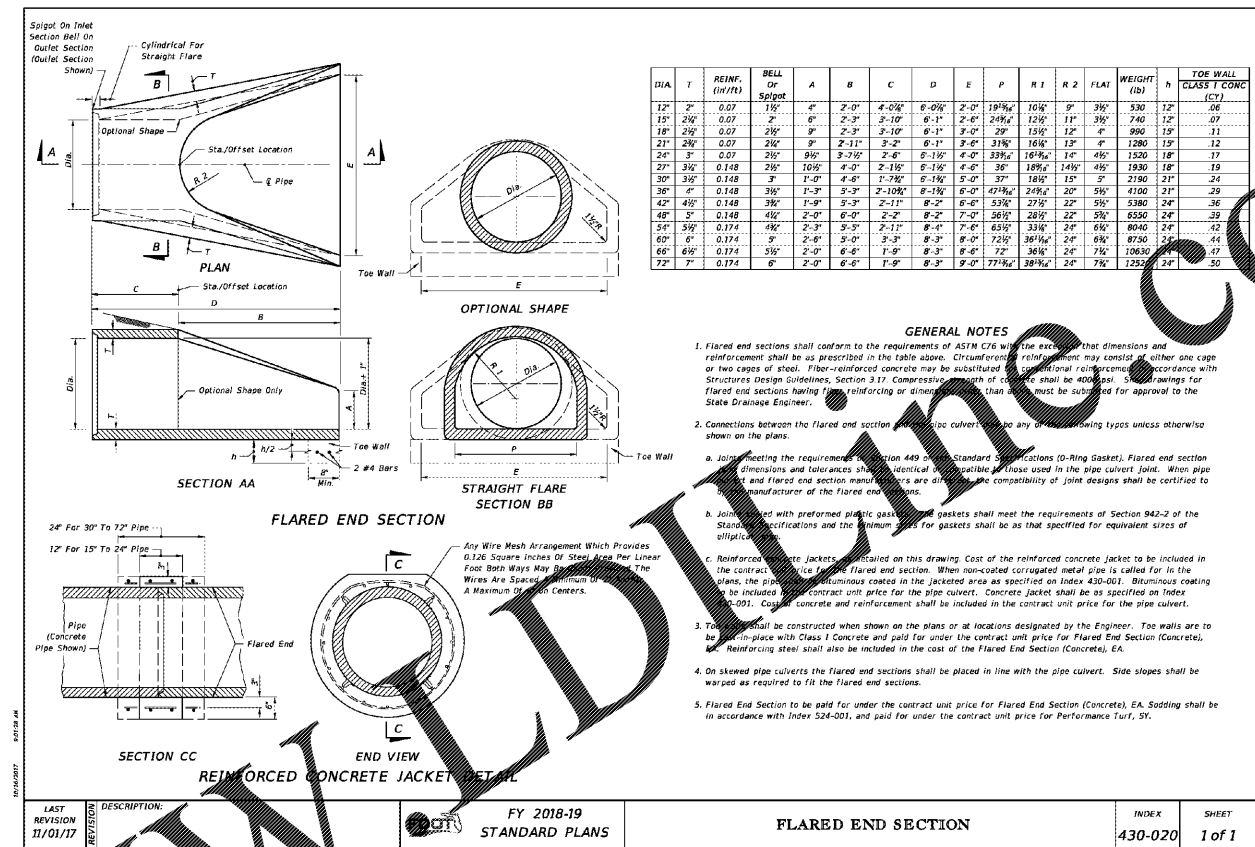


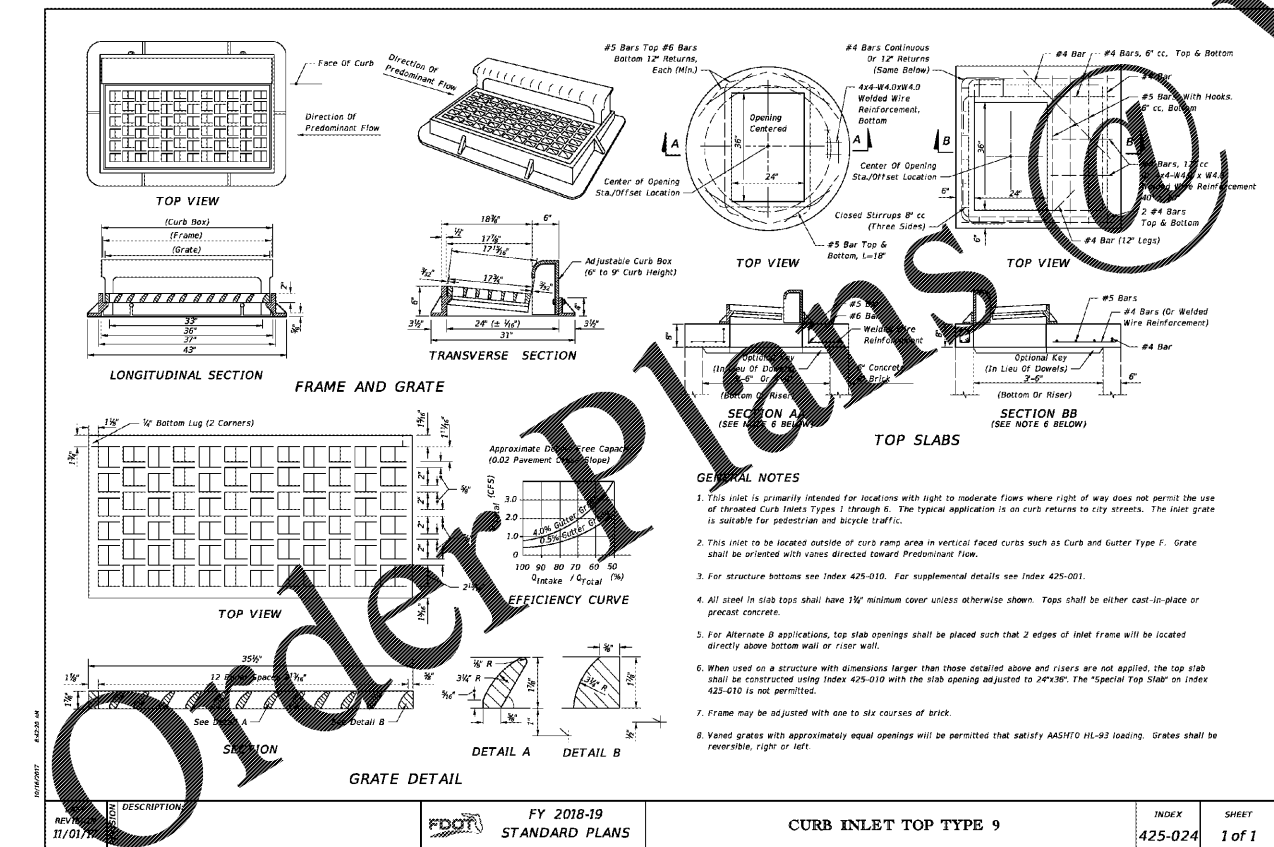
1 FDOT - DITCH BOTTOM INLET - TYPE G NTS

LAST REVISION: 11/01/17	DESCRIPTION: DITCH BOTTOM INLET TYPES F AND G	INDEX: 425-053	SHEET: 2 of 2
-------------------------	---	----------------	---------------



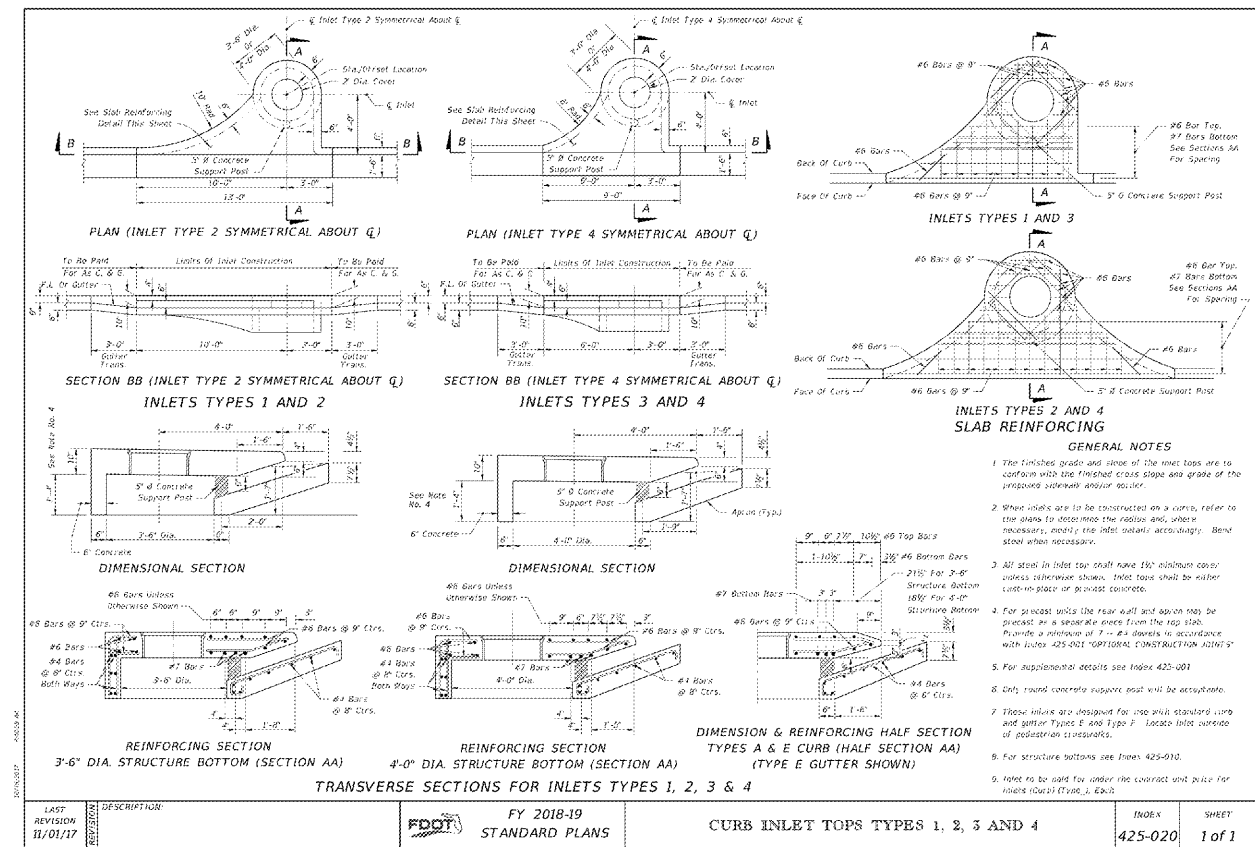
2 FDOT FLARED SECTION NTS

LAST REVISION: 11/01/17	DESCRIPTION: FLARED END SECTION	INDEX: 430-020	SHEET: 1 of 1
-------------------------	---------------------------------	----------------	---------------



3 FDOT - CURB INLET NTS

LAST REVISION: 11/01/17	DESCRIPTION: CURB INLET TOP TYPE 9	INDEX: 425-024	SHEET: 1 of 1
-------------------------	------------------------------------	----------------	---------------



4 FDOT - CURB INLET (WING) NTS

LAST REVISION: 11/01/17	DESCRIPTION: CURB INLET TOPS TYPES 1, 2, 3 AND 4	INDEX: 425-020	SHEET: 1 of 1
-------------------------	--	----------------	---------------

Ingenium
PLANNING & ENGINEERING
271 ROSWELL ST.
SUITE 100
ALPHARETTA, GA 30009
770.421.0850

JAMES D. NEFF
PROFESSIONAL ENGINEER
STATE OF FLORIDA
LICENSE NO. 92838
EXPIRES 12/31/16

THIS ITEM HAS BEEN DIGITALLY SIGNED AND SEALED BY JAMES D. NEFF, PE ON THE DATE ADJACENT TO THE SEAL.

PRINTED COPIES OF THIS DOCUMENT ARE NOT CONSIDERED SIGNED AND SEALED AND THE SIGNATURE MUST BE VERIFIED ON ANY ELECTRONIC COPIES.

STATE OF FLORIDA
AUTHORIZATION NUMBER
8370

PLANS PREPARED BY INGENIUM ENTERPRISES FORMERLY GRIMAL CRAWFORD

PANDA EXPRESS/CT PLAZA
3668 GULF BREEZE PARKWAY
GULF BREEZE, FLORIDA

PLANS FOR:

CLIENT:
CFT IV DEVELOPMENTS, LLC
1120 N. TOWN CENTER DR., SUITE 150
LAS VEGAS, NV 89144
PHONE: (626) 799-8989

REV	DATE	DESCRIPTION
1	11/01/17	ISSUE FOR BIDDING

REVISION HISTORY

REV	DATE	DESCRIPTION
1	11/01/17	ISSUE FOR BIDDING

THE CIVIL ENGINEER HEREBY UPDATES ELECTRONIC FILES DURING THE DEVELOPMENT OF A PROJECT AS A RESULT, THE DATA INCLUDED IN ANY CAD FILE OR DRAWING FROM THIS FILE RELEASE DOES NOT NECESSARILY REFLECT THE COMPLETE SCOPE OR CONTENT AS PROVIDED IN THE CONTRACT. THE CONTENTS IN THESE FILES MAY THEREFORE BE PRELIMINARY, INCOMPLETE, WORK IN PROGRESS, AND SUBJECT TO CHANGE. FURTHERMORE, THE INFORMATION CONTAINED HEREIN IS THE SOLE PROPERTY OF THE CIVIL ENGINEER. THE ORIGINAL DRAWING REPRESENTED HEREIN BY THIS INFORMATION SHALL NOT BE LOANED, ALTERED, OR REPRODUCED IN ANY MANNER WITHOUT THE EXPRESS WRITTEN CONSENT OF THE CIVIL ENGINEER. THESE PLANS ARE SUBJECT TO FEDERAL COPYRIGHT LAWS AND USE OF ANY PART HEREOF EXPOSED WITHOUT PERMISSION OF THE CIVIL ENGINEER IS PROHIBITED.

PROJ # 17056
DWG NAME 17056-COLDING
ISSUE DATE 11/2/2016
PROJ MGR EF

UTILITY DETAILS II

C04.3
SHEET NUMBER

SHEET FOR BIDDING