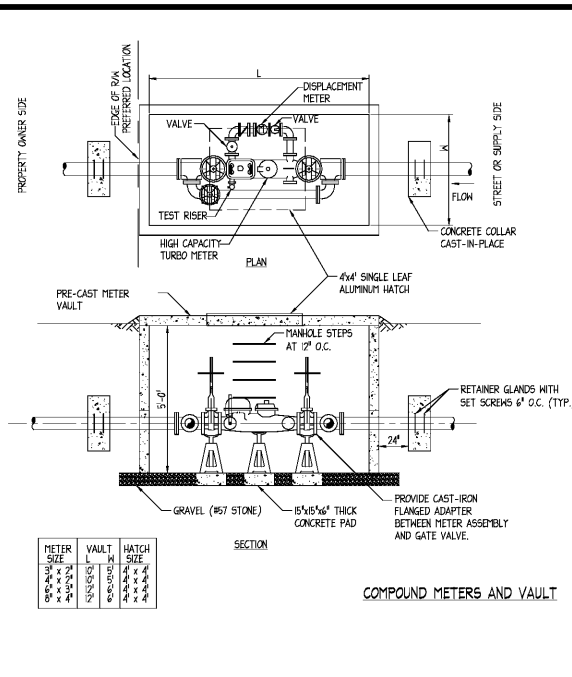


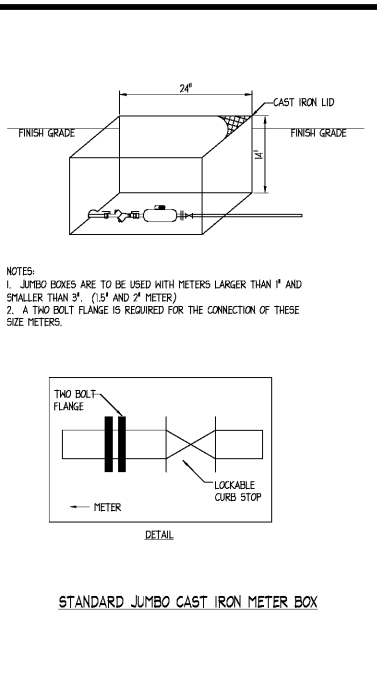
METER BOX FOR 5/8" OR 1" METER

1 WATER METER NTS



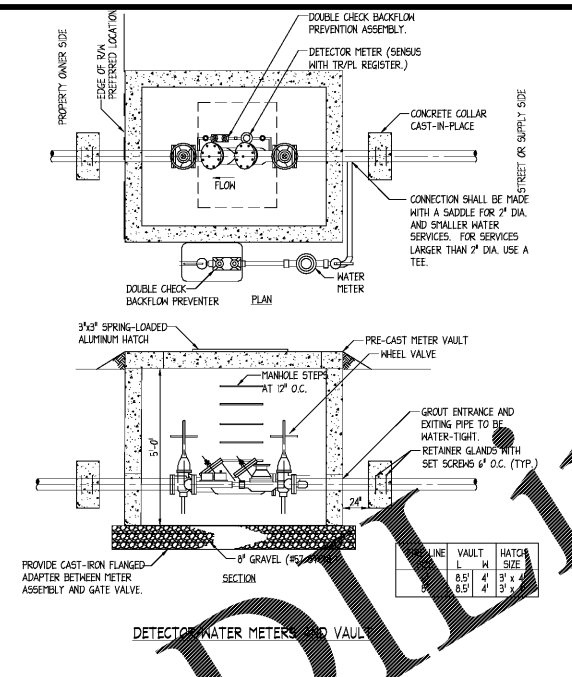
COMPOUND METERS AND VAULT

- NOTES:
1. BOXES EXCEEDING 9' IN DEPTH MUST BE APPROVED BY THE AUTHORITY.
 2. WHEN METER BOX CANNOT BE LOCATED ENTIRELY ON R/W, A PERMANENT EASEMENT SHALL BE OBTAINED TO PREVENT FENCES OR OTHER OBSTRUCTIONS FROM BEING ERRECTED AROUND THE METER BOX.
 3. COVER OPENING 4 STEPS TO BE PLACED NEAREST THE METER REGISTER.
 4. BYPASS REQUIRED (WITH VALVES), TO BE INSTALLED INSIDE THE VAULT.
 5. THE METER MUST BE INSTALLED WITH AT LEAST 8 DIAMETERS OF STRAIGHT PIPE SAME SIZE AS METER ON THE INLET SIDE TO PERMIT ON-SITE MAINTENANCE AND CALIBRATION. A STRAINER MAY BE PROVIDED IN LIEU OF THE STRAIGHT PIPE IN ACCORDANCE WITH THE METER MANUFACTURER'S RECOMMENDATIONS. AN INLET AND OUTLET GATE VALVE WITH BYPASS LINE ARE REQUIRED (SEE ILLUSTRATION).
 6. THESE BOXES ARE NOT TO BE INSTALLED IN TRAFFIC AREAS WITHOUT PRIOR PERMISSION FROM THE AUTHORITY.
 7. RPZ BACKFLOW PREVENTION REQUIRED ON PROPERTY OWNER'S SIDE OF METER. LOCATION SHALL BE APPROVED BY THE AUTHORITY.
 8. ALL VALVES AND FITTINGS INSIDE THE VAULT SHALL BE FLANGED.
 9. ALL FITTINGS OUTSIDE THE VAULT SHALL BE MECHANICAL JOINT WITH RETAINER GLANDS.
 10. METER MUST BE SENSUS TOUCH-READ METER WITH STRAINER AND BY-PASS.
 11. METER SHALL BE PROVIDED WITH A TEST RISER.



STANDARD JUMBO CAST IRON METER BOX

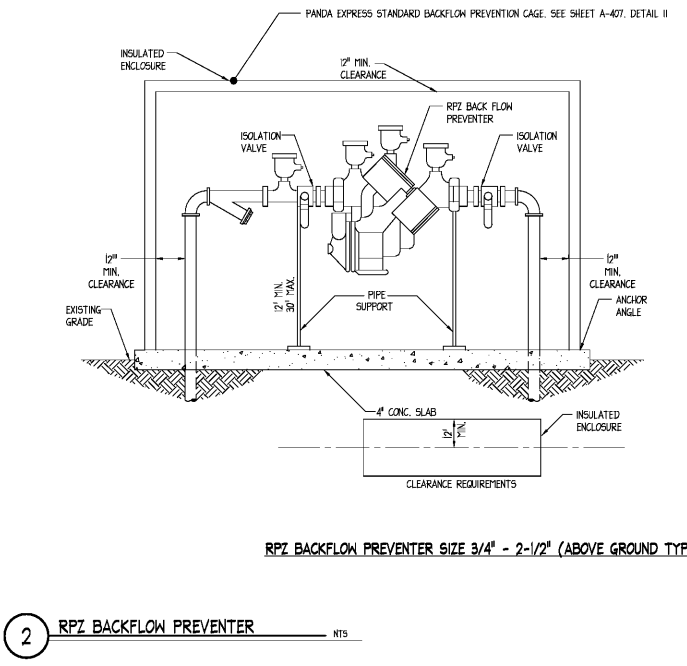
- NOTES:
1. JUMBO BOXES ARE TO BE USED WITH METERS LARGER THAN 1" AND SMALLER THAN 3" (1.5" AND 2" METER).
 2. A TWO BOLT FLANGE IS REQUIRED FOR THE CONNECTION OF THESE SIZE METERS.



DETECTOR WATER METERS AND VAULT

- NOTES:
1. BOXES EXCEEDING 9' IN DEPTH MUST BE APPROVED BY THE AUTHORITY.
 2. WHEN METER BOX CANNOT BE LOCATED ENTIRELY ON R/W, A PERMANENT EASEMENT SHALL BE OBTAINED TO PREVENT FENCES OR OTHER OBSTRUCTIONS FROM BEING ERRECTED AROUND THE METER BOX.
 3. COVER OPENING 4 STEPS TO BE PLACED NEAREST THE METER REGISTER.
 4. THESE BOXES ARE NOT TO BE INSTALLED IN TRAFFIC AREAS WITHOUT PRIOR PERMISSION FROM THE AUTHORITY.
 5. ALL VALVES AND FITTINGS INSIDE THE VAULT SHALL BE FLANGED.
 6. RETAIED PRESSURE DETECTOR ASSEMBLY (RPDA) REQUIRED WHEN THE DANGER FROM BACKFLOW PRESENTS A HEALTH HAZARD. ALL RPDA'S SHALL BE INSTALLED IN VAULTS SET ABOVE FINISH GROUND WITH DRAINS.
 7. SEE APPENDIX FOR ALTERNATE CROSS-CONNECTION CONTROL PROGRAM AND DETAILS.
 8. ANY DOMESTIC OR SPRINKLER SYSTEMS REQUIRED ARE TO BE TAPPED ON NEW LINE BETWEEN STREET AND VAULT WITH COPPER AND BRASS FITTINGS.
 9. ALL METERS WILL BE INSTALLED UNTIL ALL FEES HAVE BEEN PAID AND ALL TESTS COMPLETE. SOUND INSPECTIONS MUST BE MADE BEFORE ANY WORK IS STARTED.

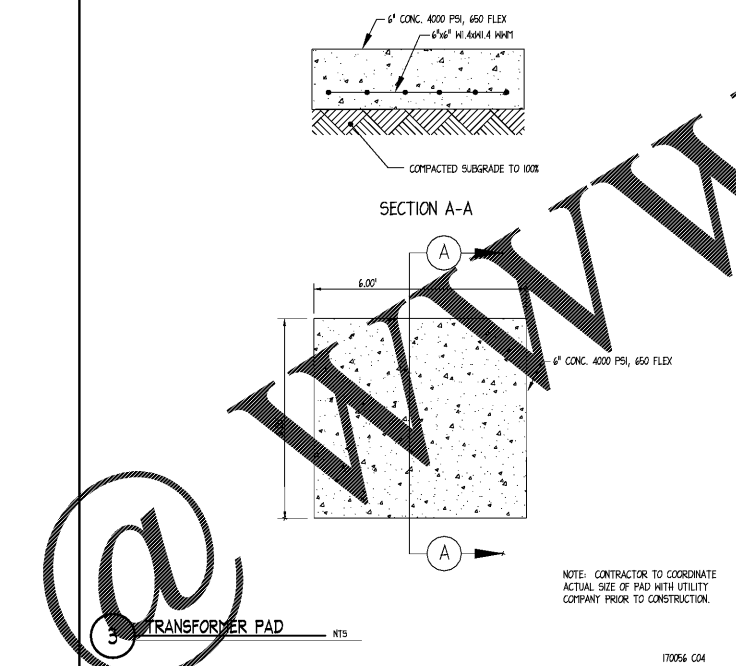
NOTE: METER SHALL BE SENSUS 2" O.M.N.I. C-2 COMPOUND METERS WITHIN CARLSON LARGE METER BOX WITH WHOLE IN LID FOR ACCESS TO ELECTRICAL READER.



RPZ BACKFLOW PREVENTER SIZE 3/4" - 2-1/2" (ABOVE GROUND TYPICAL INSTALLATION)

2 RPZ BACKFLOW PREVENTER NTS

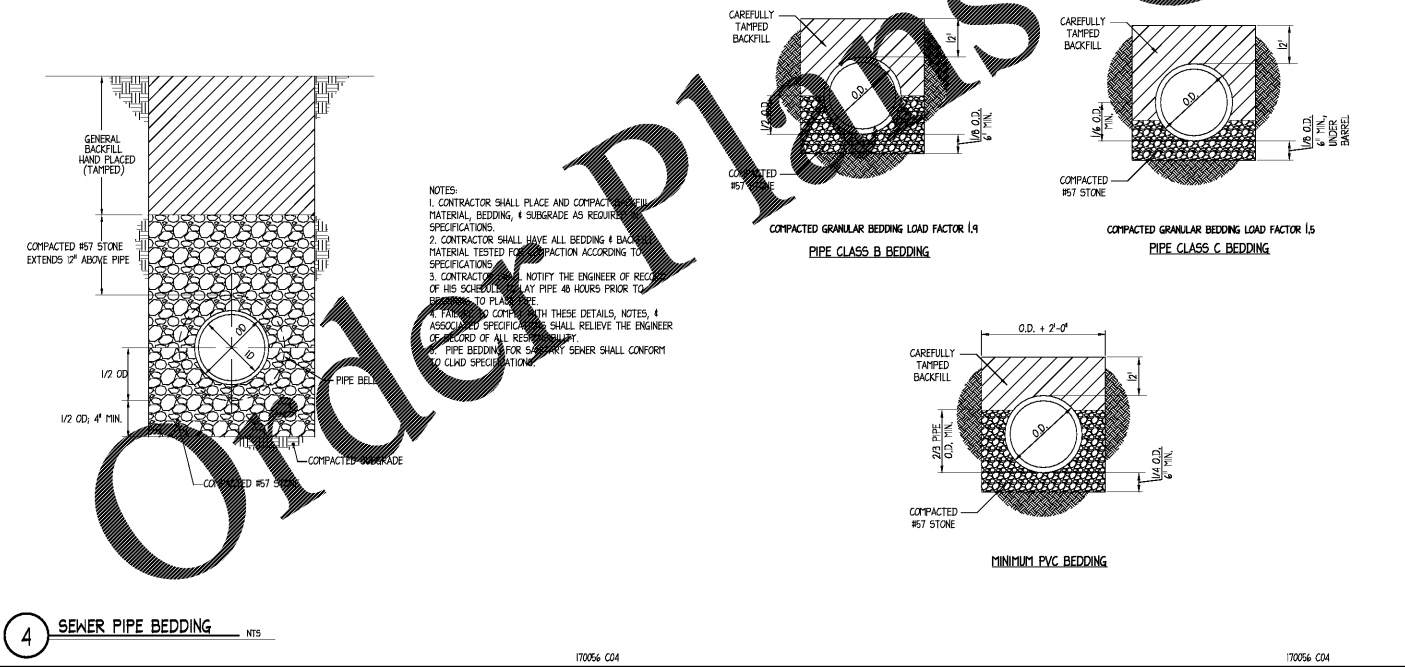
- NOTES:
1. DRAWING NOT TO SCALE.
 2. APPROVED BACK FLOW PREVENTERS, MANUFACTURER AND MODEL: HATTIS MODEL 494, WILKINS MODEL 415, SHOWN BACKFLOW PREVENTER SHALL COMPLY WITH ALL CITY OF GULF BREEZE/MIDWAY WATER STANDARDS AND SPECIFICATIONS. CONTRACTOR MAY SUBMIT SHOP DRAWINGS OF UNIT TO FIRE RISK BOARDS OF MIDWAY WATER.
 3. APPROVED INSULATED ENCLOSURE MANUFACTURERS: HOT BOX AND HYDROCAL. INSTALLATION OF INSULATED ENCLOSURES SHALL BE IN ACCORDANCE WITH THE MANUFACTURER'S RECOMMENDATIONS. HEATERS ARE RECOMMENDED TO PREVENT FREEZE UP.
 4. INSULATED ENCLOSURE MUST HAVE A DRAIN PORT APPROPRIATELY SIZED TO ALLOW DISCHARGE OF WATER IN THE EVENT THE RPZ RELIEF VENT OPENS.
 5. PERMITS, PLAN APPROVALS, AND INSPECTIONS MUST BE OBTAINED AND SCHEDULED PRIOR TO WORK THROUGH THE COUNTY WATER AND SEWERAGE AUTHORITY BACKFLOW PREVENTION DIRECTOR.
 6. FITTINGS AND PIPE SHALL BE SCHEDULE 40 GALVANIZED STEEL.
 7. VALVES SHALL BE BRONZE, FULL PORT, BALL VALVES WITH THE SEATS AND STAINLESS STEEL OPERATOR HANDLES.
 8. PIPE SUPPORTS REQUIRED ON PIPING 1-1/2" IN DIAMETER AND LARGER.



SECTION A-A

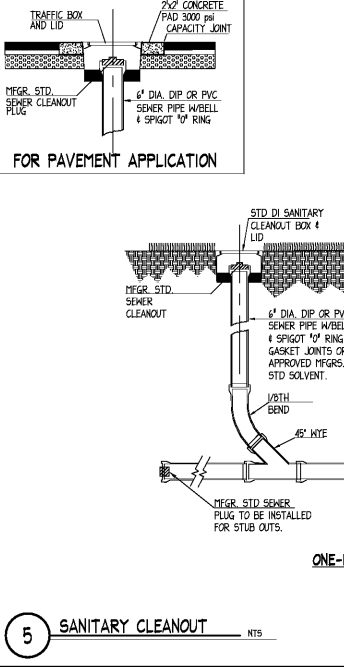
NOTE: CONTRACTOR TO COORDINATE ACTUAL SIZE OF PAD WITH UTILITY COMPANY PRIOR TO CONSTRUCTION.

3 TRANSFORMER PAD NTS



- NOTES:
1. CONTRACTOR SHALL PLACE AND COMPACT BEDDING MATERIAL, BEDDING, & SUBGRADE AS REQUIRED BY SPECIFICATIONS.
 2. CONTRACTOR SHALL HAVE ALL BEDDING & BACKFILL MATERIAL TESTED FOR COMPACTION ACCORDING TO SPECIFICATIONS.
 3. CONTRACTOR SHALL NOTIFY THE ENGINEER OF RECORD OF HIS SCHEDULED TESTS AT LEAST 48 HOURS PRIOR TO TESTING TO ALLOW FOR OBSERVATION.
 4. ALL TESTING SHALL BE IN ACCORDANCE WITH THE SPECIFICATIONS.
 5. PIPE BEDDING FOR SANITARY SEWER SHALL CONFORM TO CLASS B SPECIFICATIONS.

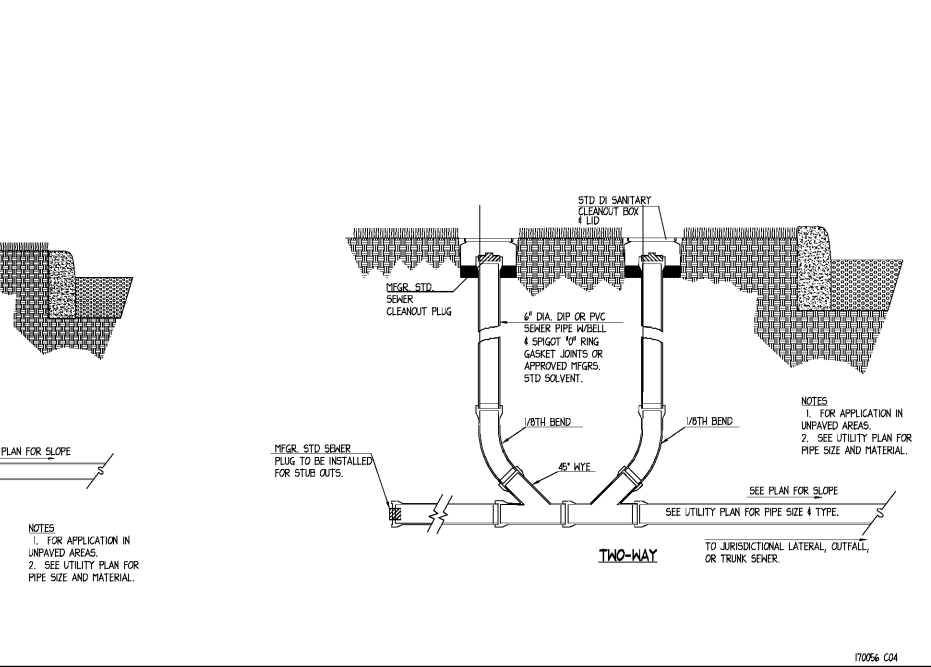
4 SEWER PIPE BEDDING NTS



FOR PAVEMENT APPLICATION

- NOTES:
1. FOR APPLICATION IN UNPAVED AREAS.
 2. SEE UTILITY PLAN FOR PIPE SIZE AND MATERIAL.

5 SANITARY CLEANOUT NTS



- NOTES:
1. FOR APPLICATION IN UNPAVED AREAS.
 2. SEE UTILITY PLAN FOR PIPE SIZE AND MATERIAL.

5 SANITARY CLEANOUT NTS

Ingenium
PLANNING & ENGINEERING

221 ROSWELL ST.
SUITE 100
ALPHARETTA, GA 30009
770.427.0599
WWW.INGENIUMPLANNING.COM

THIS ITEM HAS BEEN DIGITALLY SIGNED AND SEALED BY JAMES D. NEFF, P.E. ON THE DATE ADJACENT TO THE SEAL.

PRINTED COPIES OF THIS DOCUMENT ARE NOT CONSIDERED SIGNED AND SEALED AND THE SIGNATURE MUST BE VERIFIED ON ANY ELECTRONIC COPIES.

STATE OF FLORIDA
AUTHORIZATION NUMBER
8570

PLANS PREPARED BY INGENIUM
ENTERPRISES FORMERLY GRIFFIN
CRAMFORD

PANDA EXPRESS / CTF PLAZA
3868 GULF BREEZE PARKWAY
GULF BREEZE, FLORIDA

CLIENT:

CTF NV DEVELOPMENTS, LLC
1120 N. TOWN CENTER DR., SUITE 150
LAS VEGAS, NV 89144
PHONE: (626) 799-8989

REVISION HISTORY

NO.	DATE	DESCRIPTION
1	11/21/2016	ISSUE FOR PERMITS
2	11/21/2016	ISSUE FOR PERMITS
3	11/21/2016	ISSUE FOR PERMITS
4	11/21/2016	ISSUE FOR PERMITS
5	11/21/2016	ISSUE FOR PERMITS
6	11/21/2016	ISSUE FOR PERMITS
7	11/21/2016	ISSUE FOR PERMITS
8	11/21/2016	ISSUE FOR PERMITS
9	11/21/2016	ISSUE FOR PERMITS
10	11/21/2016	ISSUE FOR PERMITS
11	11/21/2016	ISSUE FOR PERMITS
12	11/21/2016	ISSUE FOR PERMITS
13	11/21/2016	ISSUE FOR PERMITS
14	11/21/2016	ISSUE FOR PERMITS
15	11/21/2016	ISSUE FOR PERMITS
16	11/21/2016	ISSUE FOR PERMITS
17	11/21/2016	ISSUE FOR PERMITS
18	11/21/2016	ISSUE FOR PERMITS
19	11/21/2016	ISSUE FOR PERMITS
20	11/21/2016	ISSUE FOR PERMITS
21	11/21/2016	ISSUE FOR PERMITS
22	11/21/2016	ISSUE FOR PERMITS
23	11/21/2016	ISSUE FOR PERMITS
24	11/21/2016	ISSUE FOR PERMITS
25	11/21/2016	ISSUE FOR PERMITS
26	11/21/2016	ISSUE FOR PERMITS
27	11/21/2016	ISSUE FOR PERMITS
28	11/21/2016	ISSUE FOR PERMITS
29	11/21/2016	ISSUE FOR PERMITS
30	11/21/2016	ISSUE FOR PERMITS
31	11/21/2016	ISSUE FOR PERMITS
32	11/21/2016	ISSUE FOR PERMITS
33	11/21/2016	ISSUE FOR PERMITS
34	11/21/2016	ISSUE FOR PERMITS
35	11/21/2016	ISSUE FOR PERMITS
36	11/21/2016	ISSUE FOR PERMITS
37	11/21/2016	ISSUE FOR PERMITS
38	11/21/2016	ISSUE FOR PERMITS
39	11/21/2016	ISSUE FOR PERMITS
40	11/21/2016	ISSUE FOR PERMITS
41	11/21/2016	ISSUE FOR PERMITS
42	11/21/2016	ISSUE FOR PERMITS
43	11/21/2016	ISSUE FOR PERMITS
44	11/21/2016	ISSUE FOR PERMITS
45	11/21/2016	ISSUE FOR PERMITS
46	11/21/2016	ISSUE FOR PERMITS
47	11/21/2016	ISSUE FOR PERMITS
48	11/21/2016	ISSUE FOR PERMITS
49	11/21/2016	ISSUE FOR PERMITS
50	11/21/2016	ISSUE FOR PERMITS

UTILITY DETAILS I

C04.2
SHEET NUMBER