



PANDA RESTAURANT GROUP INC.
 1683 Walnut Grove Ave.
 Rosemead, California
 91770
 Telephone: 626.799.9898
 Facsimile: 626.372.8288

All ideas, designs, arrangement and plans indicated or represented by this drawing are the property of Panda Express Inc. and were created for use on this specific project. None of these ideas, designs, arrangements or plans may be used by or disclosed to any person, firm or corporation without the written permission of Panda Express Inc.

REVISIONS:

ISSUE DATE:

1	ISSUED FOR BID & PERMIT	12-11-18
2	BID SET	01-30-19

DRAWN BY: E.J.P.

PANDA PROJECT # S8-19-D6573
 ARCH PROJECT # P7336

cph
 Plans Prepared By
CPI, Inc.
 500 West Fulton St.
 Sanford, FL 32771
 Ph: 407-322-8841
 Licenses:
A Full Service A & E Firm
 Eng. C.O.A. No. 2750-E
 Survey L.B. No. CA-699-L5
 Arch. Lic. No. 285-342

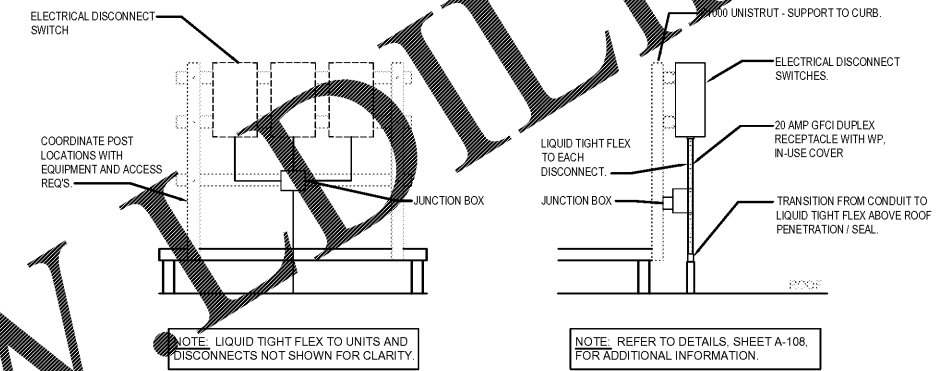


PANDA EXPRESS
 WARM & WELCOME 2200
 ATLANTIC BLVD & MARKETPLACE DR
 JACKSONVILLE, FL 32225

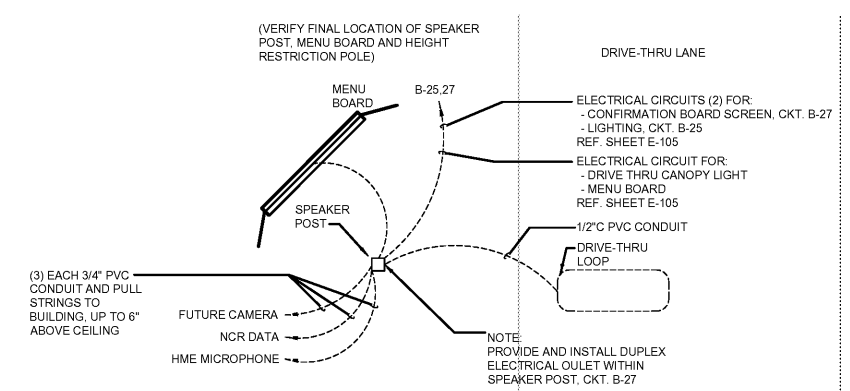
E-401

ELECTRICAL DETAILS, DIAGRAMS

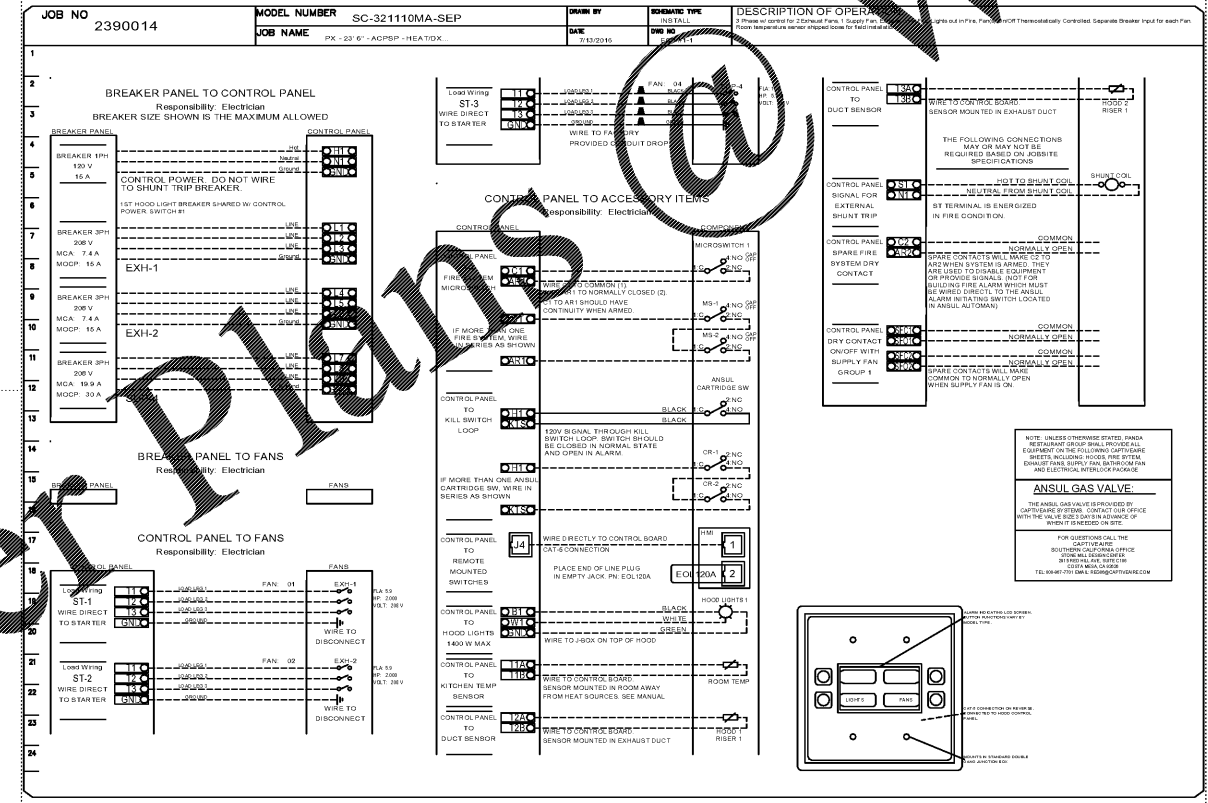
TRUE WARM & WELCOME 2200



EQUIPMENT DISCONNECT SWITCH SUPPORT 2
 NOT TO SCALE E-401



MENU BOARD & SENSOR LOOP 1
 NOT TO SCALE E-401



KITCHEN EXHAUST SYSTEM DIAGRAM 3
 NOT TO SCALE E-401

Order Plans @ WWW.LDOnline.com