



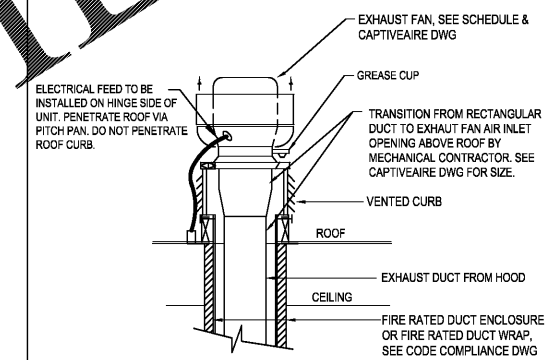
PANDA RESTAURANT GROUP INC.  
1683 Walnut Grove Ave.  
Rosemead, California  
91770  
Telephone: 626.799.9698  
Facsimile: 626.372.8288

All ideas, designs, arrangement and plans indicated or represented by this drawing are the property of Panda Express Inc. and were created for use on this specific project. None of these ideas, designs, arrangements or plans may be used by or disclosed to any person, firm, or corporation without the written permission of Panda Express Inc.

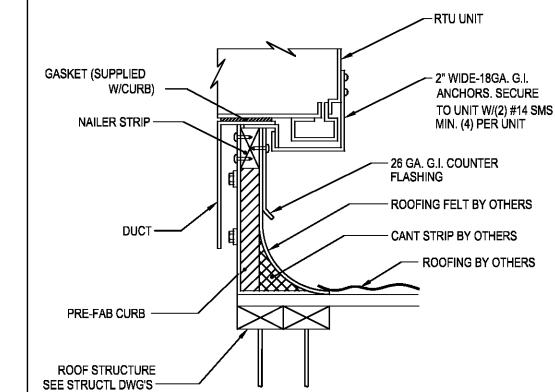
REVISIONS:


ISSUE DATE:

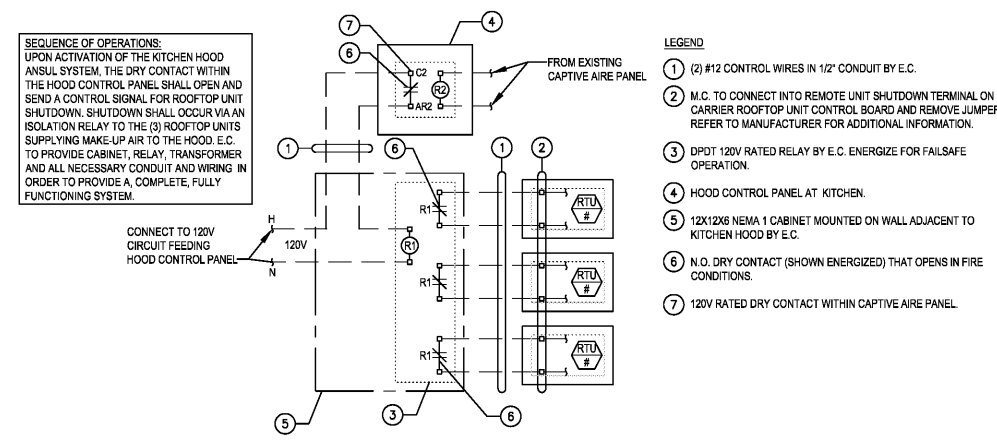
1	ISSUED FOR BID & PERMIT	12-11-18
2	BID SET	01-30-19



**GREASE EXHAUST FAN DETAIL** 3  
Scale: NO SCALE M-501



**RTU UNIT CURB DETAIL** 2  
Scale: NO SCALE M-501



**RTU CONTROL WIRING DIAGRAM** 5  
Scale: NO SCALE M-501

20 Scale: NO SCALE M-501

16 Scale: NO SCALE M-501

19 Scale: NO SCALE M-501

15 Scale: NO SCALE M-501

18 Scale: NO SCALE M-501

14 Scale: NO SCALE M-501

17 Scale: NO SCALE M-501

13 Scale: NO SCALE M-501

**Order Plans @**

**WWW.LDILINE.COM**

**PANDA EXPRESS**  
WARM & WELCOME 2200  
ATLANTIC BLVD & MARKETPLACE DR  
JACKSONVILLE, FL 32225

**gph**  
www.gphcorp.com  
Full Service A & E Firm

Prepared by:  
**CPL, Inc.**  
500 West Fulton St.  
Sanford, FL 32771  
Ph: 407.322.9641

Licenses:  
Eng. C.O.A. No. 7750-E  
Survey L.B. No. CA-509-LB  
Arch. L.C. No. 285-942

DAVID J. MELFORD  
LICENSE  
No. 72405  
STATE OF  
FLORIDA  
PROFESSIONAL ENGINEER  
1/29/2019

DRAWN BY: SJM

PANDA PROJECT #: S8-19-D6573

ARCH PROJECT #: P7336