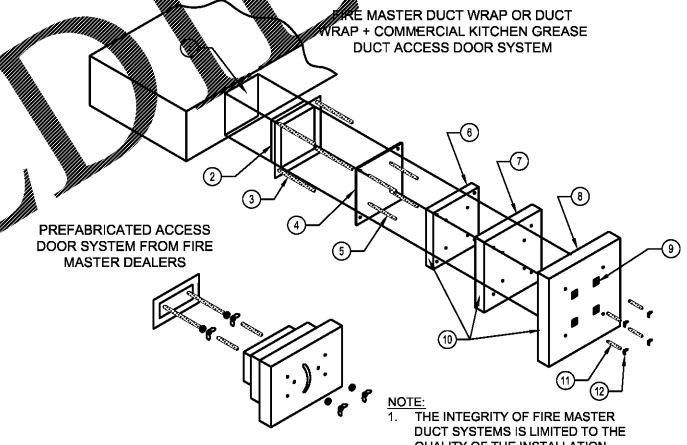
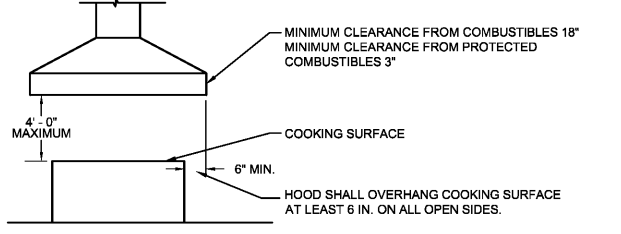
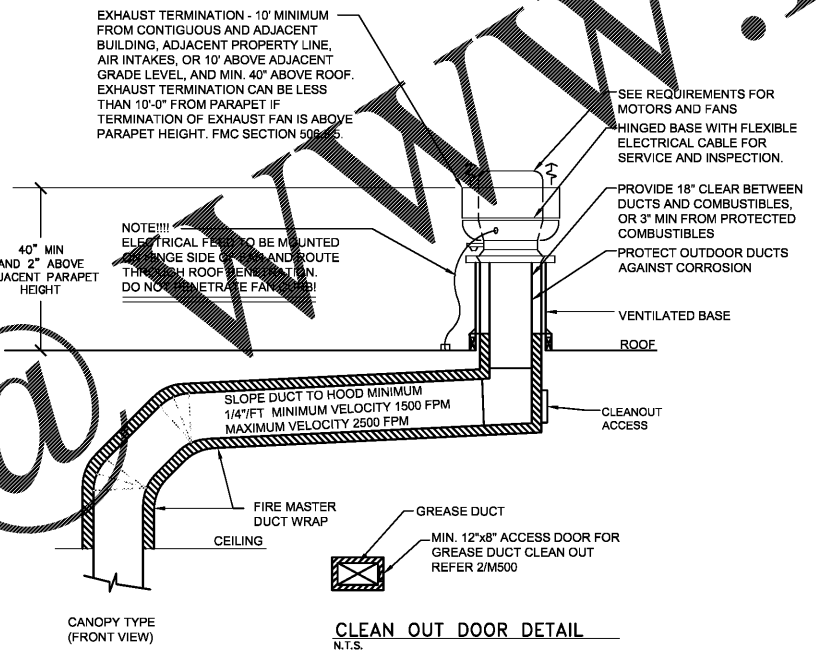


PERFORMANCE TEST FOR LISTED MECHANICAL HOOD IS REQUIRED PER FMC 507.16

- GREASE HOOD SYSTEM CALCULATION**
- TYPE - CANOPY TYPE I, STAINLESS STEEL 18 GAUGE.
 - COOKING EQUIPMENT: (2) CHINESE RANGE, (2) DEEP FRYER, RICE COOKER
 - SIZE: 22'-6" x 4'-0" + 2'-0" MAKEUP AIR PLENUM
 - MIN. REQ'D CAPACITY CFM: (2) U.L. LISTED HOOD @ 3,450 CFM EACH
 - PROPOSED (2) EXHAUST FAN & (1) MAKE-UP AIR UNIT, EF1 & EF2 (3,450 CFM EACH); MAU1 (5,520 CFM, 80% OF EXHAUST)
 - EXHAUST DUCT SIZE: 22"x14"
 - EXHAUST VELOCITY @ EXHAUST DUCT $3450 / (22 \times 14 \times 144) = 1612$ FPM 1500 FPM < 1612 FPM < 2500 FPM
 - EXHAUST FAN (EF1 & EF2) AND MAKE-UP AIR UNIT (MAU1) SHALL BE ELECTRICALLY INTERLOCKED
 - FOR CODE COMPLIANCE SEE DETAIL
 - FOR FILTER INFORMATION SEE CAPTIVEAIRE DWG #M-400.
 - INTERLOCK RTU FANS TO OPERATE WITH KEF'S FOR MAKEUP AIR.

- INFORMATIONAL GUIDE FOR COMMERCIAL COOKING HOODS**
- STAINLESS STEEL TO BE NO. 18 U.S. GAGE.
 - WHEN GUTTERS ARE PROVIDED THEY SHALL DRAIN TO A COLLECTING PAN WHICH IS READILY ACCESSIBLE FOR CLEANING
 - SEE TABLE 507.11 FOR MINIMUM DISTANCE BETWEEN LOWER EDGE OF GREASE FILTER AND THE COOKING OR HEATING SURFACE.
 - GREASE FILTERS SHALL BE OF STEEL CONSTRUCTION AND READILY ACCESSIBLE FOR CLEANING.
 - ALL JOINTS AND SEAMS SHALL BE GREASE TIGHT.
 - HOODS SHALL BE SECURELY FASTENED IN PLACE BY INCOMBUSTIBLE SUPPORTS.

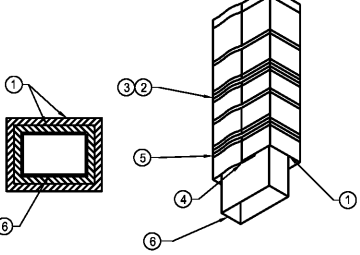
- NOTES**
- PROVIDE ADEQUATE CLEANOUT OPENINGS FOR THOROUGH CLEANING OF DUCT SYSTEM. SECTIONS OF GREASE DUCTS THAT ARE INACCESSIBLE FROM THE HOOD OR DISCHARGE OPENINGS SHALL BE PROVIDED WITH CLEANOUT OPENINGS SPACED NOT MORE THAN 20 FEET APART AND NOT MORE THAN 10 FEET FROM CHANGES IN DIRECTION GREATER THAN 45 DEGREES.
 - PROVIDE ADEQUATE MAKE-UP AIR FOR PROPER OPERATION.
 - PROVIDE A SEPARATE DUCT SYSTEM FOR EACH HOOD.
 - THICKNESS OF DUCTS SHALL BE:
DUCT AREA U.S. GAGE STEEL
UP TO 4 SQ. FT. 18 GA
OVER 4 SQ. FT. 14 GA
 - WELD OR BRAZE ALL DUCT JOINTS AND SEAMS ON THE EXTERNAL SURFACE.
 - SUPPORT THE DUCTS AS REQUIRED. DO NOT PENETRATE DUCT WALLS WITH SCREWS, NAILS, ETC.
 - SECTIONS OF DUCT SHALL NOT CONTAIN GREASE POCKETS.



FIRE MASTER DUCT WRAP OR DUCT WRAP+	
1	DOOR HOLE
2	ACCESS FRAME WELDED TO DUCT
3	1/2" DIA. ALL THREAD RODS
4	ACCESS COVER - 18 GAUGE
5	INSULATION PINS - WELDED
6	ONE LAYER FIRE MASTER DUCT WRAP OR DUCT WRAP +
7	ONE LAYER FIRE MASTER DUCT WRAP OR DUCTWRAP + 1" OVERLAP
8	ONE LAYER FIRE MASTER DUCT WRAP OR DUCTWRAP + 1" OVERLAP
9	SPEED CLIPS
10	ALUMINUM TAPE AT EDGES
11	SPOOL PIECES FOR THREADED RODS
12	1/2" DIA. WING NUTS

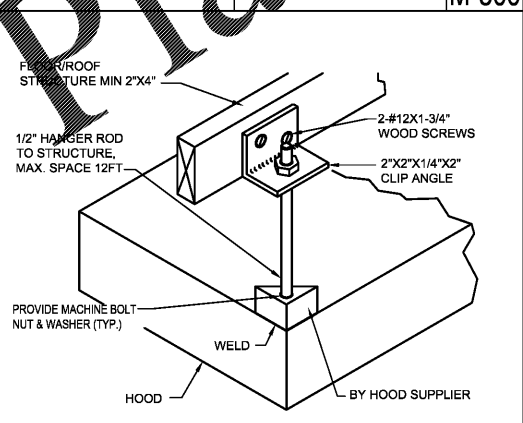
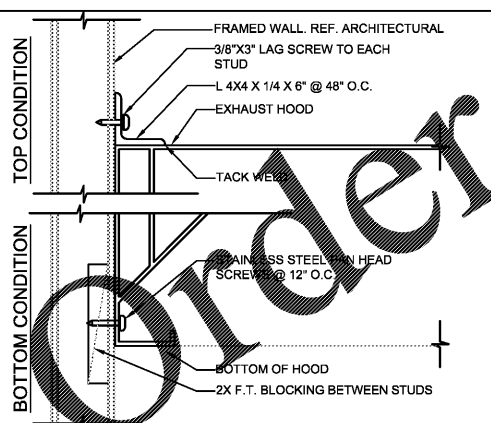
GREASE DUCT ACCESS DOOR 2
M-500

NOTE: GREASE EXHAUST DUCT INSULATION TYPE: FIRE MASTER FASTWRAP+ SILICON SEALANT APPROVED FOR 2-HOUR STRUCTURE.



LEGEND	
1	TWO LAYERS FIRE MASTER FASTWRAP+
2	FILAMENT TAPE
3	BANDING
4	3-INCH PERIMETER OVERLAP
5	3-INCH LONGITUDINAL OVERLAP
6	GREASE DUCT

FOR S1: 1 INCH=25.4 MM UL # GL-16
FIGURE 2-HOUR FIRE-RESISTIVE PROTECTION SYSTEM FOR GREASE DUCTS



HOOD CLIP AT WALL 14
Scale: NO SCALE M-500

HOOD SUPPORT AT TRUSS 13
Scale: NO SCALE M-500

HOOD VENTILATION AND SECTION 5
Scale: NO SCALE M-500

2 HOUR GREASE DUCT WRAP 1
Scale: NO SCALE M-500



PANDA RESTAURANT GROUP INC.
1683 Walnut Grove Ave.
Rosemead, California 91770
Telephone: 626.799.9898
Facsimile: 626.372.8288

All ideas, designs, arrangement and plans indicated or represented by this drawing are the property of Panda Express Inc. and were created for use on this specific project. None of these ideas, designs, arrangements or plans may be used by or disclosed to any person, firm, or corporation without the written permission of Panda Express Inc.

REVISIONS:

ISSUE DATE:
1 ISSUED FOR BID & PERMIT 12-11-18
2 BID SET 01-30-19

DRAWN BY: SJM

PANDA PROJECT #: S8-19-D6573
ARCH PROJECT #: P7336



PANDA EXPRESS
WARM & WELCOME 2200
ATLANTIC BLVD & MARKETPLACE DR
JACKSONVILLE, FL 32225

M-500

KITCHEN HOOD DETAILS

TRUE WARM & WELCOME 2200