

EXHAUST FAN INFORMATION - Job#3627099

FAN UNIT NO.	TAG	FAN UNIT MODEL #	CFM	ESP.	RPM	H.P.	B.H.P.	Ø	VOLT	FLA	DISCHARGE VELOCITY	WEIGHT (LBS.)	SDNES
1		NCA16FA	3450	1.250	1223	2.000	1.3860	3	208	5.9	797 FPM	184	17.6
2		NCA16FA	3450	1.250	1223	2.000	1.3860	3	208	5.9	797 FPM	184	17.6
3		DD7FA	450	0.250	1128	0.250	0.0850	1	115	4.8		90	6.2

MUA FAN INFORMATION - Job#3627099

FAN UNIT NO.	TAG	FAN UNIT MODEL #	BLOWER	HOUSING	MIN CFM	DESIGN CFM	ESP.	RPM	H.P.	B.H.P.	Ø	VOLT	FLA	COOLING COIL ENTERING DB TEMP.	COOLING COIL ENTERING WB TEMP.	COOLING COIL LEAVING DB TEMP.	COOLING COIL LEAVING WB TEMP.	COOLING COIL TOTAL CAPACITY	COOLING COIL SENSIBLE CAPACITY	COOLING COIL LATENT CAPACITY	WEIGHT (LBS.)	SDNES	BURNER EFFICIENCY(%)
4		A3-D.500-G18	G18-PB	A3-D.500	3500	5520	0.750	922	5.000	3.7620	3	208	15.0	95.0°F	78.0°F	81.6°F	72.6°F	120.0 MBH	77.9 MBH	42.1 MBH	1695	17.7	92

GAS FIRED MAKE-UP AIR UNIT(S)

FAN UNIT NO.	TAG	INPUT BTUs	OUTPUT BTUs	TEMP. RISE	REQUIRED INPUT GAS PRESSURE	GAS TYPE
4	407160	374587	65 deg F	7 in. w.c. - 14 in. w.c.	Natural	

FAN OPTIONS

FAN UNIT NO.	TAG	OPTION (Qty. - Descr.)
1		1 - Grease Box 1 - Upblast Fan Wheel Access Port
2		1 - Grease Box 1 - Upblast Fan Wheel Access Port
3		1 - I 15-BDD Damper
4		1 - AC Interlock Relay - 24VAC Coil 1 - Low Fire Start 1 - Inlet Pressure Gauge, 0-35" 1 - Manifold Pressure Gauge, -5 to 15" wc 1 - Motorized Backdraft Damper for A3-D Housing 1 - DX Coil Module -3,000 to 7,000 CFM (10 Ton 2 Circuit Coil) 1 - Downturn Plenum for Size 3 DX Coil Module 1 - 10 Ton, 2 Circuit, 208/230V 3 Phase Condenser Kit. 4-6 week lead time. 1 - Curb Duct Hanger 1 - Cooling Thermostat and Relay (Not req for evap) 1 - DXM 3-1 Refrigeration Parts Kit - R410A 1 - Separate 120V Wiring Package (Required and used only for DCV or Prewire with VFD) - Three Phase Only

FAN ACCESSORIES

FAN UNIT NO.	TAG	EXHAUST			SUPPLY			
		GREASE CUP	GRAVITY DAMPER	WALL MOUNT	SIDE DISCHARGE	GRAVITY DAMPER	MOTORIZED DAMPER	WALL MOUNT
1		YES						
2		YES						
3			YES					
4							YES	

CURB ASSEMBLIES

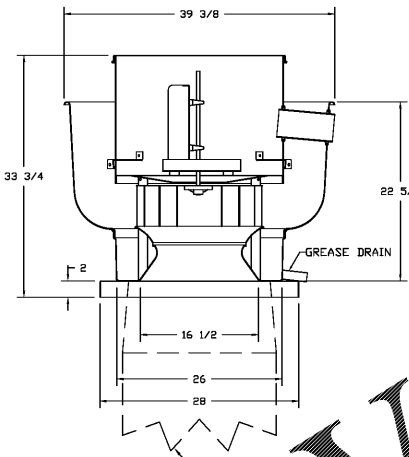
NO.	DN FAN	WEIGHT	ITEM	SIZE
1	# 1	34 LBS	Curb	26.500"W x 26.500"L x 24.000"H Vented Hinged
2	# 2	34 LBS	Curb	26.500"W x 26.500"L x 24.000"H Vented Hinged
3	# 3	18 LBS	Curb	19.500"W x 19.500"L x 12.000"H
4	# 4	30 LBS	Roll	6.000"W x 35.000"L x 20.000"H
4	# 4	82 LBS	Curb	35.000"W x 84.000"L x 20.000"H Insulated

NOTE: UNLESS OTHERWISE STATED, PANDA RESTAURANT GROUP SHALL PROVIDE ALL EQUIPMENT ON THE FOLLOWING CAPTIVEAIRE SHEETS, INCLUDING: HOODS, FIRE SYSTEM, EXHAUST FANS, SUPPLY FAN, BATHROOM FAN AND ELECTRICAL INTERLOCK PACKAGE.

ANSUL GAS VALVE:
THE ANSUL GAS VALVE IS PROVIDED BY CAPTIVEAIRE SYSTEMS. CONTACT OUR OFFICE WITH THE VALVE SIZE 3 DAYS IN ADVANCE OF WHEN IT IS NEEDED ON SITE.

FOR QUESTIONS CALL THE CAPTIVEAIRE SOUTHERN CALIFORNIA OFFICE
2915 HILL STREET SUITE 206
COSTA MESA, CA 92626
TELE: 949-967-7700 EMAIL: REVENUE@CAPTIVEAIRE.COM

FANS #1, #2 - NCA16FA EXHAUST FAN



- FEATURES:**
- ROOF MOUNTED FANS
 - RESTAURANT MODEL
 - UL705 AND UL762 AND ULC-S645
 - AMCA SOUND AND AIR CERTIFIED
 - WIRING FROM MOTOR TO DISCONNECT SWITCH
 - WEATHERPROOF DISCONNECT
 - HIGH HEAT OPERATION 300°F (149°C)
 - GREASE CLASSIFICATION TESTING

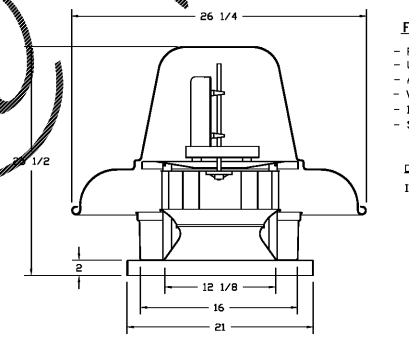
NORMAL TEMPERATURE TEST:
EXHAUST FAN MUST OPERATE CONTINUOUSLY WHILE EXHAUSTING AIR AT 300°F (149°C) UNTIL ALL FAN PARTS HAVE REACHED THERMAL EQUILIBRIUM, AND WITHOUT DETRIMENTARY EFFECTS TO THE FAN WHICH WOULD CAUSE UNSAFE OPERATION.

ABNORMAL FLARE-UP TEST:
EXHAUST FAN MUST OPERATE CONTINUOUSLY WHILE EXHAUSTING BURNING GREASE VAPOR AT 600°F (316°C) FOR A PERIOD OF 15 MINUTES WITHOUT THE FAN BECOMING DAMAGED TO ANY EXTENT THAT COULD CAUSE AN UNSAFE CONDITION.

- OPTIONS:**
- GREASE BOX
 - UPBLAST FAN WHEEL ACCESS PORT.

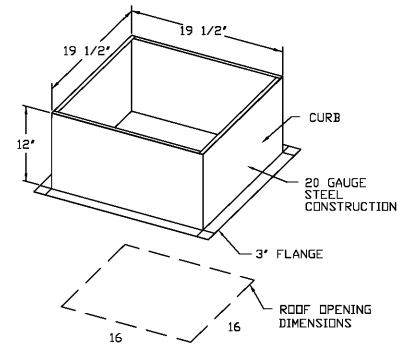
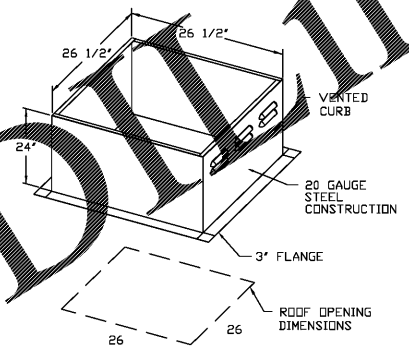
DUCTWORK BETWEEN EXHAUSTER ON HOOD AND FAN UNIT (SEE SHEETS)

FANS #3, #4 - DD7FA EXHAUST FAN



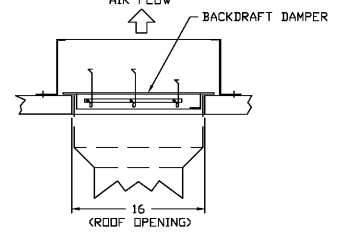
- FEATURES:**
- ROOF MOUNTED FANS
 - UL705
 - AMCA SOUND AND AIR CERTIFIED
 - WIRING FROM MOTOR TO DISCONNECT SWITCH
 - DISCONNECT SWITCH
 - STANDARD BIRD SCREEN

- OPTIONS:**
- I 15-BDD DAMPER.



PITCHED CURBS ARE AVAILABLE FOR PITCHED ROOFS.
SPECIFY PITCH: EXAMPLE: 7/12 PITCH = 30° SLOPE

BACKDRAFT DAMPER INSTALLATION



REVISIONS

DESCRIPTION	DATE

CAPTIVEAIRE
Southern California Office
3002 Dow Ave., Suite 410, Tustin, CA 92780 PHONE: (714) 967-1500 FAX: (919) 227-5975 EMAIL: REG@CAPTIVEAIRE.COM

Panda Express - Jacksonville FL (06573)

DATE: 11/26/2018
DWG.#: 3627099
DRAWN BY: AHJ-86
SCALE: 3/4" = 1'-0"
MASTER DRAWING
SHEET NO. 3



PANDA RESTAURANT GROUP INC.
1683 Walnut Grove Ave.
Rosemead, California
91770
Telephone: 626.799.9898
Facsimile: 626.372.8288

All ideas, designs, arrangement and plans indicated or represented by this drawing are the property of Panda Express Inc. and were created for use on this specific project. None of these ideas, designs, arrangements or plans may be used by or disclosed to any person, firm, or corporation without the written permission of Panda Express Inc.

REVISIONS:

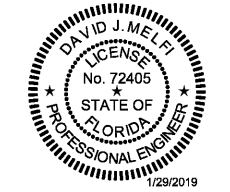
NO.	DESCRIPTION	DATE
1	ISSUED FOR BID & PERMIT	12-11-18
2	BID SET	01-30-19

DRAWN BY: SJM
PANDA PROJECT #: S8-19-D6573
ARCH PROJECT #: P7336

gph
www.gphcorp.com
A Full Service A & E Firm

Plans Prepared by:
CPH, Inc.
500 West Fulton St.
Sanford, FL 32771
Ph: 407.322.8841

Licenses:
Eng. C.O.A. No. 2750-E
Survey L.B. No. CA-309-L3
Arch. Lic. No. 285-342



PANDA EXPRESS
WARM & WELCOME 2200
ATLANTIC BLVD & MARKETPLACE DR
JACKSONVILLE, FL 32225

M-402

HOOD DETAIL PLAN

TRUE WARM & WELCOME 2200