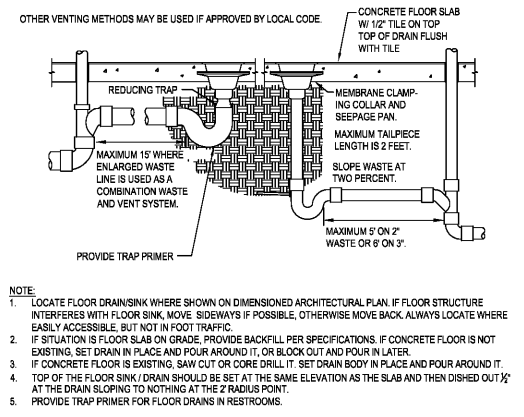


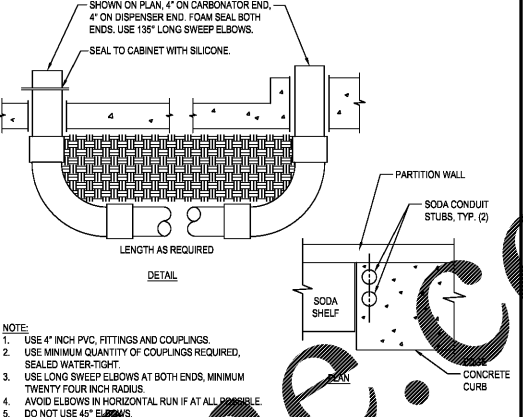
NOT USED 20
Scale: NO SCALE P-500

A.C. UNIT CONDENSATE DRAIN 16
Scale: NO SCALE P-500

NOT USED 12
Scale: NO SCALE P-500



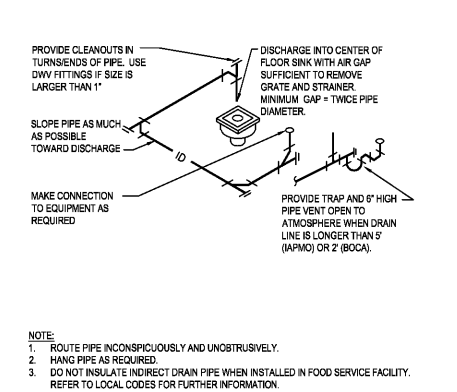
FLOOR DRAIN/SINK 8
Scale: NO SCALE P-500



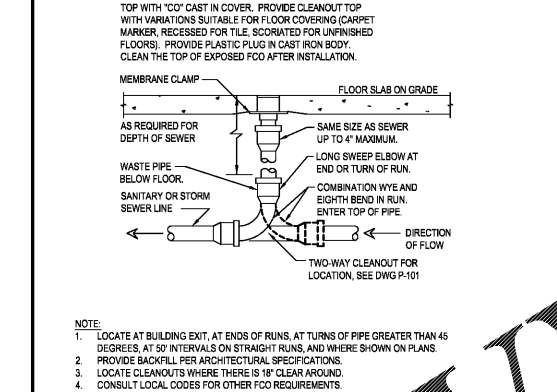
BELOW-GROUND SODA CONDUIT 4
Scale: NO SCALE P-500



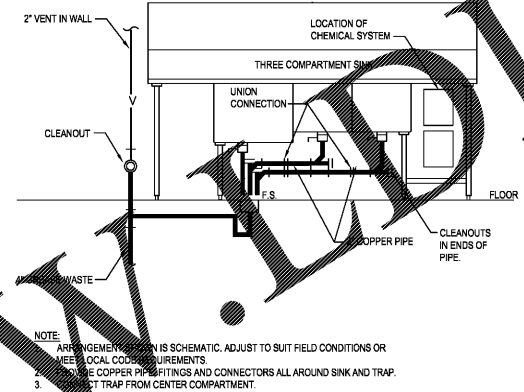
BAG-N-BOX DETAIL 19
Scale: NO SCALE P-500



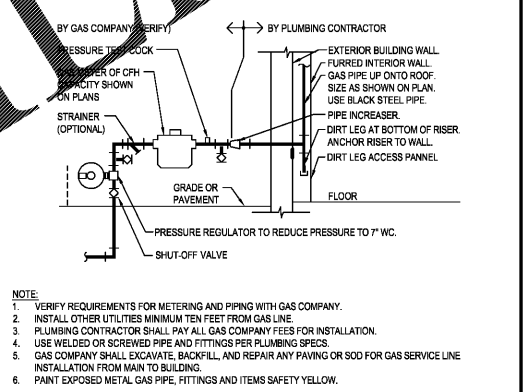
INDIRECT DRAIN 15
Scale: NO SCALE P-500



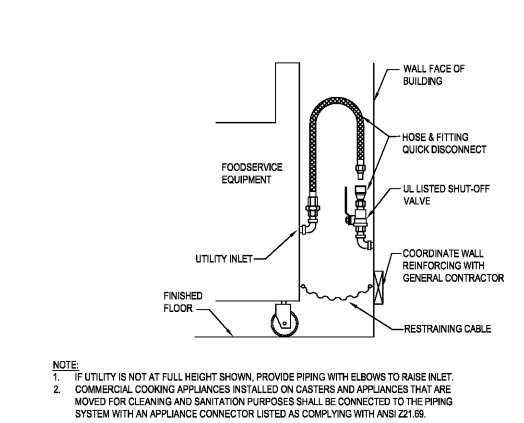
FLOOR CLEANOUT 11
Scale: NO SCALE P-500



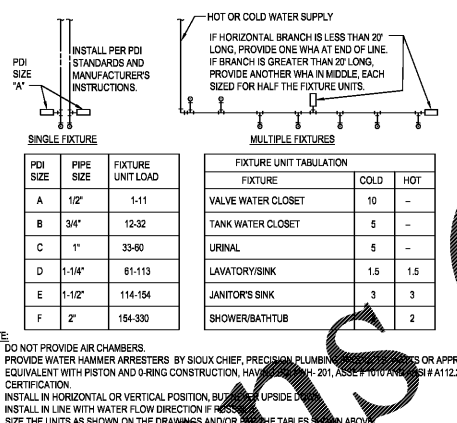
UTILITY/SINK 7
Scale: NO SCALE P-500



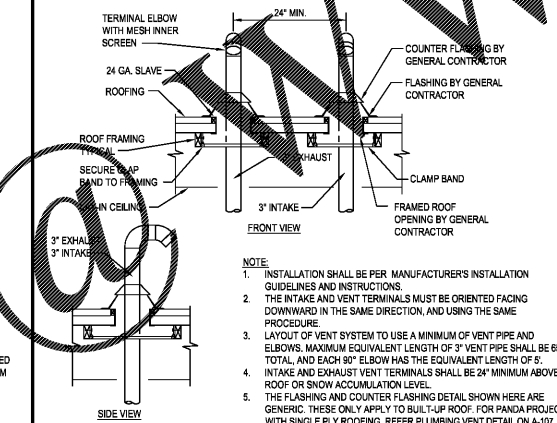
GAS SERVICE 3
Scale: NO SCALE P-500



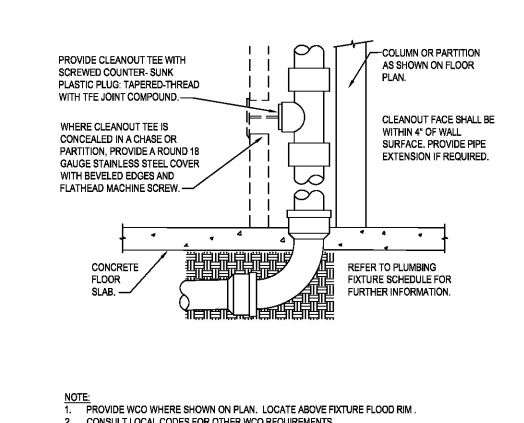
QUICK DISCONNECT 18
Scale: NO SCALE P-500



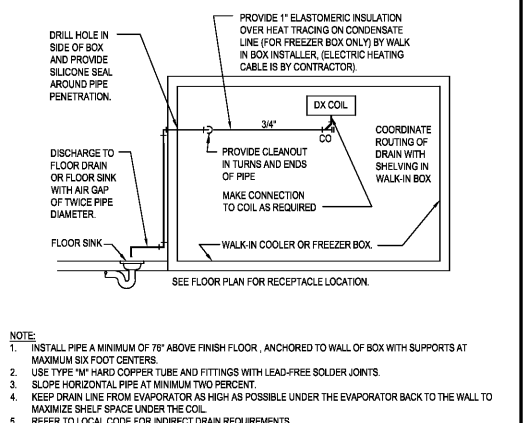
WATER HAMMER ARRESTERS 14
Scale: NO SCALE P-500



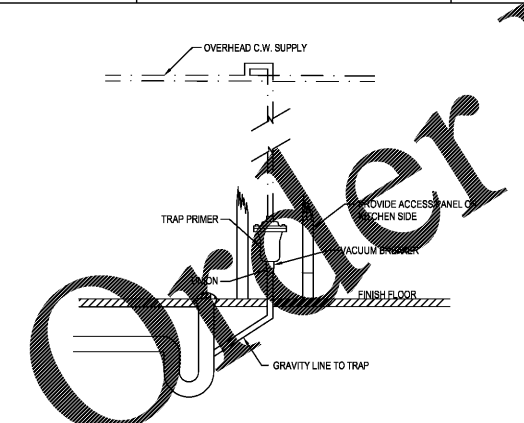
WH DIRECT VENT DETAIL 10
Scale: NO SCALE P-500



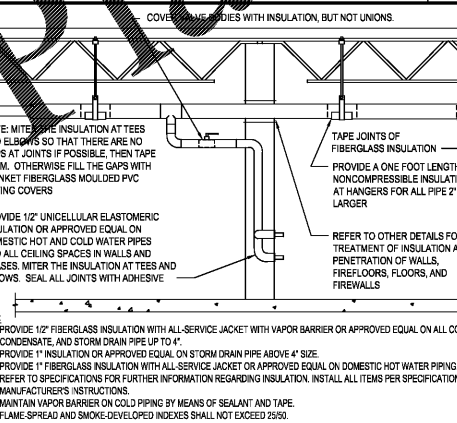
WALL CLEANOUT 6
Scale: NO SCALE P-500



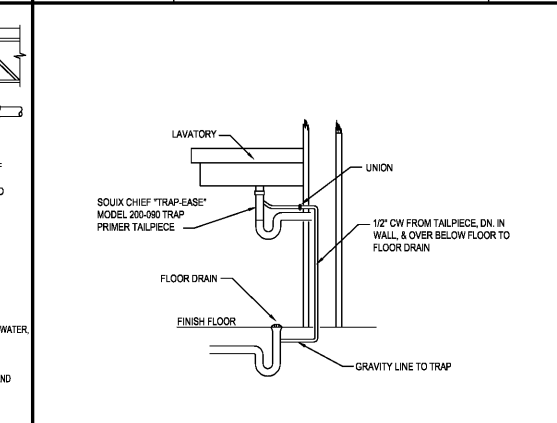
WALK-IN BOX CONDENSATE DRAIN 2
Scale: NO SCALE P-500



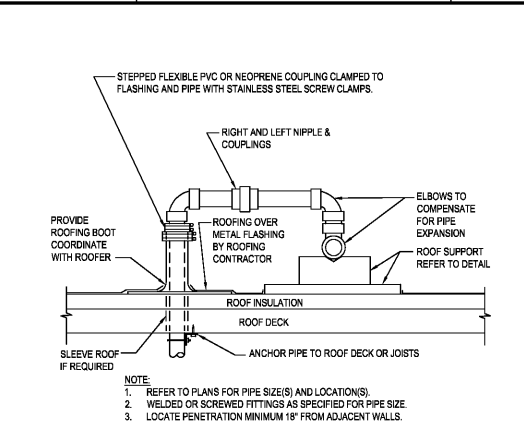
PREP. AREA TRAP PRIMER DETAIL 17
Scale: NO SCALE P-500



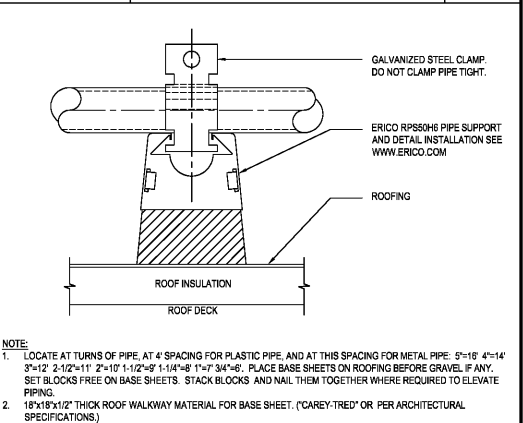
PIPE INSULATION 13
Scale: NO SCALE P-500



RESTROOM TRAP PRIMER DETAIL 9
Scale: NO SCALE P-500



GAS PIPE ROOF PENETRATION 5
Scale: NO SCALE P-500



ROOF PIPE SUPPORT 1
Scale: NO SCALE P-500



PANDA RESTAURANT GROUP INC.
1683 Walnut Grove Ave.
Rosemead, California
91770
Telephone: 626.799.9898
Facsimile: 626.372.8288

All ideas, designs, arrangement and plans indicated or represented by this drawing are the property of Panda Express Inc. and were created for use on this specific project. None of these ideas, designs, arrangements or plans may be used by or disclosed to any person, firm, or corporation without the written permission of Panda Express Inc.

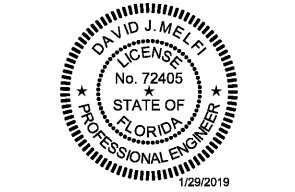
REVISIONS:

NO.	DESCRIPTION	DATE
1	ISSUED FOR BID & PERMIT	12-11-18
2	BID SET	01-30-19

ISSUE DATE:

1	ISSUED FOR BID & PERMIT	12-11-18
2	BID SET	01-30-19

DRAWN BY: SJM
PANDA PROJECT #: S8-19-D6573
ARCH PROJECT #: P7336



PANDA EXPRESS
WARM & WELCOME 2200
ATLANTIC BLVD & MARKETPLACE DR
JACKSONVILLE, FL 32225

P-500

PLUMBING DETAILS
TRUE WARM & WELCOME 2200