



PANDA RESTAURANT GROUP INC.
1683 Walnut Grove Ave.
Rosemead, California
91770
Telephone: 626.799.9898
Facsimile: 626.372.8288

All ideas, designs, arrangement and plans indicated or represented by this drawing are the property of Panda Express Inc. and were created for use on this specific project. None of these ideas, designs, arrangements or plans may be used by or disclosed to any person, firm, or corporation without the written permission of Panda Express Inc.

REVISIONS:

1	ISSUED FOR BID & PERMIT	12-11-18
2	BID SET	01-30-19

ISSUE DATE:

1	ISSUED FOR BID & PERMIT	12-11-18
2	BID SET	01-30-19

DRAWN BY:
PANDA PROJECT # S8-19-D6573
ARCH PROJECT # P7336

gph Plans Prepared By
GPH, Inc.
500 West Fulton St.
Sanford, FL 32771
Ph: 407-322-8841
Licenses:
Eng. C.O.A. No. 2750-E
Survey L.B. No. CA-669-S
Arch. Lic. No. 285-342

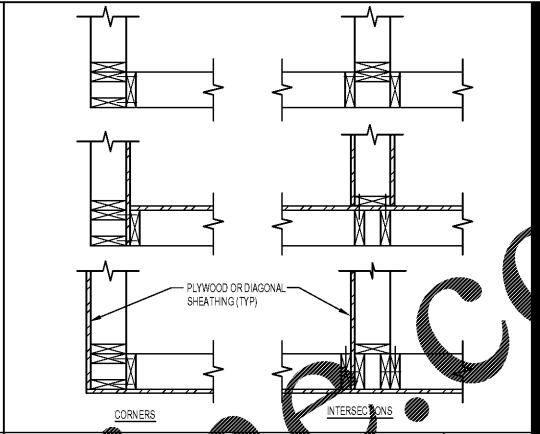
ANGEL RAFAEL FIGUEROA
LICENSED
No. 85016
STATE OF
FLORIDA
PROFESSIONAL ENGINEER
1/30/2019
ANGEL RAFAEL FIGUEROA, P.E.

PANDA EXPRESS
WARM & WELCOME 2200
ATLANTIC BLVD & MARKETPLACE DR
JACKSONVILLE, FL 32225

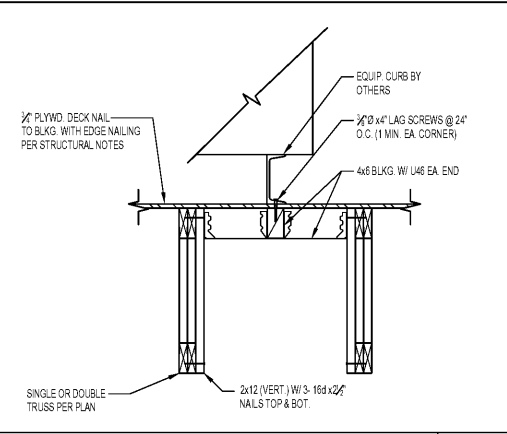
S-301

TYPICAL FRAMING DETAILS & SECTIONS

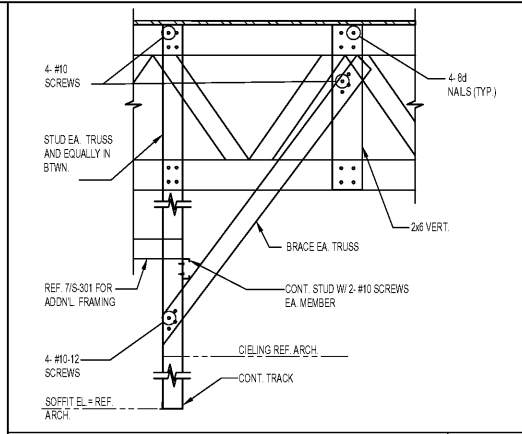
TRUE WARM & WELCOME 2200



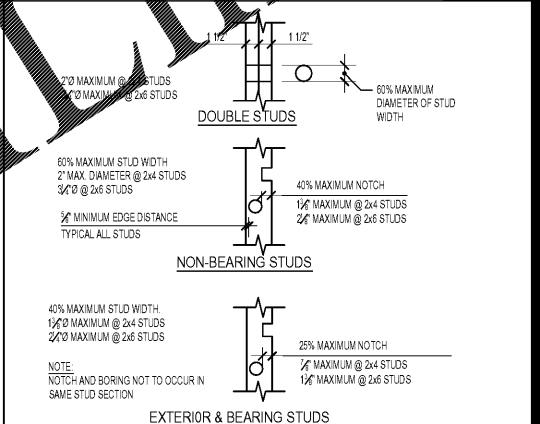
TYPICAL WALL FRAMING 4
SCALE: 1/4"=1'-0" S-301



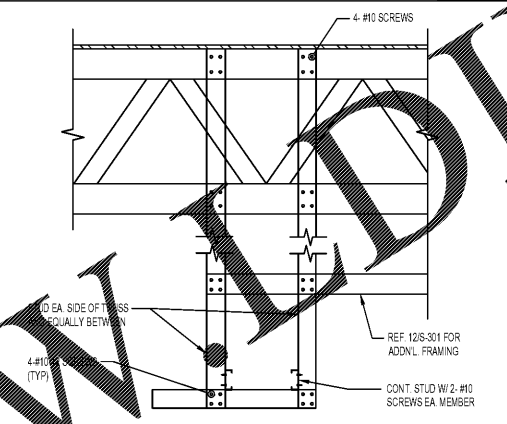
TYP. MECHANICAL SUPPORT UNIT 8
SCALE: 1/4"=1'-0" S-301



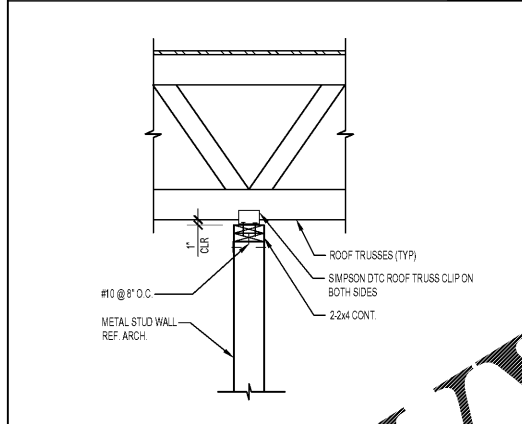
SOFFIT DETAIL @ SERV. COUNTER 12
SCALE: 1/4"=1'-0" S-301



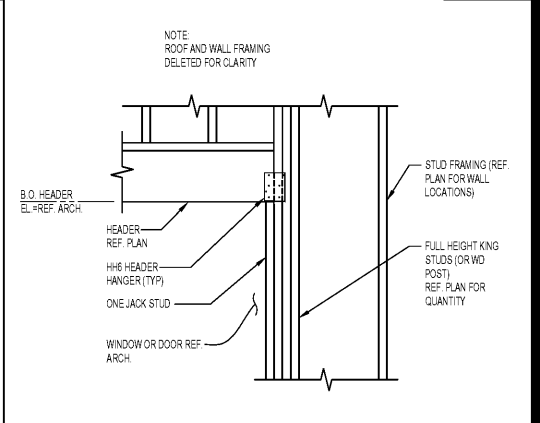
TYPICAL FRAMING NOTCHES 3
SCALE: N.T.S. S-301



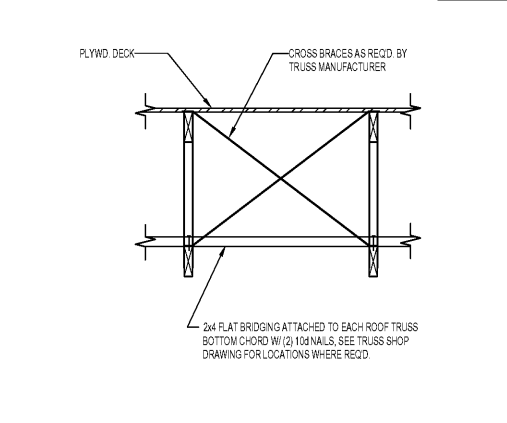
SOFFIT DETAIL @ SERV. COUNTER 7
SCALE: 1/4"=1'-0" S-301



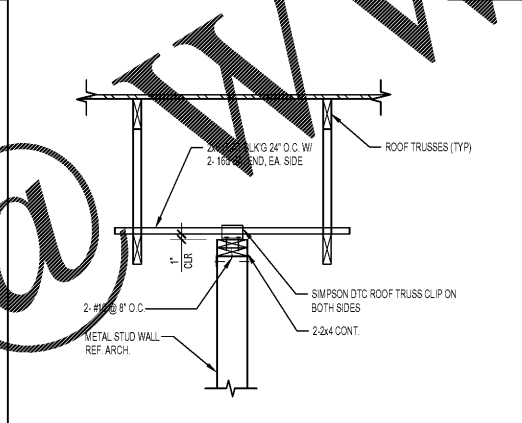
SUPPORT PERPENDICULAR TO TRUSS 11
SCALE: 1/4"=1'-0" S-301



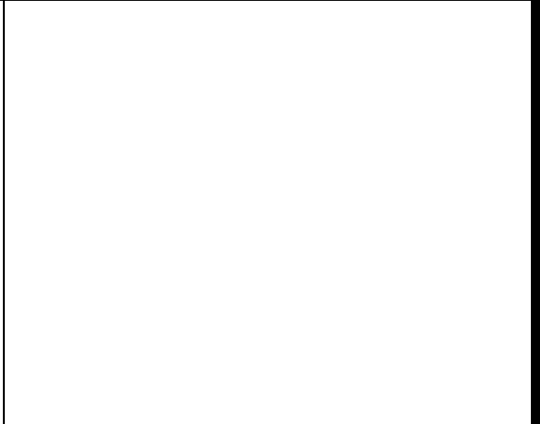
TYPICAL WOOD HEADER FRAMING 2
SCALE: 1/4"=1'-0" S-301



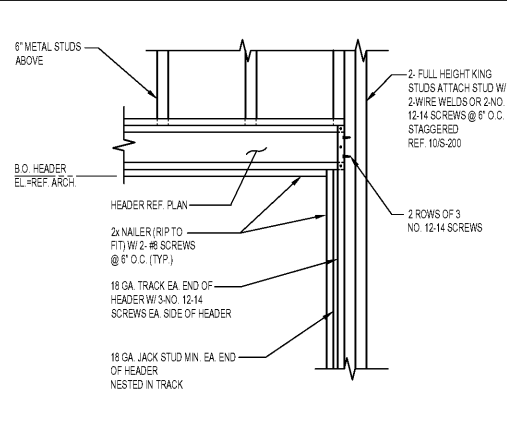
TYPICAL BRIDGING AND BRACING 6
SCALE: 1/4"=1'-0" S-301



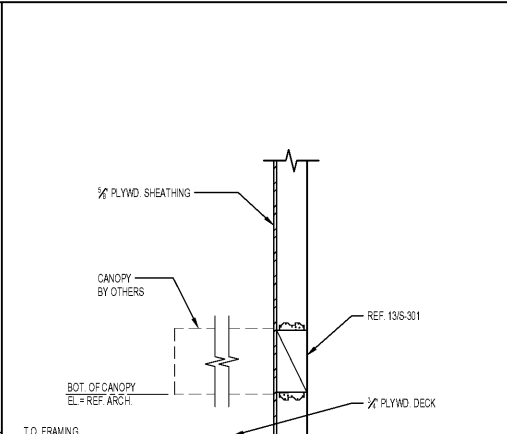
SUPPORT PARALLEL TO TRUSS 10
SCALE: 1/4"=1'-0" S-301



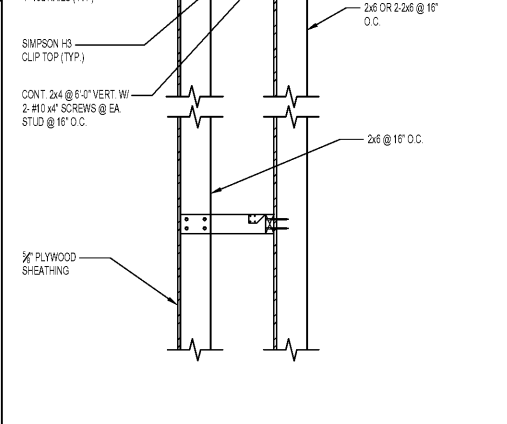
TYP. LIGHT GAGE HDR. FRAMING 5
SCALE: 1/4"=1'-0" S-301



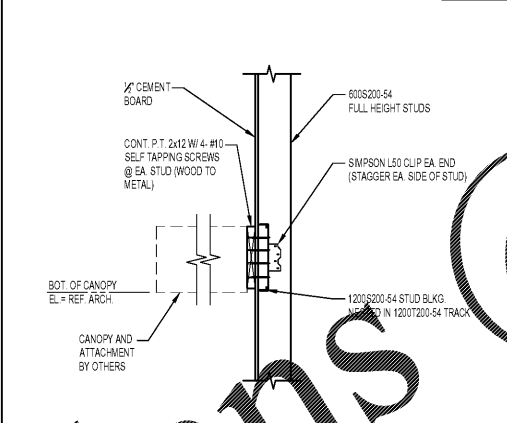
TYPICAL HANGER SUPPORT 9
SCALE: 1/4"=1'-0" S-301



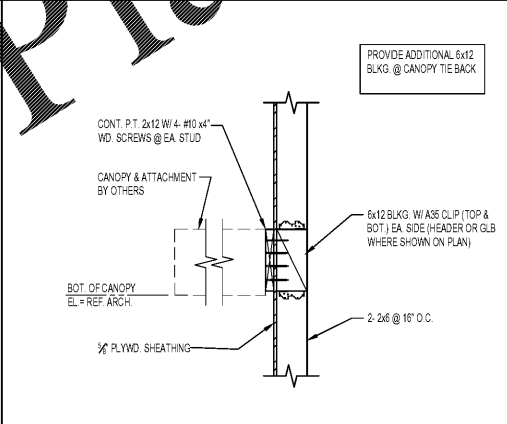
LARGE FRONT CANOPY BLKG. 13
SCALE: 1/4"=1'-0" S-301



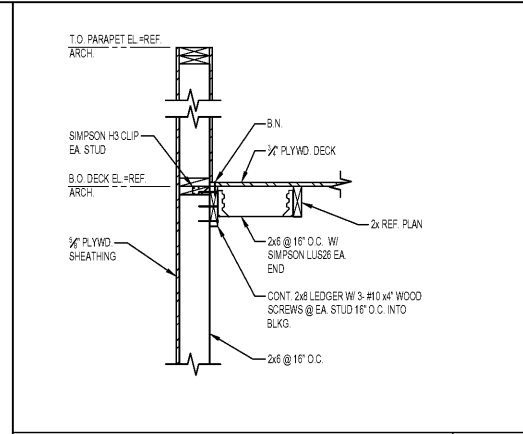
SMALL CANOPY BLKG. @ METAL STUD 14
SCALE: 1/4"=1'-0" S-301



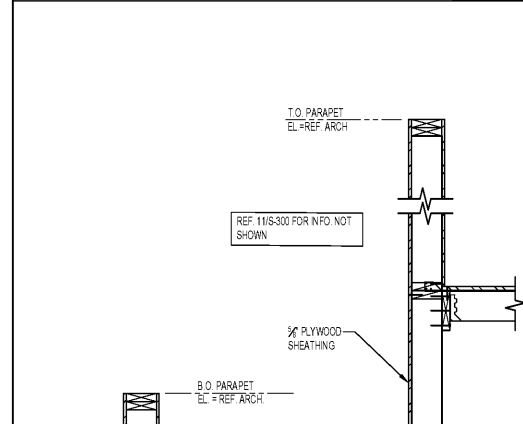
TYPICAL CANOPY BLOCK (U.N.O.) 17
SCALE: 1/4"=1'-0" S-301



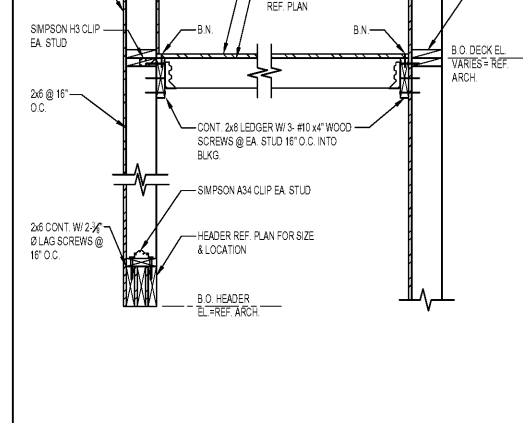
TYPICAL CANOPY BLOCK (U.N.O.) 17
SCALE: 1/4"=1'-0" S-301



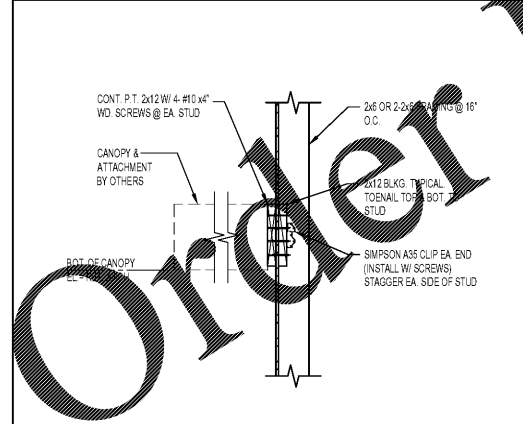
TYPICAL CANOPY BLOCK (U.N.O.) 17
SCALE: 1/4"=1'-0" S-301



TYPICAL CANOPY BLOCK (U.N.O.) 17
SCALE: 1/4"=1'-0" S-301



TYPICAL CANOPY BLOCK (U.N.O.) 17
SCALE: 1/4"=1'-0" S-301



TYPICAL CANOPY BLOCK (U.N.O.) 17
SCALE: 1/4"=1'-0" S-301

Order Plans @ WWW.PANDAEXPRESS.COM