



PANDA RESTAURANT GROUP INC.  
 1683 Walnut Grove Ave.  
 Rosemead, California  
 91770  
 Telephone: 626.799.9898  
 Facsimile: 626.372.8288

All ideas, designs, arrangement and plans indicated or represented by this drawing are the property of Panda Express Inc. and were created for use on this specific project. None of these ideas, designs, arrangements or plans may be used by or disclosed to any person, firm or corporation without the written permission of Panda Express Inc.

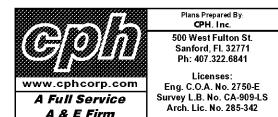
REVISIONS:


ISSUE DATE:

1	ISSUED FOR BID & PERMIT	12-11-18
2	BID SET	01-30-19

DRAWN BY:

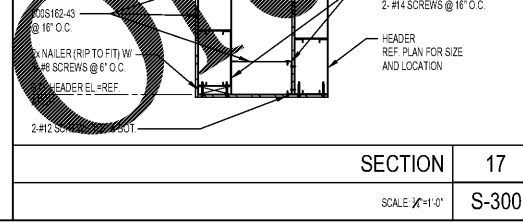
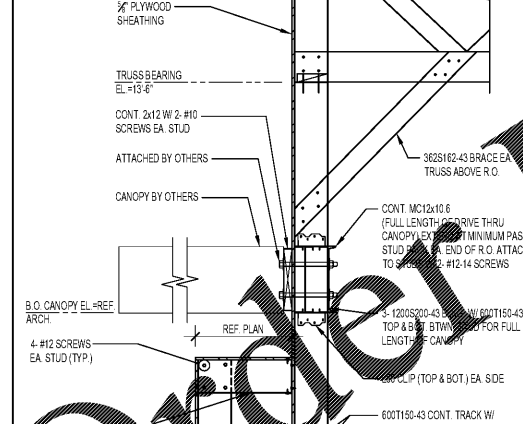
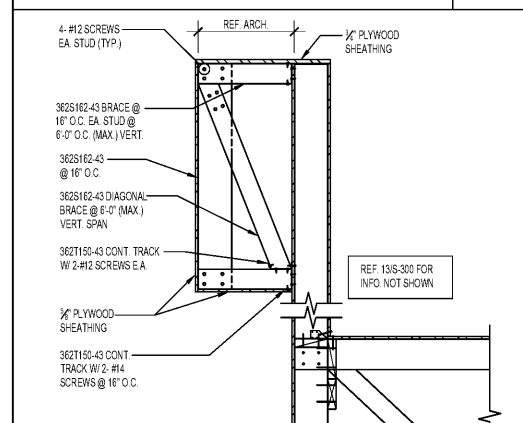
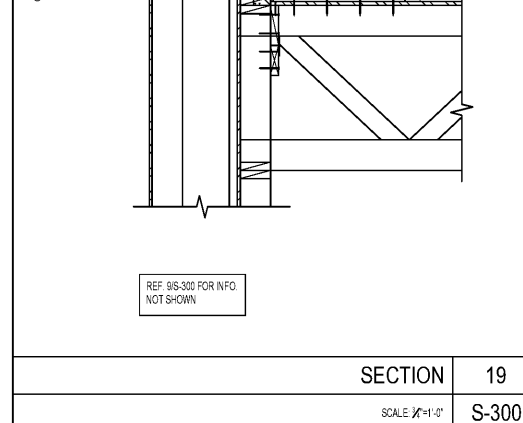
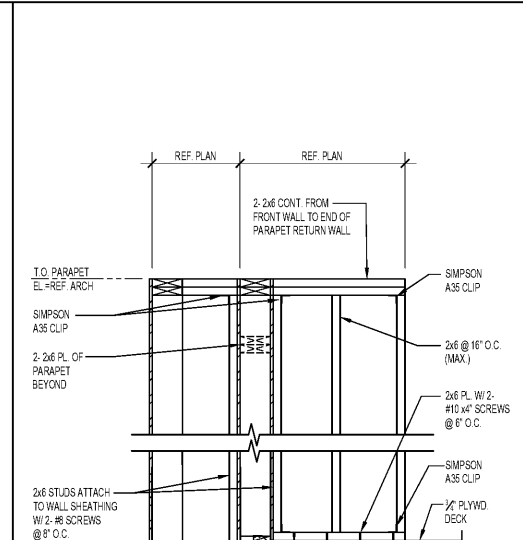
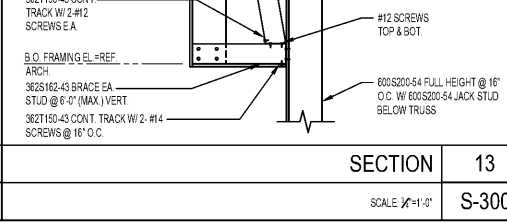
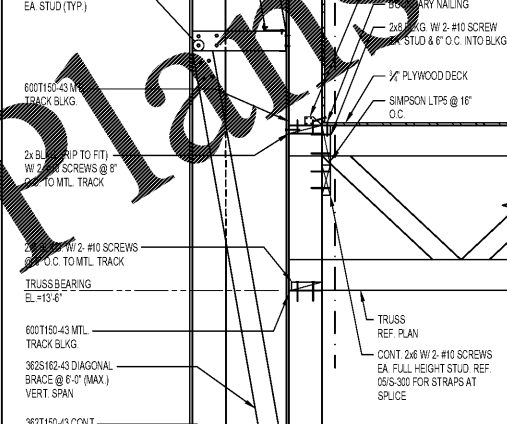
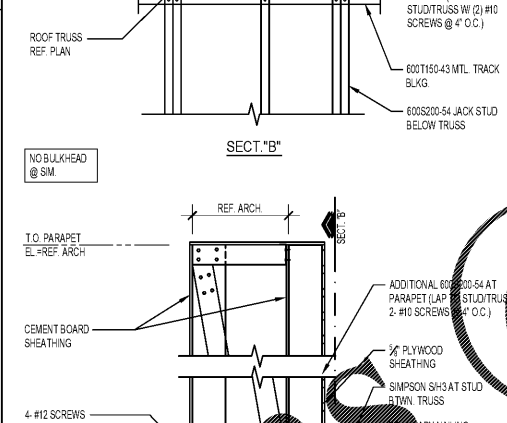
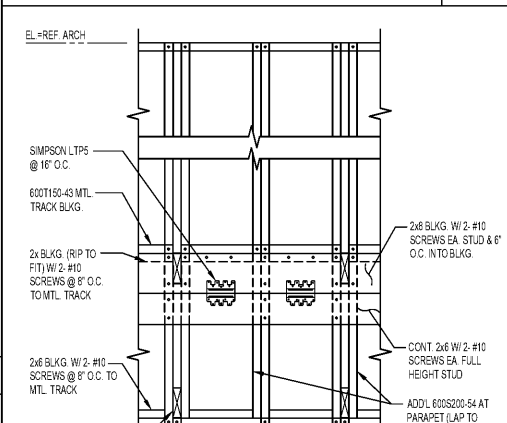
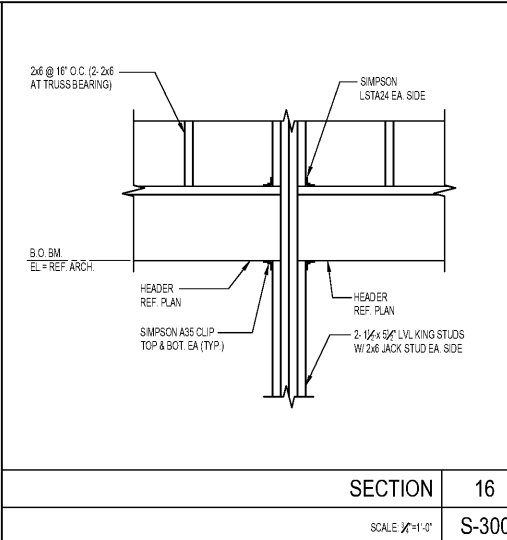
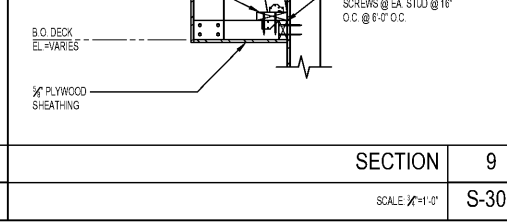
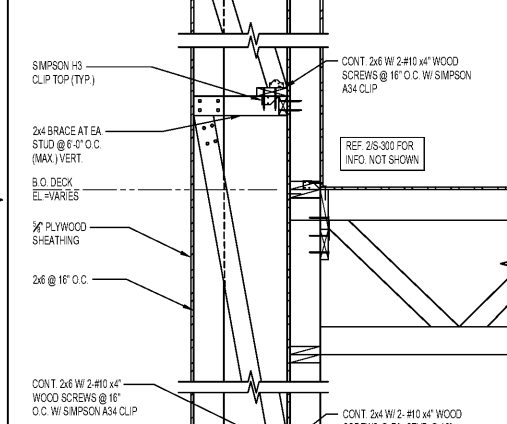
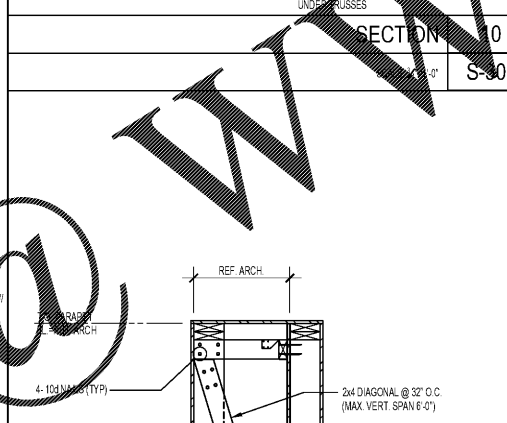
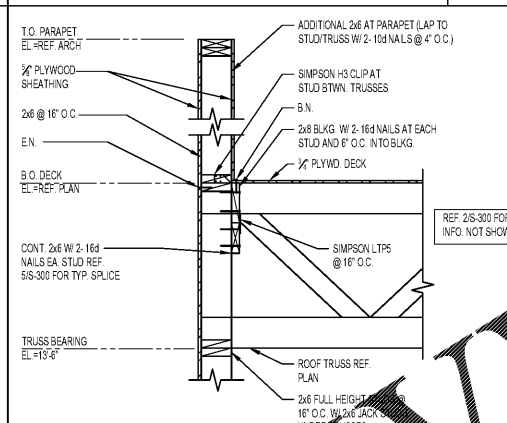
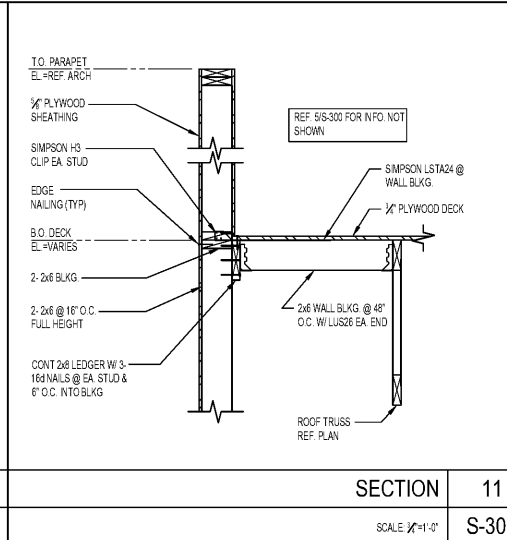
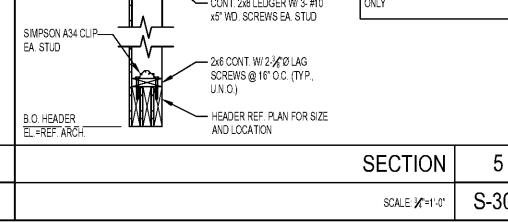
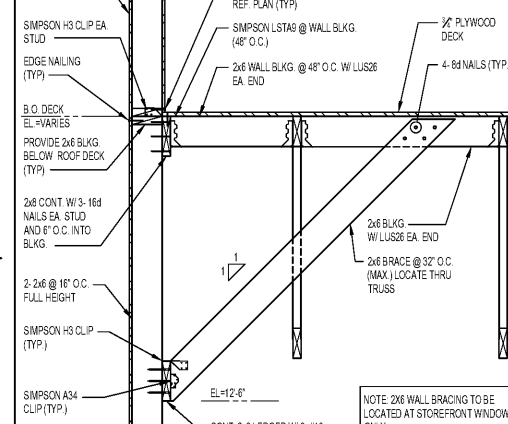
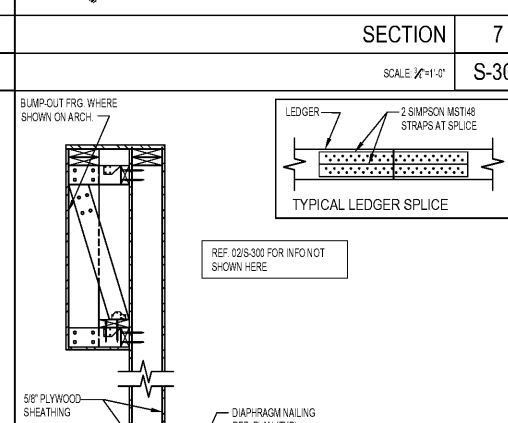
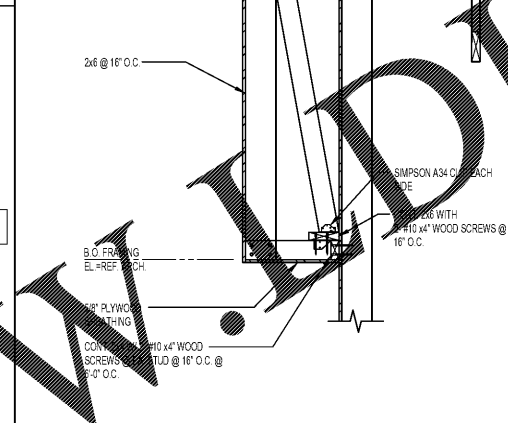
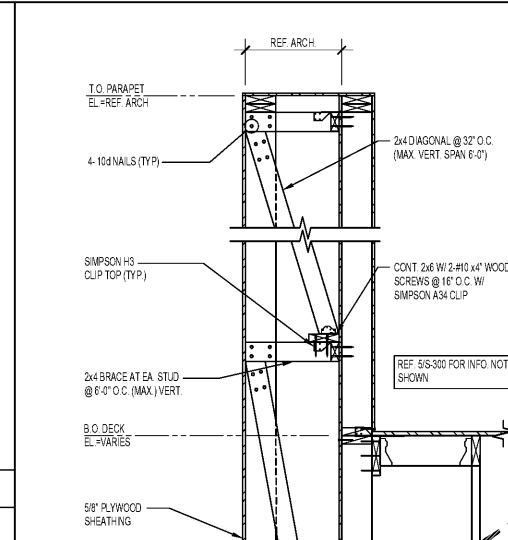
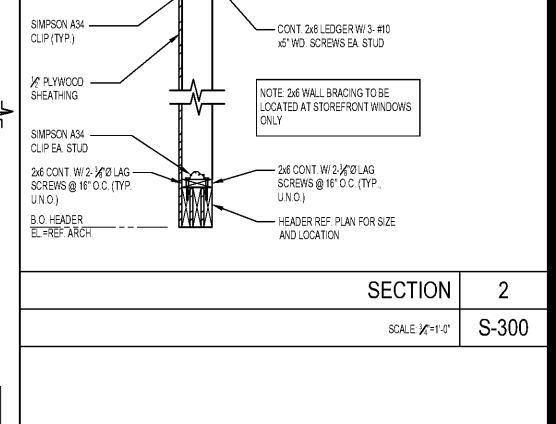
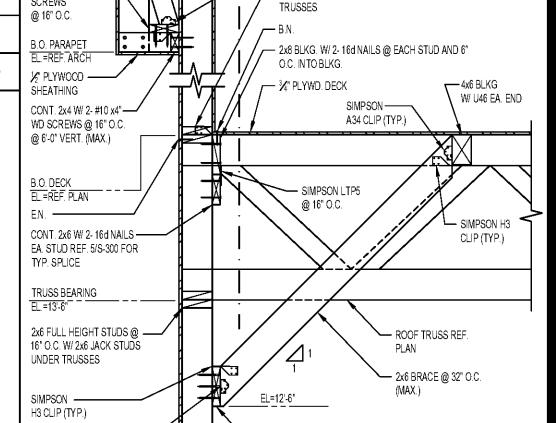
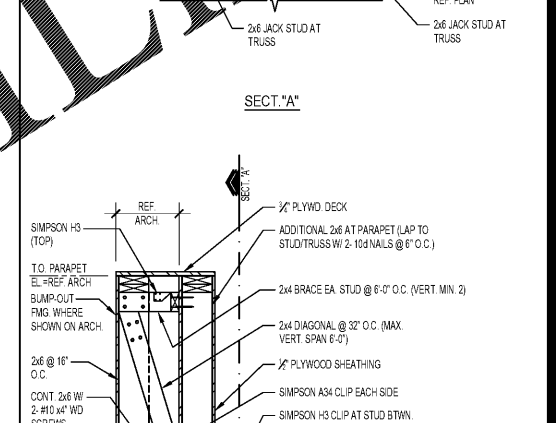
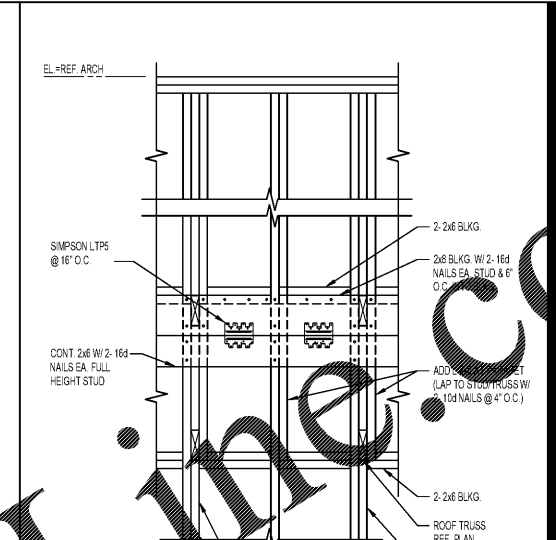
PANDA PROJECT # S8-19-D6573  
 ARCH PROJECT # P7336



**PANDA EXPRESS**  
 WARM & WELCOME 2200  
 ATLANTIC BLVD & MARKETPLACE DR  
 JACKSONVILLE, FL 32225

**S-300**  
 FRAMING SECTIONS

TRUE WARM & WELCOME 2200



**Order Plans @ WWW.WADLINE.CO**