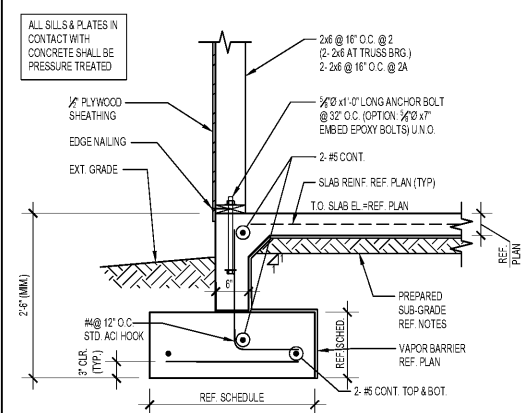
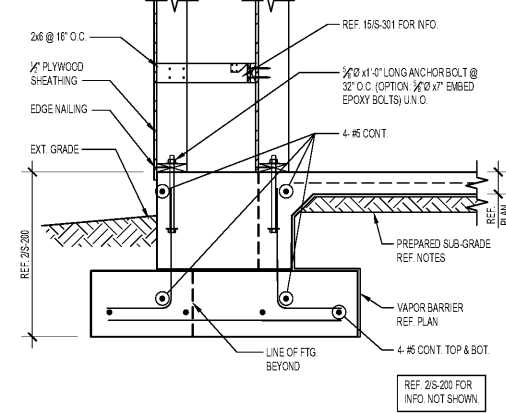


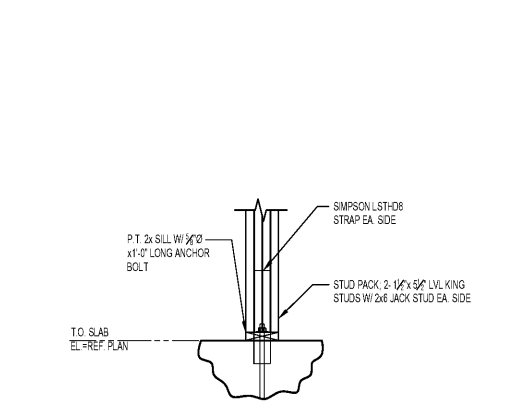
STEP FOOTING DETAIL  
SCALE 1/2"=1'-0"



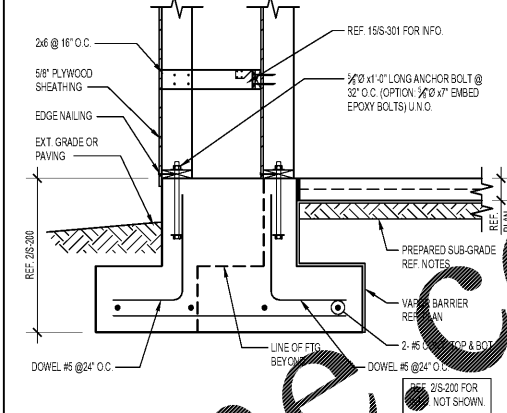
FOUNDATION DETAIL (2/S-200 ALTERNATE)  
SCALE 1/2"=1'-0"



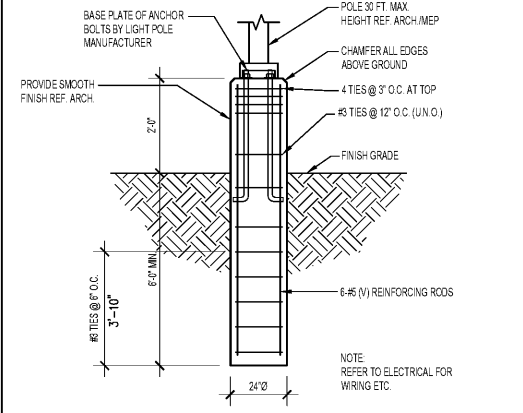
FOUNDATION DETAIL (4/S-200 ALTERNATE)  
SCALE 1/2"=1'-0"



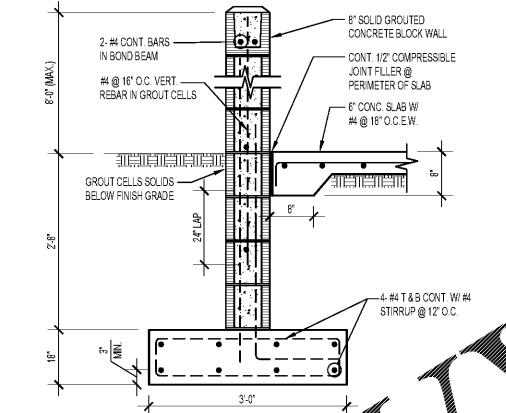
SECTION "A"  
SCALE 1/2"=1'-0"



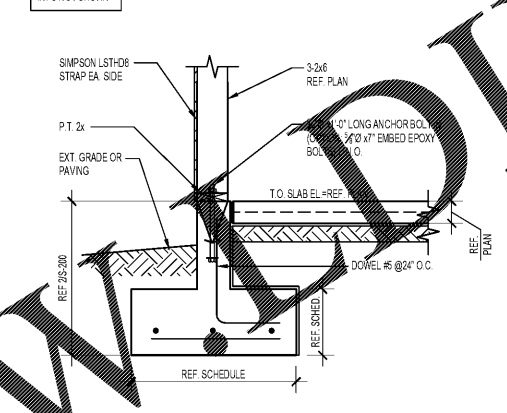
SECTION  
SCALE 1/2"=1'-0"



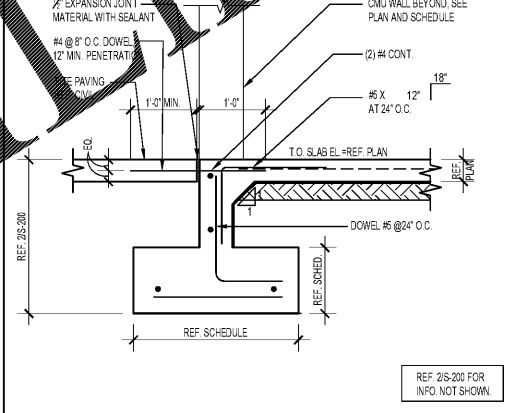
TYPICAL LIGHT POLE SECTION  
SCALE 1/2"=1'-0"



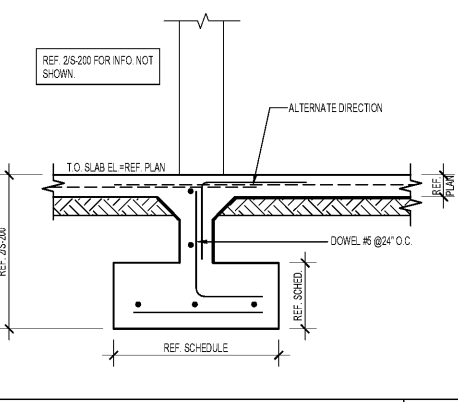
TRASH ENCLOSURE WALL  
SCALE 1/2"=1'-0"



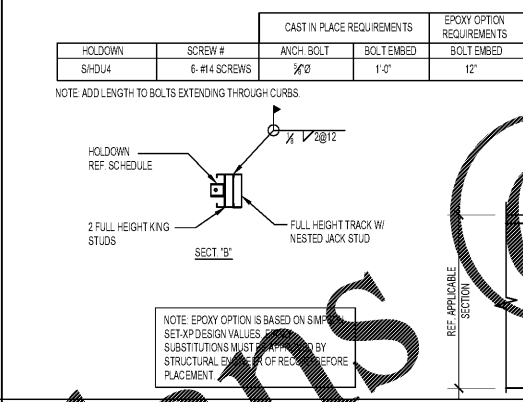
SECTION  
SCALE 1/2"=1'-0"



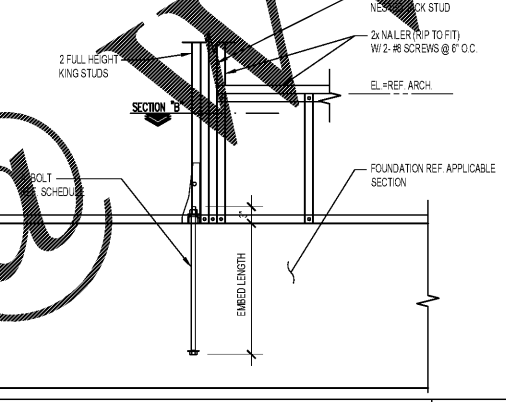
SECTION  
SCALE 1/2"=1'-0"



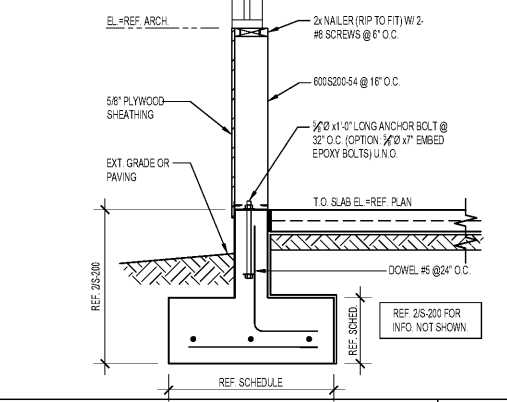
SECTION  
SCALE 1/2"=1'-0"



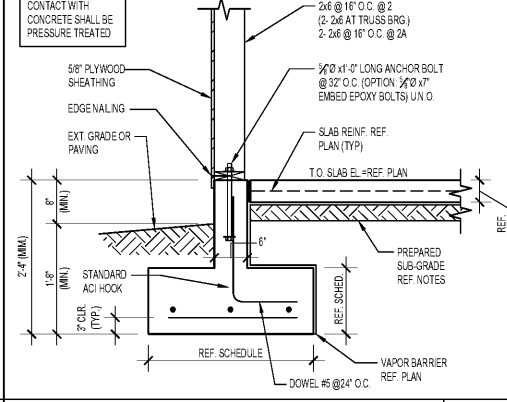
TYPICAL HOLDOWN DETAIL - LIGHT GAGE  
SCALE 1/2"=1'-0"



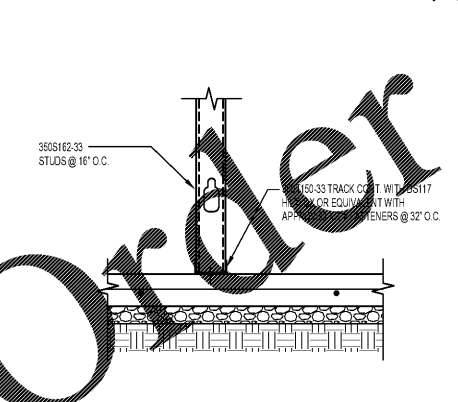
TYPICAL HOLDOWN DETAIL - WOOD  
SCALE 1/2"=1'-0"



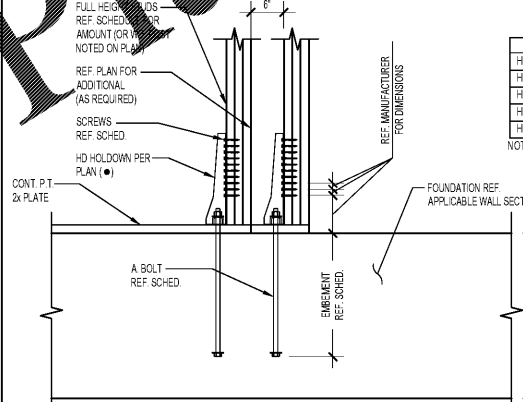
SECTION  
SCALE 1/2"=1'-0"



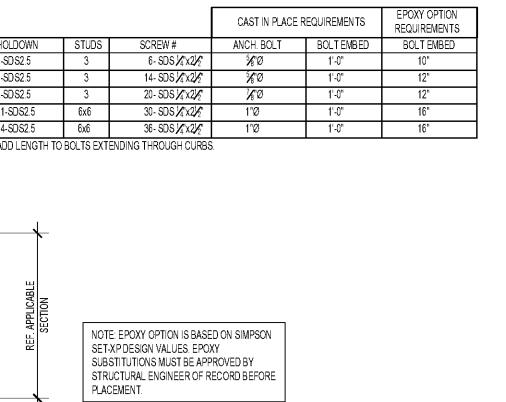
SECTION 2, 2A  
SCALE 1/2"=1'-0"



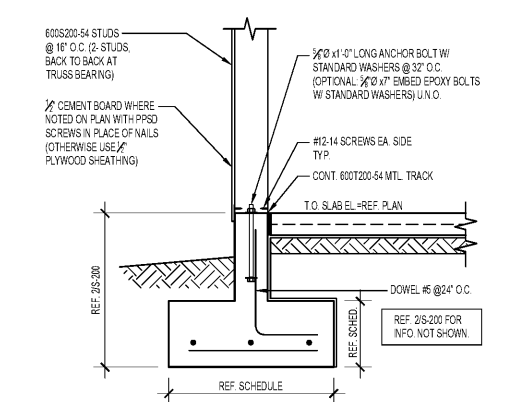
SLAB AT NON BEARING WALL  
SCALE N.T.S.



TYPICAL HOLDOWN DETAIL - WOOD  
SCALE N.T.S.



TYPICAL HOLDOWN DETAIL - WOOD  
SCALE N.T.S.



SECTION  
SCALE 1/2"=1'-0"



SECTION  
SCALE 1/2"=1'-0"



PANDA RESTAURANT GROUP INC.  
1683 Walnut Grove Ave.  
Rosemead, California  
91770  
Telephone: 626.799.9898  
Facsimile: 626.372.8288

All ideas, designs, arrangement and plans indicated or represented by this drawing are the property of Panda Express Inc. and were created for use on this specific project. None of these ideas, designs, arrangements or plans may be used by or disclosed to any person, firm or corporation without the written permission of Panda Express Inc.

REVISIONS:


ISSUE DATE:

1	ISSUED FOR BID & PERMIT	12-11-18
2	BID SET	01-30-19

DRAWN BY:  
PANDA PROJECT # S8-19-D6573  
ARCH PROJECT # P7336



PANDA EXPRESS  
WARM & WELCOME 2200  
ATLANTIC BLVD & MARKETPLACE DR  
JACKSONVILLE, FL 32225

S-200

FOUNDATION DETAILS  
TRUE WARM & WELCOME 2200

Order Plans

This item has been electronically signed and sealed by Angel Figueroa, P.E., on January 30, 2019, using a digital signature. Printed copies of this document are not considered signed and sealed and the signature must be verified on any electronic copies.