

TABLE 2304.10.1 FASTENING SCHEDULE (FBC 2017 6TH EDITION)

DESCRIPTION OF BUILDING ELEMENTS	NUMBER AND TYPE OF FASTENER	SPACING AND LOCATION		
1. BLOCKING BETWEEN CEILING JOIST, RAFTERS OR TRUSSES TO TOP PLATE OR OTHER FRAMING BELOW.	3-8d COMMON (2 1/2" X 131") OR 3-10d BOX (3" X 128") OR 3-3" X 131" NAILS OR 3-3" X 14 GAGE STAPLES, 7/16" CROWN	EACH END, TOENAIL	27. BUILT-UP GIRDERS AND BEAMS, 2" LUMBER LAYES	
BLOCKING BETWEEN RAFTERS OR TRUSS NOT AT WALL TOP PLATE, TO RAFTER OR TRUSS	2-8d COMMON (2 1/2" X 131") 2-3" X 131" NAILS 2-3" X 14 GAGE STAPLES	EACH END, TOENAIL	28. LEDGER SUPPORTING JOIST OF RAFTER	
FLAT BLOCKING TO TRUSS AND WEB FILLER	1-8d COMMON (3 1/2" X 162") @ 6" O.C. 3" X 131" NAILS @ 6" O.C. 3" X 14 GAGE STAPLES @ 6" O.C.	FACE NAIL	29. JOIST TO BAND JOIST OR RIM JOIST	
2. CEILING JOIST TO TOP PLATE	3-8d COMMON (2 1/2" X 131") OR 3-10d COMMON (3" X 128") OR 3-3" X 131" NAILS OR 3-3" X 14 GAGE STAPLES, 7/16" CROWN	EACH JOIST, TOENAIL	30. BRIDGING OR BLOCKING TO JOIST, RAFTER OR TRUSS	
3. CEILING JOIST NOT ATTACHED TO PARALLEL RAFTER, LAPS OVER PARTITIONS AND THURSTS (SEE SECTION 2308.7.3.1, TABLE 2308.7.3.1)	3-16d COMMON (3 1/2" X 131") OR 4-10d BOX (3" X 128") OR 3-3" X 131" NAILS OR 3-3" X 14 GAGE STAPLES, 7/16" CROWN	EACH JOIST, TOENAIL	WOOD STRUCTURAL PANELS (WSP), SUBFLOOR, ROOF AND INTERIOR WALL SHEATHING TO FRAMING AND PARTICLEBOARD WALL SHEATHING FRAMING*	
4. CEILING JOIST NOT ATTACHED TO PARALLEL RAFTER (HEEL JOINT) (SEE SECTION 2308.7.3.1, TABLE 2308.7.3.1)	PER TABLE 2308.7.3.1	FACE NAIL	EDGE (INCHES)	INTERMEDIATE SUPPORTS (INCHES)
5. COLLAR TIE TO RAFTER	3-10d COMMON (3 1/2" X 148") OR 4-10d BOX (3" X 128") OR 4-3" X 131" NAILS OR 4-3" X 14 GAGE STAPLES, 7/16" CROWN	FACE NAIL	6	12
6. RAFTER OR ROOF TRUSS TO TOP PLATE (SEE SECTION 2308.7.5, TABLE 2308.7.5)	3-10d COMMON (3 1/2" X 148") OR 3-16d BOX (3 1/2" X 155") OR 4-3" X 131" NAILS OR 4-3" X 14 GAGE STAPLES, 7/16" CROWN	TOENAIL	6	12
7. ROOF RAFTER TO RIDGE VALLEY OR HIP RAFTER, OR ROOF RAFTER TO 2-INCH RIDGE BEAM	2-10d COMMON (3 1/2" X 162") OR 3-10d BOX (3" X 128") OR 3-3" X 131" NAILS OR 3-3" X 14 GAGE STAPLES, 7/16" CROWN OR	END NAIL	4	8
	2-10d COMMON (2 1/2" X 148") OR 3-16d BOX (3 1/2" X 155") OR 4-10d BOX (3 1/2" X 128") OR 4-3" X 131" NAILS OR 4-3" X 14 GAGE STAPLES, 7/16" CROWN	TOENAIL	3	6
			6	12
8. STUD TO STUD (NOT AT BRACED WALL PANEL)	1-8d COMMON (3 1/2" X 162") OR 1-10d BOX (3" X 128") OR 3" X 131" NAILS OR 3-3" X 14 GAGE STAPLES, 7/16" CROWN	24" O.C. FACE NAIL	6	12
9. STUD TO STUD AND ABUTTING STUDS AT INTERSECTING WALL CORNER (AT BRACE PANELS)	1-8d COMMON (3 1/2" X 162") OR 1-10d COMMON (3 1/2" X 131") OR 3" X 131" NAILS OR 3-3" X 14 GAGE STAPLE, 7/16" CROWN	16" O.C. FACE NAIL	3	6
10. BUILT-UP HEADER (2" TO 2" HEADER)	1-8d COMMON (3 1/2" X 162") OR 1-10d BOX (3" X 128") OR	16" O.C. EDGE, FACE NAIL	3	6
11. CONTINUOUS HEADER TO STUD	4-8d COMMON (2 1/2" X 131") OR 4-10d BOX (3" X 128")	TOENAIL	3	6
12. TOP PLATE TO PLATE	1-8d COMMON (3 1/2" X 162") OR 1-10d BOX (3" X 128") OR 3" X 131" NAILS OR 3-3" X 14 GAGE STAPLE, 7/16" CROWN	16" O.C. FACE NAIL	3	6
13. TOP PLATE TO TOP PLATE, AT END JOINTS	8-16d COMMON (3 1/2" X 162") OR 12-10d BOX (3" X 128") OR 12-3" X 131" NAILS OR 3-3" X 14 GAGE STAPLE, 7/16" CROWN	EACH SIDE OF END JOINT, FACE NAIL (MINIMUM 24" LAP SPLICE LENGTH EACH SIDE OF END JOINT)	3	6
14. BOTTOM PLATE TO JOIST, RIM JOIST OR BLOCKING (NOT AT BRACE WALL PANELS)	8-16d COMMON (3 1/2" X 162") OR 12-10d BOX (3" X 128") OR 12-3" X 131" NAILS OR 3-3" X 14 GAGE STAPLE, 7/16" CROWN	12" O.C. FACE NAIL	6	12
15. BOTTOM PLATE TO JOIST, RIM JOIST OR BLOCKING AT BRACED WALL PANELS	2-16d COMMON (3 1/2" X 162") OR 3-16d BOX (3 1/2" X 155") OR 4-3" X 131" NAILS OR 4-3" X 14 GAGE STAPLE, 7/16" CROWN	12" O.C. FACE NAIL	6	12
16. STUD TO TOP OR BOTTOM PLATE	4-8d COMMON (2 1/2" X 131") OR 4-10d BOX (3" X 128") OR 4-3" X 131" NAILS OR 4-3" X 14 GAGE STAPLE, 7/16" CROWN OR	TOENAIL	6	12
	2-16d COMMON (3 1/2" X 162") OR 3-10d BOX (3" X 128") OR 3-3" X 131" NAILS OR 3-3" X 14 GAGE STAPLE, 7/16" CROWN	END NAIL	6	12
17. TOP OR BOTTOM PLATE TO STUD	2-16d COMMON (3 1/2" X 162") OR 3-10d BOX (3" X 128") OR 3-3" X 131" NAILS OR 3-3" X 14 GAGE STAPLE, 7/16" CROWN	FACE NAIL	6	12
18. TOP TO PLATES, LAPS AT CORNER AND INTERSECTIONS	2-8d COMMON (2 1/2" X 131") OR 2-10d BOX (3" X 128") OR 2-3" X 131" NAILS OR 2-3" X 14 GAGE STAPLE, 7/16" CROWN	FACE NAIL	6	12
19. 1" BRACE TO EACH STUD AND PLATE	2-8d COMMON (2 1/2" X 131") OR 2-10d BOX (3" X 128") OR 2-3" X 131" NAILS OR 2-3" X 14 GAGE STAPLE, 7/16" CROWN	FACE NAIL	6	12
20. 1" X 6" SHEATHING TO EACH BEARING	2-8d COMMON (2 1/2" X 131") OR 2-10d BOX (3" X 128")	FACE NAIL	6	12
21. 1" X 6" AND WIDER SHEATHING TO EACH BEARING	2-8d COMMON (2 1/2" X 131") OR 2-10d BOX (3" X 128")	FACE NAIL	6	12
22. JOIST TO SILL, TOP PLATE, OR GIRDER	3-8d COMMON (2 1/2" X 131") OR FLOOR 3-10d BOX (3" X 128") OR 3-3" X 131" NAILS OR 3-3" X 14 GAGE STAPLE, 7/16" CROWN	6" O.C., TOENAIL	6	12
23. RIM JOIST, BAND JOIST, OR BLOCKING TO TOP PLATE OR OTHER FRAMING BELOW	3-8d COMMON (2 1/2" X 131") OR FLOOR 3-10d BOX (3" X 128") OR 3-3" X 131" NAILS OR 3-3" X 14 GAGE STAPLE, 7/16" CROWN	6" O.C., TOENAIL	6	12
24. 1" X 6" SUBFLOOR TO GIRDER	2-8d COMMON (2 1/2" X 131") OR 2-10d BOX (3" X 128")	FACE NAIL	6	12
25. 2" SUBFLOOR TO JOIST OR GIRDER	2-16d COMMON (3 1/2" X 162")	FACE NAIL	6	12
26. 2" PLANKS (PLANKS & BEAM - FLOOR & ROOF)	2-16d COMMON (3 1/2" X 162")	EACH BEARING, FACE NAIL	6	12

ROOF PRESSURE

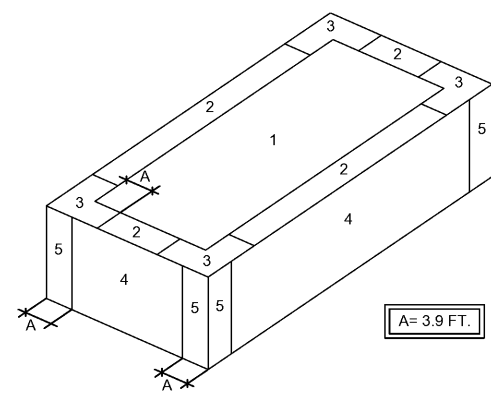
ZONE	EFFECTIVE WIND AREA	COEFFICIENT	ULTIMATE DWP		NOMINAL DWP	
			PNET (psf)	PNET (psf)	PNET (psf)	PNET (psf)
1	10	0.90	16.00	-37.86	9.60	-22.72
1	20	0.90	16.00	-37.86	9.60	-22.72
1	50	0.90	16.00	-36.26	9.60	-21.75
1	100	0.90	16.00	-34.65	9.60	-20.79
2	10	0.90	37.86	-63.53	22.72	-38.12
2	20	0.90	36.26	-57.11	21.75	-34.27
2	50	0.90	33.69	-47.49	20.21	-28.42
2	100	0.90	32.09	-41.07	19.25	-24.64
3	10	0.90	37.86	-63.53	22.72	-38.12
3	20	0.90	36.26	-57.11	21.75	-34.27
3	50	0.90	33.69	-47.49	20.21	-28.42
3	100	0.90	32.09	-41.07	19.25	-24.64

WALL PRESSURE

ZONE	EFFECTIVE WIND AREA	COEFFICIENT	ULTIMATE DWP		NOMINAL DWP	
			PNET (psf)	PNET (psf)	PNET (psf)	PNET (psf)
4	10	0.90	37.86	-41.07	22.72	-24.64
4	20	0.90	36.26	-39.47	21.75	-23.68
4	50	0.90	33.69	-37.22	20.21	-22.33
4	100	0.90	32.09	-35.30	19.25	-21.18
4	200	0.90	30.80	-34.01	18.48	-20.41
5	10	0.90	37.86	-50.70	22.72	-30.42
5	20	0.90	36.26	-47.49	21.75	-28.49
5	50	0.90	33.69	-42.67	20.21	-25.60
5	100	0.90	32.09	-39.47	19.25	-23.68
5	200	0.90	30.80	-36.26	18.48	-21.75

ROOF OVERHANG PRESSURE

ZONE	EFFECTIVE WIND AREA	COEFFICIENT	ULTIMATE DWP		NOMINAL DWP	
			PNET	PNET	PNET	PNET
1	10	0.90	-60.32		-36.19	
1	20	0.90	-59.68		-35.81	
1	50	0.90	-57.76		-34.65	
1	100	0.90	-57.11		-34.27	
2	10	0.90	-60.32		-36.19	
2	20	0.90	-59.68		-35.81	
2	50	0.90	-57.76		-34.65	
2	100	0.90	-57.11		-34.27	
3	10	0.90	-95.62		-57.37	
3	20	0.90	-76.37		-45.82	
3	50	0.90	-50.70		-30.42	
3	100	0.90	-31.44		-18.87	



PANDA RESTAURANT GROUP INC.
1683 Walnut Grove Ave.
Rosemead, California
91770
Telephone: 626.799.9698
Facsimile: 626.372.8288

All ideas, designs, arrangement and plans indicated or represented by this drawing are the property of Panda Express Inc. and were created for use on this specific project. None of these ideas, designs, arrangements or plans may be used by or disclosed to any person, firm, or corporation without the written permission of Panda Express Inc.

REVISIONS:

NO.	DESCRIPTION	DATE
1	ISSUED FOR BID & PERMIT	12-11-18
2	BID SET	01-30-19

ISSUE DATE:
1 ISSUED FOR BID & PERMIT 12-11-18
2 BID SET 01-30-19

DRAWN BY:
PANDA PROJECT # S8-19-D6573
ARCH PROJECT # P7336



PANDA EXPRESS
WARM & WELCOME 2200
ATLANTIC BLVD & MARKETPLACE DR
JACKSONVILLE, FL 32225

S-001

WIND TABLES AND FASTENING SCHEDULE

TRUE WARM & WELCOME 2200

This item has been electronically signed and sealed by Angel Figueroa, P.E., on January 30, 2019, using a digital signature. Printed copies of this document are not considered signed and sealed and the signature must be verified on any electronic copies.