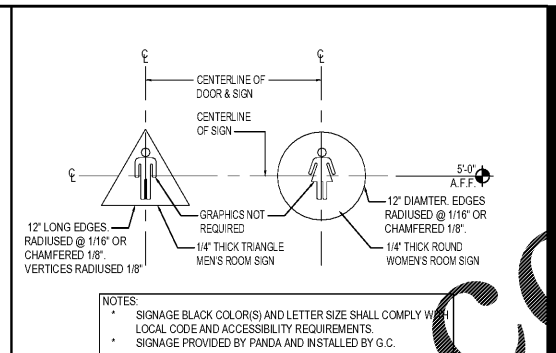


STANDARD ACCESSIBLE MOUNTING HEIGHTS AND CLEARANCES

4

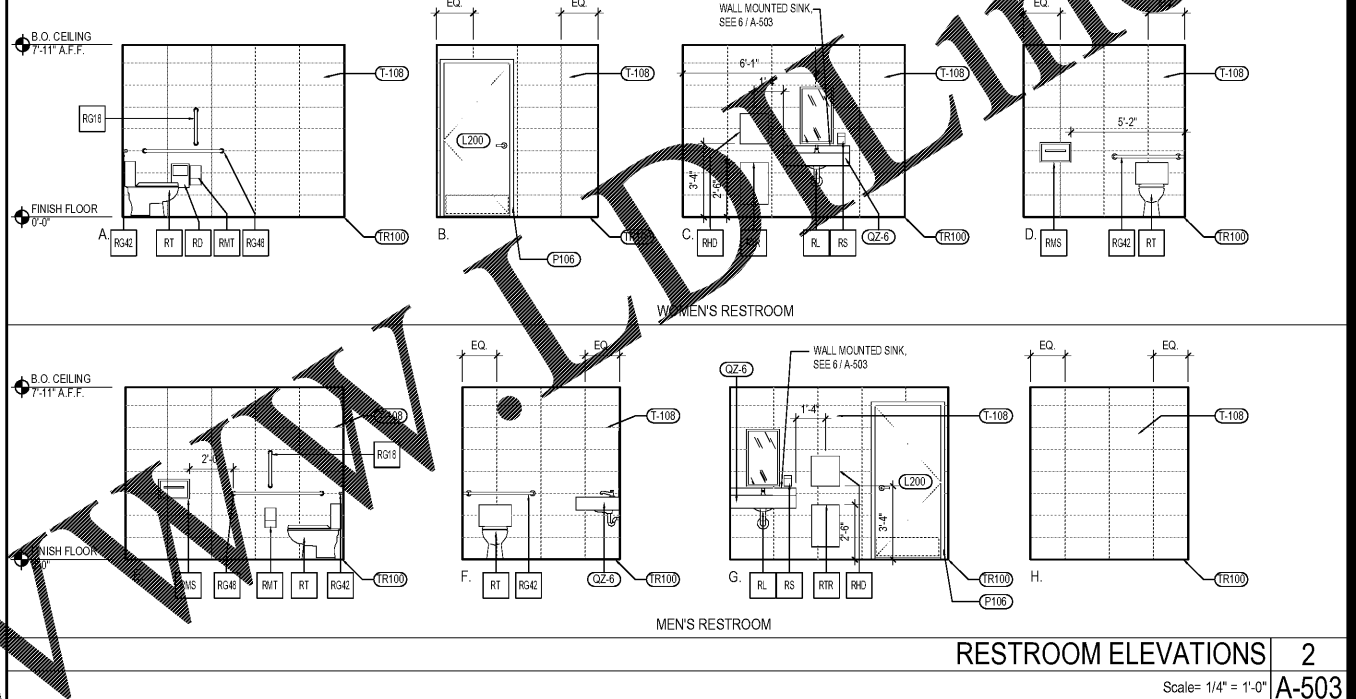
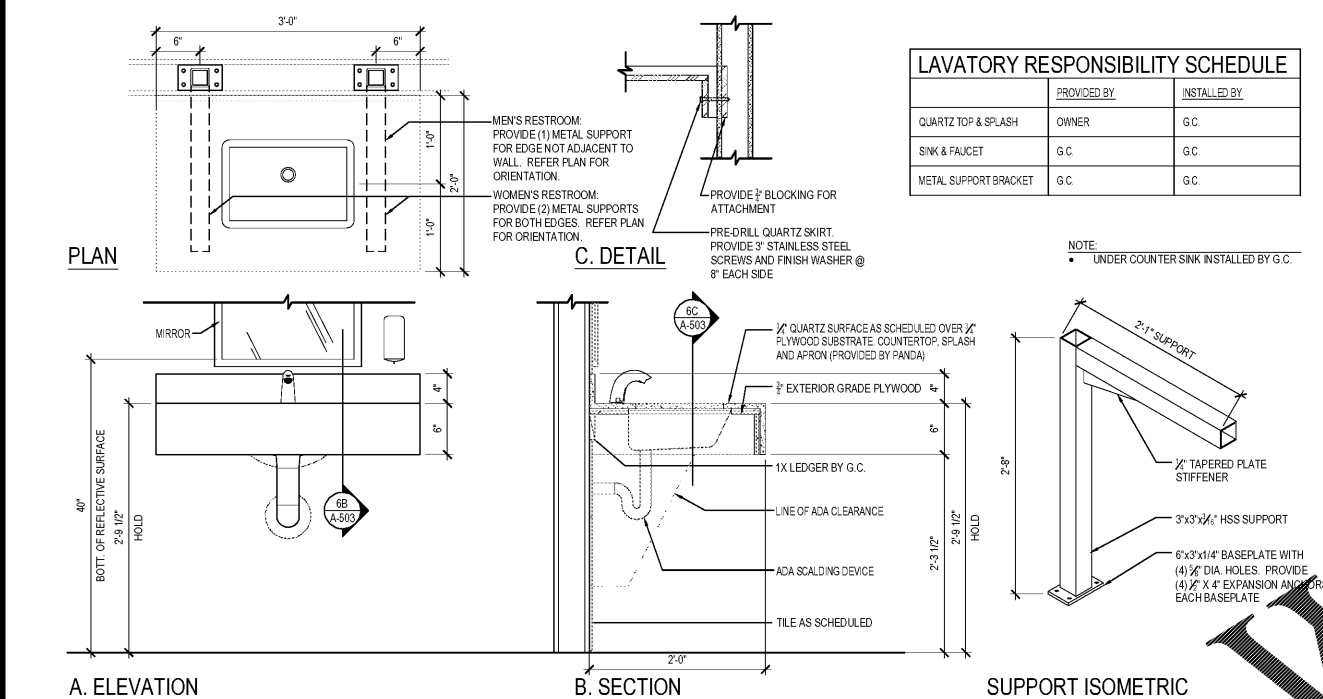


RESTROOM DOOR SIGNS

3

Scale= NTS A-503

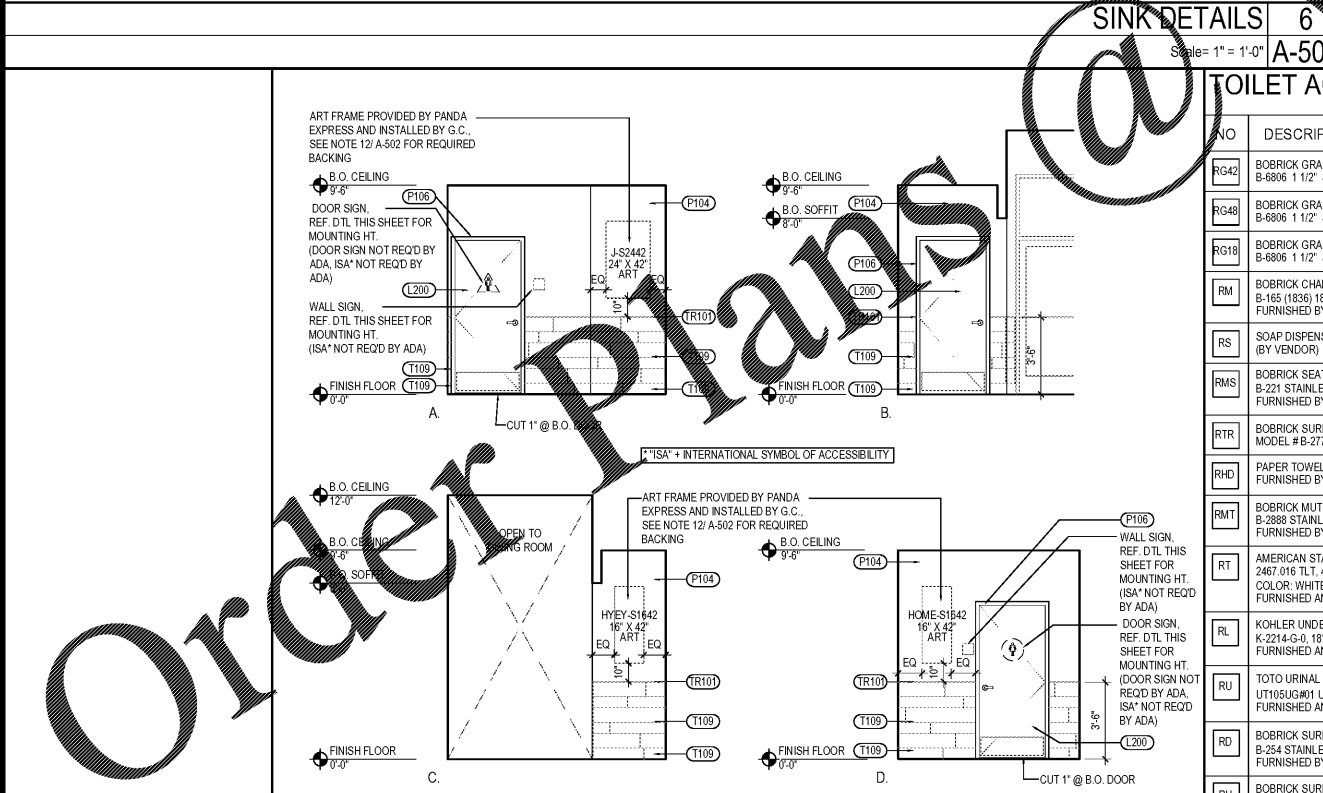
Scale= 1" = 1'-0" A-503



RESTROOM ELEVATIONS

2

Scale= 1/4" = 1'-0" A-503



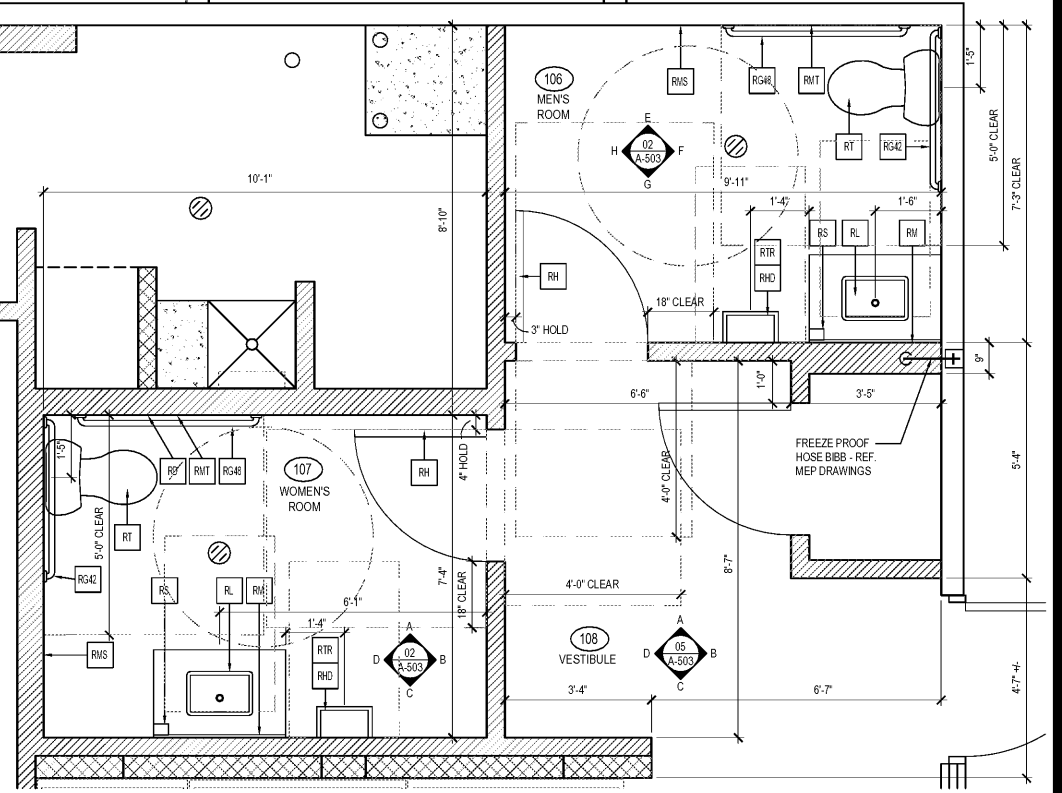
RESTROOM VESTIBULE ELEVATIONS

5

Scale= 1/4" = 1'-0" A-503

TOILET ACCESSORY SCHEDULE

NO	DESCRIPTION
RG42	BOBRICK GRAB BAR, 42" LONG B-6806 1 1/2" SATIN FINISH, FURNISHED BY LOCKNET, INSTALLED BY G.C.
RG48	BOBRICK GRAB BAR, 48" LONG B-6806 1 1/2" SATIN FINISH, FURNISHED BY LOCKNET, INSTALLED BY G.C.
RG18	BOBRICK GRAB BAR, 18" LONG B-6806 1 1/2" SATIN FINISH, FURNISHED BY LOCKNET, INSTALLED BY G.C.
RM	BOBRICK CHANNEL FRAME MIRROR B-165 (1836) 18"X36" STAINLESS STEEL CHANNEL FRAME FURNISHED BY LOCKNET, INSTALLED BY G.C.
RS	SOAP DISPENSER (BY VENDOR)
RMS	BOBRICK SEAT COVER DISPENSER B-221 STAINLESS STEEL, SATIN FINISH FURNISHED BY LOCKNET, INSTALLED BY G.C.
RTR	BOBRICK SURFACE MOUNTED TRASH RECEPTACLE MODEL # B-277, FURNISHED BY LOCKNET, INSTALLED BY G.C.
RWD	PAPER TOWEL DISPENSER FURNISHED BY PANDA EXPRESS, INSTALLED BY G.C.
RMT	BOBRICK MULTI-ROLL TOILET TISSUE DISPENSER B-288 STAINLESS STEEL, SATIN FINISH FURNISHED BY LOCKNET, INSTALLED BY G.C.
RT	AMERICAN STANDARD CADET RIGHT HEIGHT ELONGATED TOILET 2467 016 TLT, 4142 600 TANK, AMERICAN STANDARD #5321 110 SEAT, COLOR: WHITE, TRIP TO BE ON OPEN SIDE, FURNISHED AND INSTALLED BY G.C.
RL	KOHLER UNDER MOUNTED LAVATORY K-2214-G-0, 18" X 12" VITREOUS CHINA, WITH 4" CENTER FAUCET HOLES FURNISHED AND INSTALLED BY G.C.
RU	TOTO URINAL UT105UGM1 URINAL, TEU1UN12WCP ECO POWER GPF SENSOR FLUSH VLV FURNISHED AND INSTALLED BY G.C.
RD	BOBRICK SURFACE-MOUNTED SANITARY NAPKIN DISPOSAL B-254 STAINLESS STEEL, SATIN FINISH FURNISHED BY LOCKNET, INSTALLED BY G.C.
RH	BOBRICK SURFACE-MOUNTED CLOTHES HOOK AND BUMPER B-212 SOLID ALUMINUM CASTING, MATTE FINISH, INSIDE OF RESTROOM DOORS FURNISHED BY LOCKNET, INSTALLED BY G.C.



ENLARGED RESTROOM PLANS

1

Scale= 1/2" = 1'-0" A-503

Order Plans

NOT USED 7

Scale= 1" = 1'-0" A-503



PANDA RESTAURANT GROUP INC.  
1683 Walnut Grove Ave.  
Rosemead, California  
91770  
Telephone: 626.799.9898  
Facsimile: 626.372.8288

All ideas, designs, arrangement and plans indicated or represented by this drawing are the property of Panda Express Inc. and were created for use on this specific project. None of these ideas, designs, arrangements or plans may be used by or disclosed to any person, firm or corporation without the written permission of Panda Express Inc.

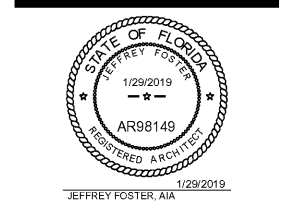
REVISIONS:

NO.	DESCRIPTION

ISSUE DATE:

NO.	ISSUE DATE
1	ISSUED FOR BID & PERMIT 12-11-18
2	BID SET 01-30-19

DRAWN BY: JO  
PANDA PROJECT # S8-19-D6573  
ARCH PROJECT # P7336



PANDA EXPRESS  
WARM & WELCOME 2200  
ATLANTIC BLVD & MARKETPLACE DR  
JACKSONVILLE, FL 32225

A-503

ENLARGED RESTROOM PLANS AND ELEVATIONS

TRUE WARM & WELCOME 2200

This item has been electronically signed and sealed by Jeffrey Foster, A.I.A. on January 29, 2019 using a digital signature. Printed copies of this document are not considered signed and sealed and the signature must be verified on any electronic copies.