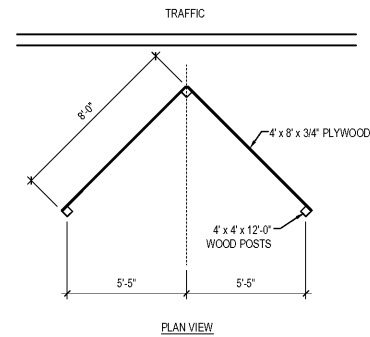


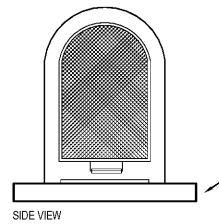
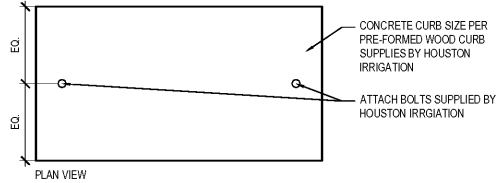
NOTE: GC TO COORDINATE PLACEMENT ON-SITE WITH PANDA PROJECT MANAGER



"COMING SOON" SIGN DETAIL 16

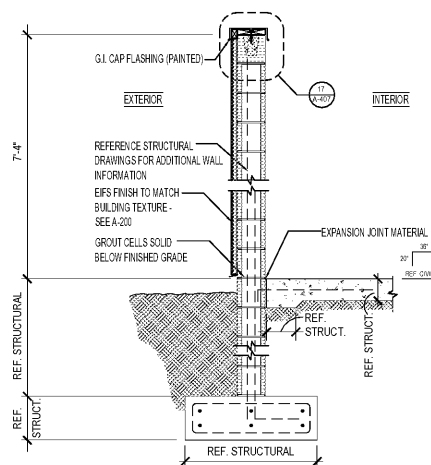
Scale= 1/4" = 1'-0" A-407

PROVIDE & INSTALL CAGE AND COVER FOR THE BACK-FLOW PREVENTER AT 4" CONCRETE CURB IN LANDSCAPE AREA: GORILLA CAGE, MANUFACTURED BY HOUSTON IRRIGATION SERVICES SPRING, TEXAS (281-705-9701). PROVIDE INSULATED COVER: 'AQUA SHIELD' MODEL #BFPI-S FOR COLDER REGIONS OF US. COORDINATE WITH PANDA FM.



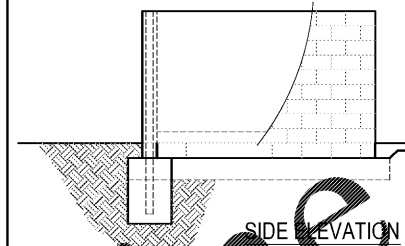
BACKFLOW PROTECTION CAGE 11

Scale= NTS A-407



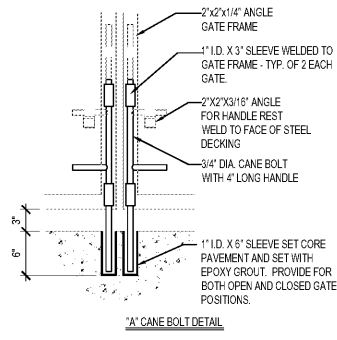
TRASH ENCLOSURE WALL SECTION 8

Scale= 1/2" = 1'-0" A-407

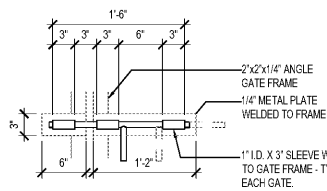


SIDE ELEVATION 4

Scale= 1/4" = 1'-0" A-407



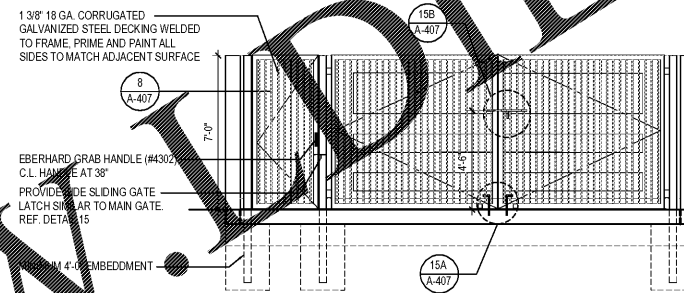
"A" CANE BOLT DETAIL



"B" GATE LATCH DETAIL

DUMPSTER GATE LATCH DETAILS 15

Scale= NTS A-407



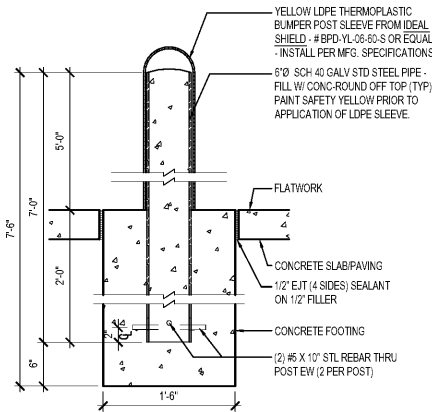
FRONT ELEVATION 2

NOTE: CONTRACTOR TO SUPPLY & INSTALL ALL HINGES, GATE LATCHES, CANE BOLTS, ETC. AS INDICATED.

NOTE: ANY DIAGONAL SUPPORT FOR GATES SHALL BE INSTALLED ON THE INSIDE OF ENCLOSURE. THIS SHALL NOT BE VISIBLE ON THE OUTSIDE OF THE GATE.

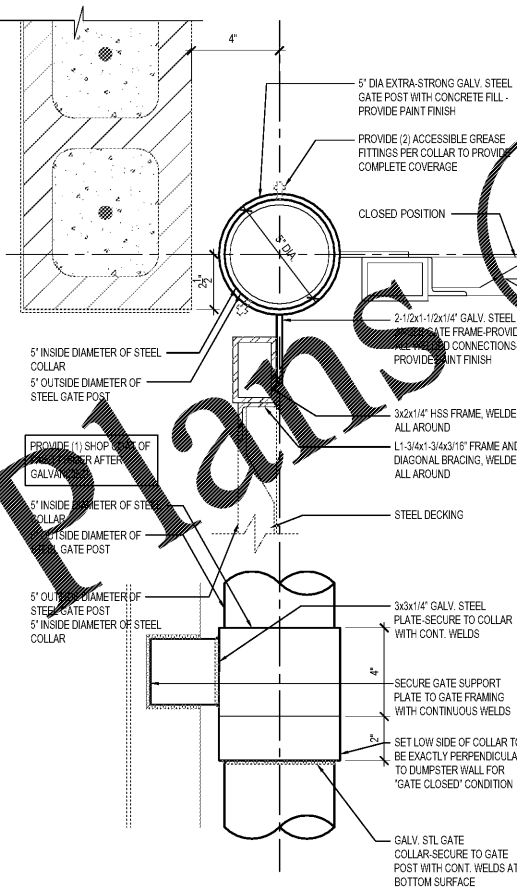
FRONT ELEVATION 2

Scale= 1/4" = 1'-0" A-407



BOLLARD / POST BASE 18

Scale= 1" = 1'-0" A-407

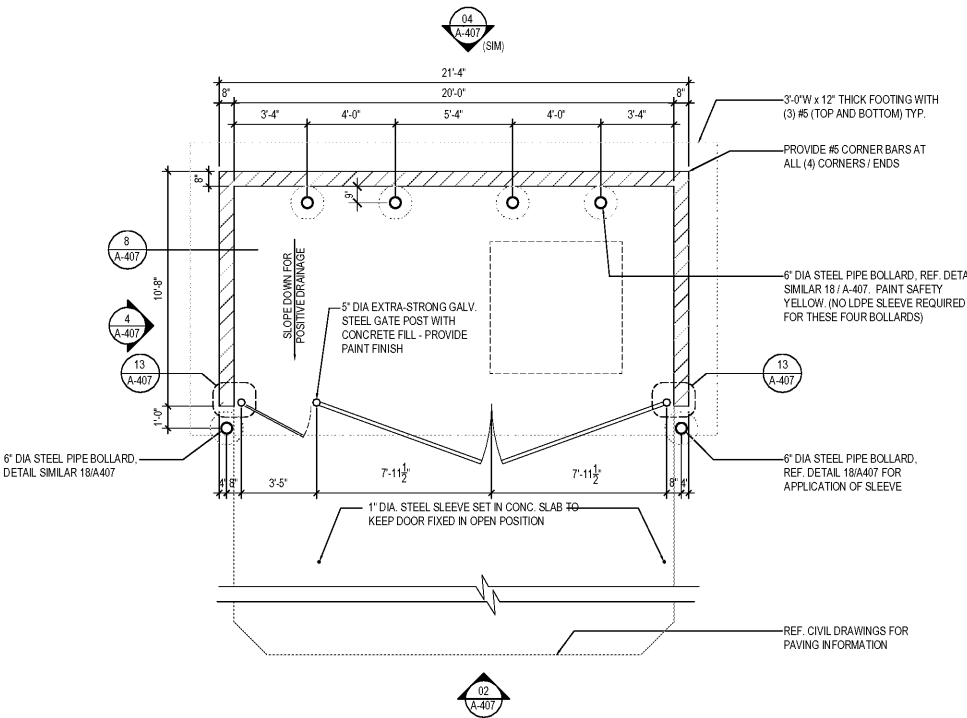


HINGE DETAIL 13

Scale= 3" = 1'-0" A-407

NOT USED 10

Scale= A-407



TRASH ENCLOSURE 1

Scale= 1/4" = 1'-0" A-407



PANDA RESTAURANT GROUP INC.
1683 Walnut Grove Ave.
Rosemead, California
91770
Telephone: 626.799.9898
Facsimile: 626.372.8288

All ideas, designs, arrangement and plans indicated or represented by this drawing are the property of Panda Express Inc. and were created for use on this specific project. None of these ideas, designs, arrangements or plans may be used by or disclosed to any person, firm, or corporation without the written permission of Panda Express Inc.

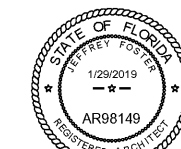
REVISIONS:

ISSUE DATE:

1 ISSUED FOR BID & PERMIT 12-11-18
2 BID SET 01-30-19

DRAWN BY: JO

PANDA PROJECT # S8-19-D6573
ARCH PROJECT # P7336



JEFFREY FOSTER, AIA

PANDA EXPRESS

WARM & WELCOME 2200
ATLANTIC BLVD & MARKETPLACE DR
JACKSONVILLE, FL 32225

A-407

TRASH ENCLOSURE
DETAILS

TRUE WARM & WELCOME 2200

This item has been electronically signed and sealed by Jeffrey Foster, A.I.A. on January 29, 2019 using a digital signature. Printed copies of this document are not considered signed and sealed and the signature must be verified on any electronic copies.