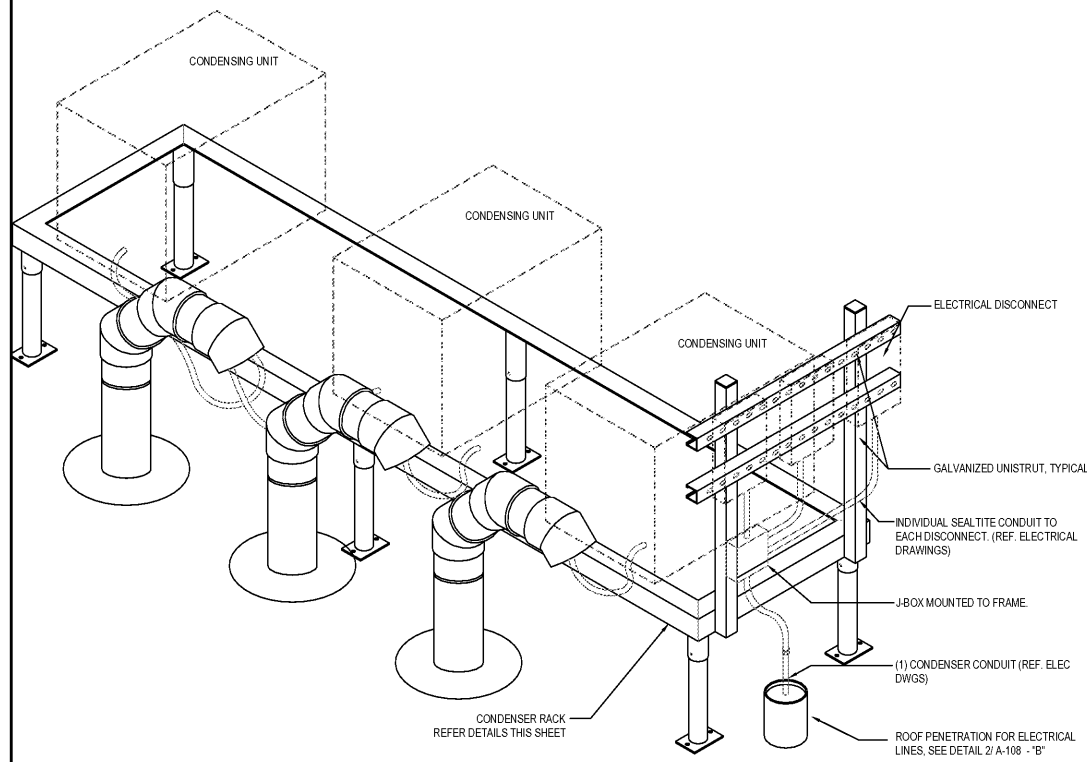
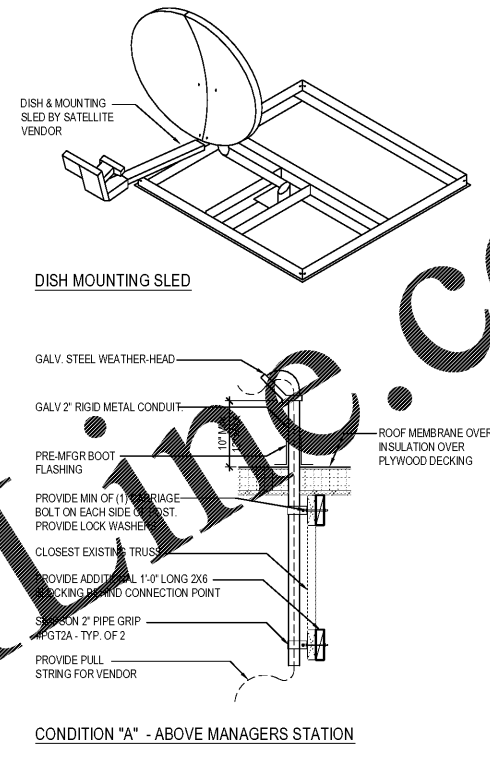
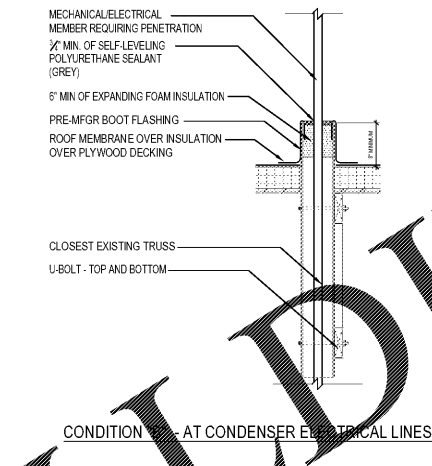


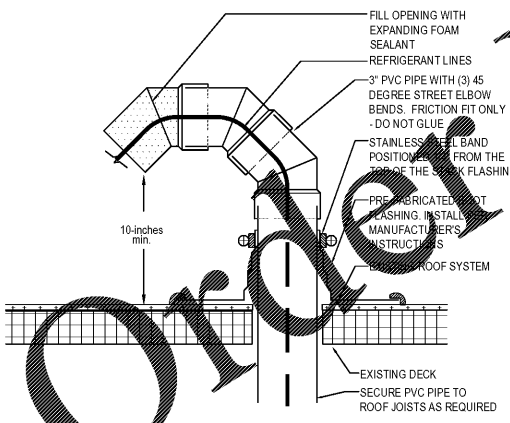
ROOF EXHAUST FAN 5
Scale= 1/4" = 1'-0" A-108



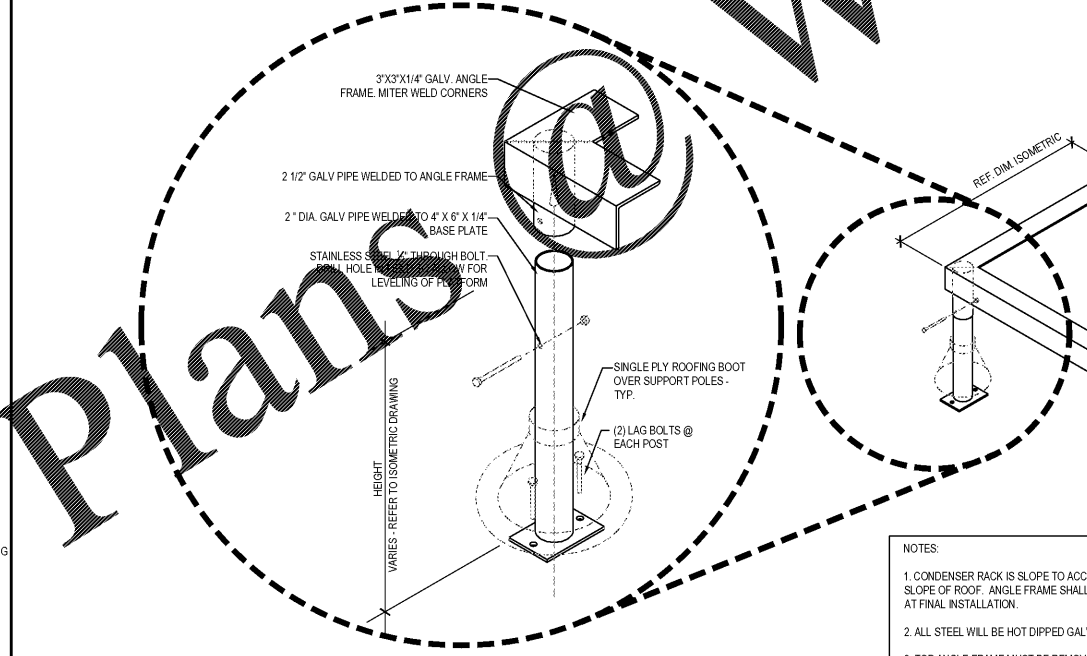
CONDENSER RACK ISOMETRIC 3
Scale= 3/4" = 1'-0" A-108



ROOF PENETRATION DETAIL AT REF. / ELEC. LINES AND SATELLITE DISH 2
Scale= 3/4" = 1'-0" A-108



PVC ROOF PENETRATION 4
Scale= 1/2" = 1'-0" A-108



- NOTES:
- CONDENSER RACK IS SLOPE TO ACCOMMODATE SLOPE OF ROOF. ANGLE FRAME SHALL BE LEVEL AT FINAL INSTALLATION.
 - ALL STEEL WILL BE HOT DIPPED GALVANIZED.
 - TOP ANGLE FRAME MUST BE REMOVABLE TO INSTALL PRE-FABRICATED BOOT FLASHING.
 - ALL CONNECTING HARDWARE (CARRIAGE BOLTS, LAG BOLTS, NUTS, WASHERS, ETC) SHALL BE STAINLESS STEEL.
 - CONTRACTOR TO SUPPLY AND INSTALL ATTACHMENTS/HARDWARE REQUIRED TO MOUNT CONDENSER EQUIPMENT TO FRAME.
 - UNISTRUT SHALL BE GALVANIZED

FREEZER / COOLER / ICE MAKER CONDENSER RACK DETAILS 1
Scale= 3/4" = 1'-0" A-108



PANDA RESTAURANT GROUP INC.
1683 Walnut Grove Ave.
Rosemead, California 91770
Telephone: 626.799.9898
Facsimile: 626.372.8288

All ideas, designs, arrangement and plans indicated or represented by this drawing are the property of Panda Express Inc. and were created for use on this specific project. None of these ideas, designs, arrangements or plans may be used by or disclosed to any person, firm, or corporation without the written permission of Panda Express Inc.

REVISIONS:

ISSUE DATE:

1	ISSUED FOR BID & PERMIT	12-11-18
2	BID SET	01-30-19

DRAWN BY: JO

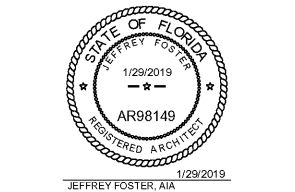
PANDA PROJECT # S8-19-D6573

ARCH PROJECT # P7336

cph Plans Prepared By
CPI, Inc.
500 West Fulton St.
Sanford, FL 32771
Ph: 407-322-8841

www.cphcorp.com Licenses:
Eng. C.O.A. No. 2750-E
Survey L.B. No. CA-609-LS
Arch. Lic. No. 285-342

A Full Service A & E Firm



PANDA EXPRESS
WARM & WELCOME 2200
ATLANTIC BLVD & MARKET PLACE DR
JACKSONVILLE, FL 32225

A-108

CONDENSER RACK
DETAIL

This item has been electronically signed and sealed by Jeffrey Foster, A.I.A. on January 29, 2019 using a digital signature. Printed copies of this document are not considered signed and sealed and the signature must be verified on any electronic copies.