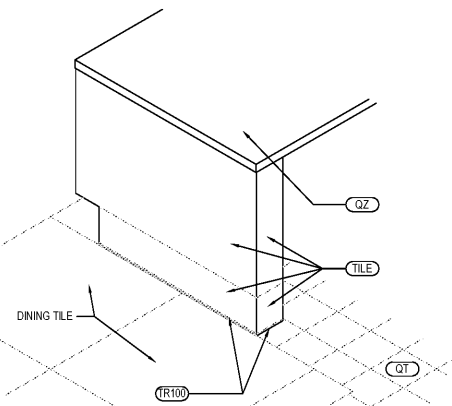


OUTSIDE CORNER DETAIL 3

Scale= 3" = 1'-0" A-104



SERVICE COUNTER ISOMETRIC 2

Scale= 3/4" = 1'-0" A-104

TILE SCHEDULE							1003-15
NO.	MANUFACTURER	DESCRIPTION	COLOR	FINISH	JOINT	GROUT	REMARK
T-108	CMC AGGREGATE DOUG SALATNO 518-713-5371	12" X 24" X 3/8"	-	-	1/8"	G-111	RESTROOM WALL
T-109	CMC ITALIAN WOOD DOUG SALATNO 518-713-5371	6" X 48" X 3/8" & 8" X 48" X 3/8"	ITALIANO	-	1/8"	G-113	RR VESTIBULE & DINING ROOM WALLS
T-200	PANTHEON CRYSTAL BANKS 972-360-9752	24" X 24"	150-4004	MATTE	1/8"	G-96	DINING & RESTROOM FLOOR
QT	CMC OBIDOS SMOOTH QUARRY 800-207-2967 EXT. 7263	8" X 8" QUARRY	RICE GRAIN	PLAIN	3/16"	G-94	KITCHEN, SERVICE FLOOR
QT1	CMC OBIDOS ABRASIVE QUARRY 800-207-2967 EXT. 7263	8" X 8" QUARRY	RICE GRAIN	ABRASIVE	3/16"	G-94	KITCHEN, SERVICE FLOOR
QT2	CMC OBIDOS COVE BASE 800-207-2967 EXT. 7263	6" X 12" COVE BASE 1" X 6" CORNER	RICE GRAIN	PLAIN	3/16"	G-94	KITCHEN, SERVICE FLOOR
GROUT							
NO.	MANUFACTURER	DESCRIPTION	MFG.	COLOR	FINISH	GROUT	REMARK
G-94	MAPEI 800.42.MAPEI WWW.MAPEI.COM	LATEX MODIFIED GROUT	09	GREY	SANDED		KITCHEN AND SERVICE AREA FLOOR: 100% SOLIDS INDUSTRIAL GRADE EPOXY GROUT SEE PLAN CONTACT MIKE GRANATOWSKI 949.212.2363 (mgranatowski@mapl.com)
G-96	PANTHEON COMPLETE INSTALLATION SYSTEM	UTRAFLEX LFT MORTAR ULTRACOLORPLUS GROUT SPACERS, TROWELS	11	SAHARA BEIGE	POLY BLEND 1/8" NON-SANDED		DINING & RESTROOM FLOOR CONTACT: CRYSTAL BANKS 972.360.9752
G-111	MAPEI 800.42.MAPEI WWW.MAPEI.COM	LATEX MODIFIED GROUT	19	PEARL GREY	POLY BLEND 1/8" NON-SANDED		RESTROOM, DINING APPLY GROUT SEALER
G-113	MAPEI 800.42.MAPEI WWW.MAPEI.COM	LATEX MODIFIED GROUT	07	CHOCOLATE	POLY BLEND 1/8" NON-SANDED		APPLY GROUT SEALER

* REFER A-200 EXTERIOR FINISH SCHEDULE FOR EXTERIOR DECORATIVE TILE

* SCHLUTER SYSTEM ALUMINUM TRIM:

COVE TILE TRIM: INSTALLED AT RESTROOM, SERVICE COUNTER, AND DRINK STATION

SCHLUTER SYSTEMS DILEX-AHK 1S 125 ATGB (BRUSHED NICKEL ANODIZED ALUMINUM)

TR100 - OUTSIDE CORNER CONNECTOR PIECE: DILEX-AHK-E90/AHK 1S 125 ATGB (BRUSHED NICKEL ANODIZED ALUMINUM)

INSIDE CORNER CONNECTOR PIECE: DILEX-AHK-I90/AHK 1S 125 ATGB (BRUSHED NICKEL ANODIZED ALUMINUM)

END CAP PIECE: DILEX-AHK-E/AHK 1S 125 ATGB (BRUSHED NICKEL ANODIZED ALUMINUM)

EDGE TILE TRIM:

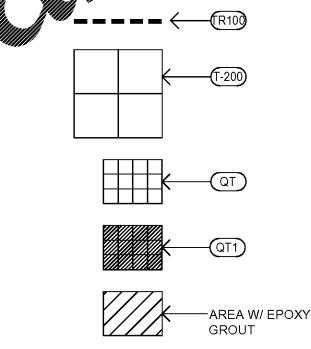
SCHLUTER SYSTEMS RONDEC-RO125 ATGB (BRUSHED NICKEL ANODIZED ALUMINUM)

TR101 - OUTSIDE CORNER CONNECTOR PIECE: RONDEC-EV/RO125 ATGB (BRUSHED NICKEL ANODIZED ALUMINUM)

INSIDE CORNER CONNECTOR PIECE: RONDEC-IL/RO125 ATGB (BRUSHED NICKEL ANODIZED ALUMINUM)

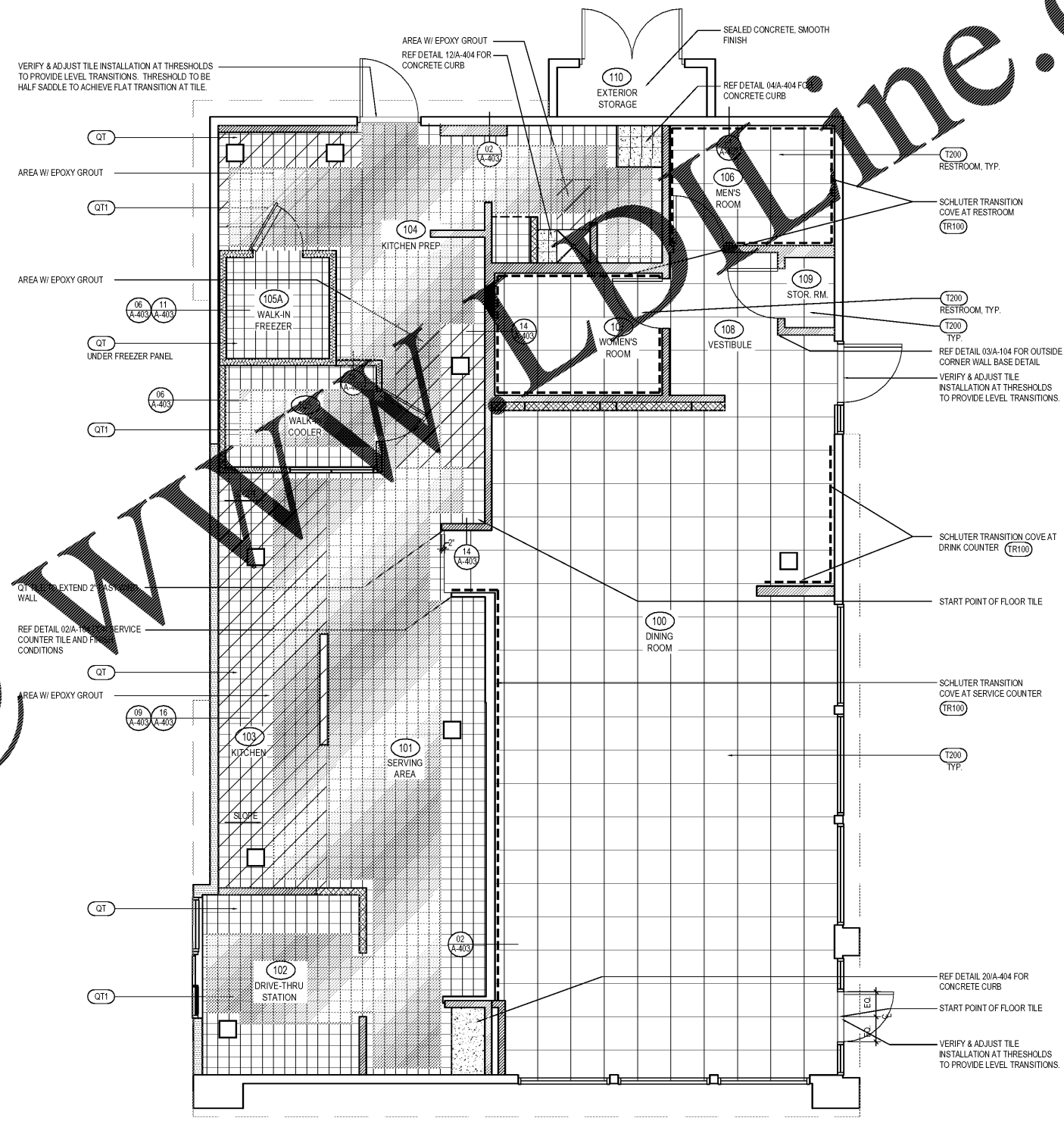
* EPOXY GROUT BY MAPEI, KERAPOXY IEG, 100% SOLIDS INDUSTRIAL GRADE AREAS UNDER HOOD AND 36" IN FRONT OF COOKING LINE, 3 COMPARTMENT SINK AND WASH AREA SEE MANUFACTURER'S SPECIFICATION, DETAILS AND GUIDE FOR PREPARATION, MIXING, GROUTING AND CLEANING INSTRUCTION

NOTE: SEE INTERIOR SHEETS FOR WALL BASE TILE INSTALLATION AND SPECIFICATIONS



FINISH SCHEDULE A

Scale= NTS A-104



FINISH PLAN 1

Scale= 1/4" = 1'-0" A-104



PANDA RESTAURANT GROUP INC.
1683 Walnut Grove Ave.
Rosemead, California 91770
Telephone: 626.799.9898
Facsimile: 626.372.8288

All ideas, designs, arrangement and plans indicated or represented by this drawing are the property of Panda Express Inc. and were created for use on this specific project. None of these ideas, designs, arrangements or plans may be used by or disclosed to any person, firm, or corporation without the written permission of Panda Express Inc.

REVISIONS:

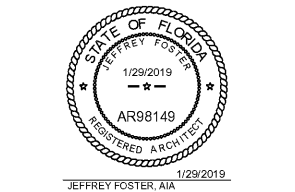
ISSUE DATE:

1	ISSUED FOR BID & PERMIT	12-11-18
2	BID SET	01-30-19

DRAWN BY: JO

PANDA PROJECT # S8-19-D6573

ARCH PROJECT # P7336



PANDA EXPRESS

WARM & WELCOME 2200
ATLANTIC BLVD & MARKETPLACE DR
JACKSONVILLE, FL 32225

A-104

FINISH PLAN AND SCHEDULE

TRUE WARM & WELCOME 2200

Order Plans @

This item has been electronically signed and sealed by Jeffrey Foster, A.I.A. on January 29, 2019 using a digital signature. Printed copies of this document are not considered signed and sealed and the signature must be verified on any electronic copies.