



PANDA RESTAURANT GROUP INC.
1683 Walnut Grove Ave.
Rosemead, California
91770
Telephone: 626.799.9898
Facsimile: 626.372.8288

All ideas, designs, arrangement and plans indicated or represented by this drawing are the property of Panda Express Inc. and were created for use on this specific project. None of these ideas, designs, arrangements or plans may be used by or disclosed to any person, firm, or corporation without the written permission of Panda Express Inc.

REVISIONS:

ISSUE DATE:

01/30/19	ISSUED FOR BID

DRAWN BY: B. Silcox

PANDA PROJECT # S8-19-D6573
ARCH PROJECT # P7336.1

gph
www.gphcorp.com
A Full Service A & E Firm

Plans Prepared By:
GPH, Inc.
5200 Belfort Road, Suite 220
Jacksonville, FL 32256
Ph: 904.332.0959

Licenses:
Eng. C.O.A. No. 3215
Survey L.B. No. 7143
Arch. Lic. No. AA2600928
Landscape Lic. No. LC0000298

DANITA R. BRYANT, R.L.A.
LA6667318
Jan 29, 2019

PANDA EXPRESS
TRUE WARM & WELCOME 2200
ATLANTIC & KERNAN
CITY OF JACKSONVILLE, FLORIDA

IR2.2

IRRIGATION NOTES
AND DETAILS

TRUE WARM & WELCOME 2200

INSTALL TORO DL2000 TUBING WITH ALL FITTINGS AS NECESSARY FOR ALL DRIP TUBING (GROUND COVER AND SHRUB) APPLICATIONS.

INSTALL A LINE OF TUBING 2" TO 4" FROM HARDSCAPE AND BEDLINES.

INSTALL A MINIMUM OF 2 ROWS OF TUBING IN ANY AREA.

INSTALL TUBING ROWS ON 12" SPACING MAXIMUM.

INSTALL TUBING AT FINISHED GRADE UNDER THE MULCH.

LOOP ALL RUNS OF TUBING WITH A MAXIMUM LOOP DISTANCE FROM THE SUPPLY MANIFOLD OF 300'.

INSTALL ONE TORO T-ALFD15150-L 1.5" FILTER WITH A STAINLESS STEEL 150 MESH (104 MICRONS) SCREEN FOR EACH VALVE.

INSTALL A TORO #T-FCH-H-FIPT FLUSHING VALVE AT EACH OF THE AIR/VACUUM RELIEF VALVE LOCATIONS WITH ALL FITTINGS AS NECESSARY TO FLUSH THE SYSTEM INTO THE LANDSCAPE, WHEN NECESSARY.

INSTALL A TORO #T-YD-500-34 VACUUM/AIR RELIEF VALVE AT THE OPPOSITE ENDS OF THE LOOPED NETWORK AND AT THE TERMINATION OF THE SUPPLY MANIFOLD FROM THE AUTOMATIC VALVE. INSTALL A MANUAL LINE FLUSHING VALVE AT EACH LOCATION.

INSTALL A RAIN BIRD "OPERIND" AT EACH VACUUM/AIR RELIEF VALVE LOCATION.

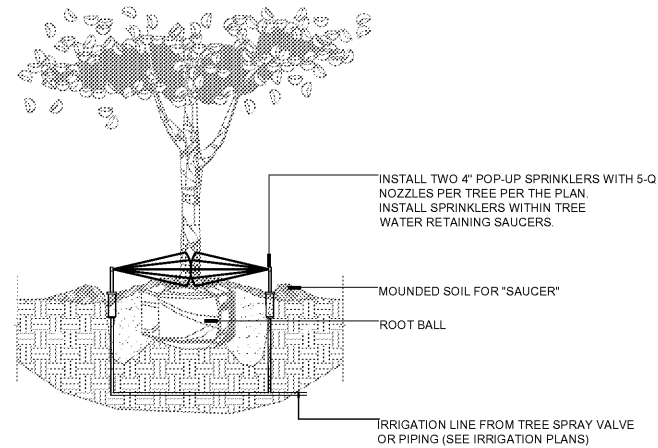
DRIP TUBING QUANTITIES ON PLANS ARE APPROXIMATE. CONTRACTOR TO VERIFY EXACT QUANTITIES. CONTRACTOR TO BE PAID FOR ACTUAL QUANTITY OF DRIP TUBING AND BLANK TUBING INSTALLED UP TO A MAXIMUM AS SHOWN ON THE PLANS.

QUANTITIES ON PLANS DO NOT INCLUDE BLANK TUBING, LINE FLUSHING VALVES, AIR RELIEF VALVES OR PVC HEADERS. INCLUDE THESE ITEMS AND ANY OTHER ITEMS NECESSARY FOR A FULLY FUNCTIONING AUTOMATIC SYSTEM IN BID AND INSTALLATION.

INSTALL LANDSCAPE STAPLES @ 6" O.C. AND ANYWHERE ELSE NECESSARY TO SECURE TUBING TO THE GROUND.

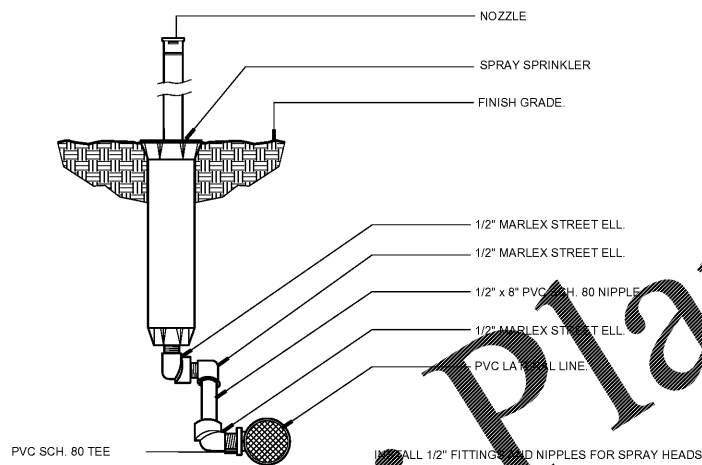
FOLLOW THE MANUFACTURER'S INSTALLATION GUIDELINES INCLUDED WITH THE PRODUCTS.

DO NOT CURVE TUBING TO LOOP AT THE ENDS OF RUNS. INSTEAD USE (2) 90 DEG. FITTINGS AND A SHORT PIECE OF TUBING.



1 TREE SPRAY LOCATIONS
IR2.2 NOT TO SCALE

2 DRIP TUBING NOTES
IR2.2 NOTES



3 4" OR 6" POP-UP AT GRADE
IR2.2 NOT TO SCALE

4 GENERAL IRRIGATION NOTES
IR2.2 NOTES

ANY IRRIGATION ITEMS NORMALLY INSTALLED IN LANDSCAPE AREAS THAT ARE SHOWN OUTSIDE OF LANDSCAPE AREAS OR OUTSIDE OF THE PROPERTY LINES ARE SHOWN AS SUCH FOR GRAPHIC CLARITY ONLY. INSTALL THESE ITEMS INSIDE OF PROPERTY LINES AND IN LANDSCAPE AREAS.

PROVIDE PROOF TO THE LANDSCAPE ARCHITECT THAT ALL AVAILABLE MAINTENANCE MANUALS FOR EACH OF THE PRODUCTS INCLUDED IN THIS INSTALLATION HAVE BEEN PROVIDED TO THE OWNER OR OWNER'S REPRESENTATIVE.

ANY EXISTING TREE ROOTS, WHEN ENCOUNTERED DURING INSTALLATION OF UTILITIES, SHALL BE CUT OFF EVENLY WITH CLEAN SHARP PRUNING TOOLS AND COVERED WITH SOIL AS SOON AS POSSIBLE TO REDUCE DEHYDRATION. THE CONTRACTOR/DEVELOPER SHALL MINIMIZE THE DAMAGE TO EXISTING TREE ROOT SYSTEMS.

PROVIDE HAND WATERING FOR ESTABLISHMENT PERIOD FOR ALL TREES, GROUND COVER, SHRUBS, AND TURF NOT LOCATED IN IRRIGATED AREAS DURING THE ESTABLISHMENT PERIOD OF GROW-IN.

INSTALL THE SYSTEM IN ACCORDANCE WITH THE LOCAL CODES REGARDING IRRIGATION SYSTEMS.

INSTALL ALL PIPING SHOWN BETWEEN DIFFERENT PIPE SIZES AS THE LARGER SIZED PIPE.

INSTALL ALL PIPING TO INDIVIDUAL HEADS AS 3/4".

INSTALL PIPING BETWEEN THE LAST MARKED PIPE AND PIPING TO INDIVIDUAL HEADS (WHERE NO OTHER MARKINGS SHOW) AS 3/4".

THIS SYSTEM REQUIRES 25 GPM AT 45 PSI AT THE POINT OF CONNECTION. VERIFY GALLONAGE AND PRESSURE AND REPORT ANY DISCREPANCIES TO THE LANDSCAPE ARCHITECT BEFORE COMMENCING WITH THE INSTALLATION.

CONNECT TO THE EXISTING RP BFP AS THE POINT OF CONNECTION.

ADJUST THE IRRIGATION SYSTEM COMPONENTS TO PROVIDE UNIFORM COVERAGE. ASSURE THAT THE SYSTEM PROVIDES 100% COVERAGE OF ALL LANDSCAPE MATERIALS INCLUDING SHRUBS, GROUND COVER, TREES AND TURF.

ADJUST THE VERTICAL ORIENTATION OF SPRINKLERS ON SLOPES TO PROVIDE UNIFORM COVERAGE OF THE SLOPED AREA.

IRRIGATION HEADS SHALL BE LOCATED MINIMUM ONE (1) FOOT FROM ANY WALL, COLUMN, OR BUILDING EDGE/FACE.

IRRIGATION HEADS SHALL BE DIRECTED AWAY FROM BUILDING AT ALL TIMES, SO THAT SPRAY DOES NOT HIT BUILDING FACE, COLUMN, WALL, ETC.

ANY EXISTING TREE ROOTS, WHEN ENCOUNTERED DURING INSTALLATION OF UTILITIES, SHALL BE CUT OFF EVENLY WITH CLEAN SHARP PRUNING TOOLS AND COVERED WITH SOIL AS SOON AS POSSIBLE TO REDUCE DEHYDRATION. THE CONTRACTOR/DEVELOPER SHALL MINIMIZE THE DAMAGE TO EXISTING TREE ROOT SYSTEMS.

INSTALL THE SYSTEM IN ACCORDANCE WITH THE LOCAL IRRIGATION STANDARDS AND IRRIGATION REQUIREMENTS.

INSTALL MARLEX STREET ELLS FOR ALL HEADS.

Order Plans @ www.LDILine.com