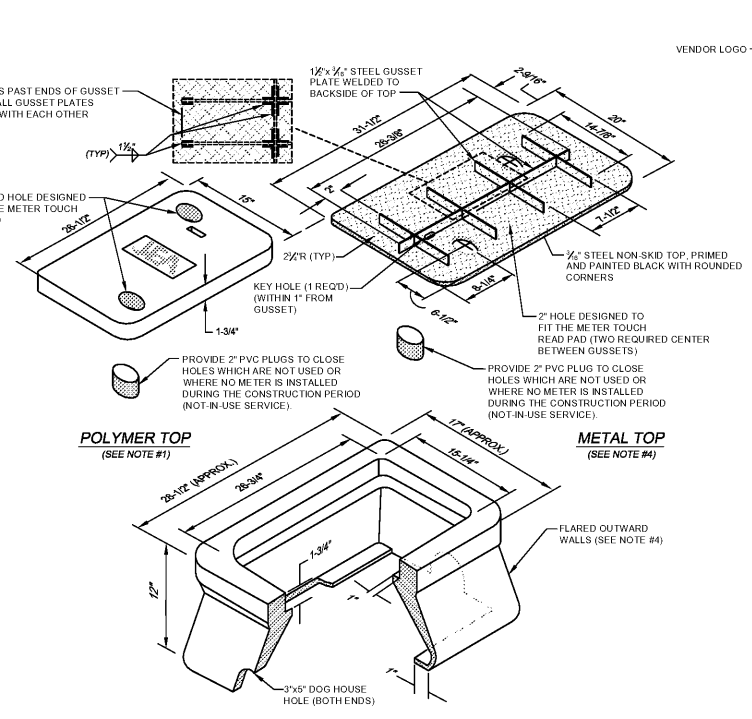


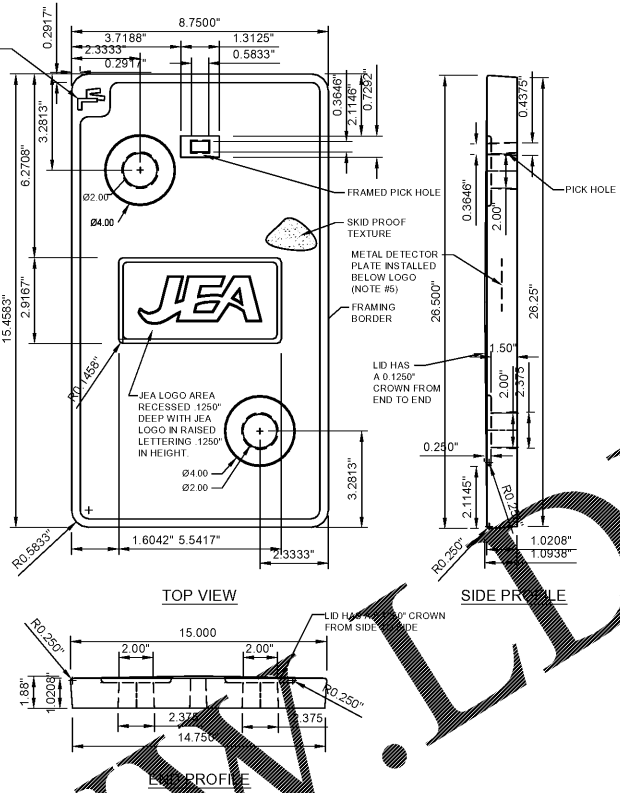
- NOTES:**
- SEE PLATE W-1 FOR METER LOCATION REQUIREMENTS.
  - SINGLE BAND SADDLES SHALL BE UTILIZED ON NEW 1" WATER SERVICES WHICH ARE INSTALLED ON A DRY 10" SIZE OR SMALLER WATER MAIN NEW WATER MAIN CONSTRUCTION. FOR WET TAPS OR WATER MAINS 12" SIZE AND LARGER, A DOUBLE BAND SADDLE IS REQUIRED. BRASS SADDLES MAY BE UTILIZED ON NEW 1" AND SMALLER WATER SERVICES WHICH ARE INSTALLED ON A DRY 10" OR SMALLER PVC WATER MAIN.
  - NO OPEN CUT UNDER ROADWAY PAVING ALLOWED UNLESS THE ROADWAY IS BEING RECONSTRUCTED OR REDIRECTED OTHERWISE BY JEA. CONSTRUCT POLY LINE WITH 24" (MIN) COVER UNDER ROADWAYS. THE POLY WATER SERVICE LINE SHALL BE SAME SIZE AS THE METER (1" MINIMUM) AND BE INSTALLED PERPENDICULAR TO THE MAIN AND NOT EXCEED 1906' UNLESS APPROVED OTHERWISE BY JEA.
  - INSTALL PVC PLUG IN ALL CURB STOPS IF WATER SERVICE IS NOT IN USE (I.E. IF NO METER IS INSTALLED); WATER SERVICES SERVING VACANT LOTS (SERVICE NOT IN USE), SHALL INCLUDE A "M" CUT INTO THE CURB (CLOSEST TO THE METER BOX), AND PAINTED BLUE (PAINTED PURPLE FOR RECLAIMED WATER). IN ADDITION, FOR NEW DEVELOPMENT AREAS WHERE THE WATER SERVICE IS "NOT IN USE", A LANDSCAPE TIMBER OR 3/4" MIN. P.T. POST (TOP PAINTED BLUE OR PURPLE FOR RECLAIMED WATER). THE REMOVAL OR TRANSFER OF A WATER SERVICE SHALL INCLUDE BRASS METER COUPLINGS (HEX ON BARREL TYPE).
  - NO 2" AND SMALLER WATER SERVICE TAPS PERMITTED ON WATER MAINS WHICH ARE 20" AND LARGER SIZE.
  - THE CONTRACTOR SHALL BE RESPONSIBLE FOR THE REPAIR OR REPLACEMENT OF THE METER OR ELECTRONIC DEVICES DAMAGED BY THE CONTRACTOR DURING THE CONSTRUCTION PERIOD.
  - METER BOX AND TOP SHALL BE CLEAR OF ALL DEBRIS TO ALLOW FULL ACCESS TO BOX (I.E. NO DIRT, TRASH OR OTHER DEBRIS PLACED ON TOP OF BOX).
  - LOCATE WIRING REQUIRED ON ALL SERVICES 10' OR GREATER IN LENGTH. SEE PLATE W-44.

**WATER SERVICE DETAIL- 2" AND SMALLER METER**  
 JANUARY 2018 PLATE W-2



- NOTES:**
- THE STANDARD BOX (FLARED OUTWARD WALLS) & TOP (2 HOLE) SHALL BE MADE OF POLYMER CONCRETE (SIMILAR TO OLD BROOKS SERIES 65). BOX WALLS SHALL BE FIBERGLASS BOX, INCLUDING THE INSIDE LP, AND TOP SHALL MEET A-8 (ASTM C857) LOAD RATING.
  - ALL SIZES SHOWN ARE IN INCHES AND ARE APPROXIMATE SIZES.
  - POLYMER BOX APPROXIMATE WEIGHT 58lbs. POLYMER TOP APPROXIMATE WEIGHT 58lbs. SEE CONSTRUCTION DETAIL W-4A FOR MANUFACTURING DETAIL FOR TWO HOLE COVER.
  - UNLESS APPROVED OTHERWISE IN WRITING BY JEA, ALL METER BOXES SHALL BE LOCATED IN NON-TRAFFIC AREAS (NOT IN THE ROADWAY, DRIVEWAYS OR SIDEWALKS).
  - METAL TOPS MAY BE UTILIZED IF SPECIFICALLY APPROVED BY A JEA MANAGER OR BY JEA METER O&M STAFF.

**WATER METER BOX & COVER FOR 1-1/2" AND 2" METERS**  
 JANUARY 2018 PLATE W-3



- NOTES:**
- ALL DIMENSIONS ARE IN INCHES.
  - COVER SHALL BE OFF-WHITE, NON-POROUS, SAND FINISH, POLISHED SATIN FINISH.
  - ALL TOP SURFACES SHALL MEET A-8 (ASTM C857) LOAD RATING.
  - THE LID SHALL BE IDENTIFIED BY CELENET TECHNOLOGY INC AND SENSUS METERING SYSTEMS TO COMPATIBLE WITH THE SENSUS MTU.
  - COVER SHALL BE DETECTABLE BY JEA MAGNETIC LOCATE EQUIPMENT.

**WATER METER BOX POLYMER CONCRETE COVER MODEL No. 65 - TWO HOLE**  
 JANUARY 2018 PLATE W-4A

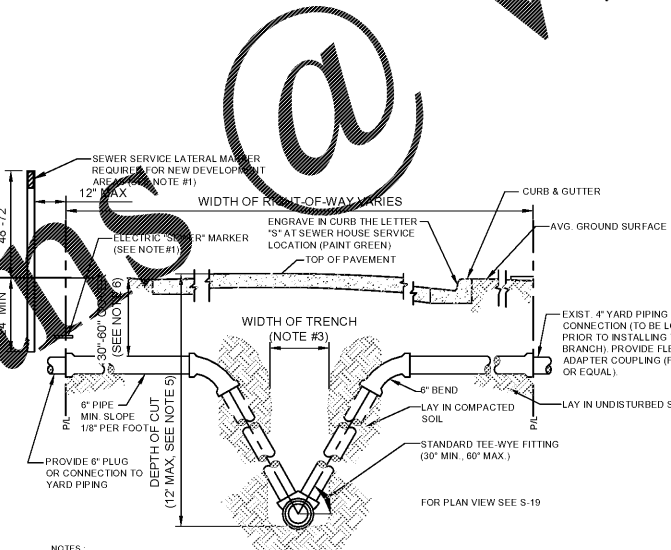
**HORIZONTAL & VERTICAL SEPARATION REQUIREMENTS**

**PROPOSED UTILITY**

CONFLICTING UTILITY	POTABLE WATER				WASTEWATER GRAVITY AND FORCE MAIN				RECLAIMED WATER				VACUUM SEWERS				
	HORIZ.	VERT.	JOINT SPACING <sup>1</sup>	MIN. SLOPE	HORIZ.	VERT.	JOINT SPACING <sup>1</sup>	MIN. SLOPE	HORIZ.	VERT.	JOINT SPACING <sup>1</sup>	MIN. SLOPE	HORIZ.	VERT.	JOINT SPACING <sup>1</sup>	MIN. SLOPE	
POTABLE WATER	3' NOTE 1	12"	3' NOTE 2	6" TO 10"	12"	6"	NOTE 2	3'	12"	6"	NOTE 2	3'	12"	6"	NOTE 2	3'	12"
RECLAIMED WATER	3'	12"	6" NOTE 2	NOTE 1	12"	3'	NOTE 2	3'	12"	6" NOTE 2	NOTE 1	12"	3'	12"	6" NOTE 2	NOTE 1	12"
WASTEWATER (GRAVITY AND FORCE MAIN)	6' TO 10"	12"	6" NOTE 2	NOTE 1	12"	3'	NOTE 2	3'	12"	6" NOTE 2	NOTE 1	12"	3'	12"	6" NOTE 2	NOTE 1	12"
VACUUM SEWERS	3' TO 10"	12"	3' NOTE 2	NOTE 1	12"	6"	NOTE 2	3'	12"	3' NOTE 2	NOTE 1	12"	3'	12"	3' NOTE 2	NOTE 1	12"
RIGHT OF WAYS	3' NOTE 1	N/A	N/A	3' NOTE 1	N/A	N/A	3' NOTE 1	N/A	3' NOTE 1	N/A	N/A	3' NOTE 1	N/A	3' NOTE 1	N/A	N/A	3' NOTE 1
PERMANENT STRUCTURES (SIGNS, POLES, ETC.)	3' NOTE 1	N/A	N/A	3' NOTE 1	N/A	N/A	3' NOTE 1	N/A	3' NOTE 1	N/A	N/A	3' NOTE 1	N/A	3' NOTE 1	N/A	N/A	3' NOTE 1
STORM SEWERS	3' NOTE 1	12"	3' NOTE 2	NOTE 1	12"	3'	NOTE 2	3'	12"	3' NOTE 2	NOTE 1	12"	3'	12"	3' NOTE 2	NOTE 1	12"
GAS	3' NOTE 1	12"	3' NOTE 2	NOTE 1	12"	3'	NOTE 2	3'	12"	3' NOTE 2	NOTE 1	12"	3'	12"	3' NOTE 2	NOTE 1	12"
TREES	3' NOTE 6	N/A	N/A	3' NOTE 6	N/A	N/A	3' NOTE 6	N/A	3' NOTE 6	N/A	N/A	3' NOTE 6	N/A	3' NOTE 6	N/A	N/A	3' NOTE 6
ALL OTHER UTILITIES	3' NOTE 1	12"	3' NOTE 2	NOTE 1	12"	3'	NOTE 2	3'	12"	3' NOTE 2	NOTE 1	12"	3'	12"	3' NOTE 2	NOTE 1	12"

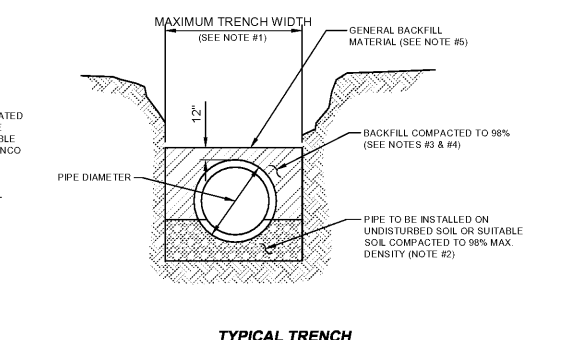
- NOTES:**
- THIS SEPARATION REQUIREMENT IS TO PROVIDE ACCESS TO ALL UTILITIES FOR REPAIR AND MAINTENANCE. THREE FEET OF HORIZONTAL SEPARATION IS THE MINIMUM FOR PIPES WITH THREE FEET COVER. FOR UTILITIES WITH GREATER DEPTH, PROVIDE AN ADDITIONAL FOOT OF SEPARATION FOR EACH ADDITIONAL FOOT OF DEPTH.
  - THE MINIMUM SPACING IS TO BE MAINTAINED FROM CROSSING FROM OTHER UTILITIES WHILE STILL MAINTAINING MINIMUM VERTICAL SEPARATION.
  - DEVICES GIVEN A MINIMUM OF 12" OF PIPE TO CLEAR.
  - IF WATER PIPE SHALL BE THROUGH AND COME INTO CONTACT WITH ANY PART OF SANITARY OR STORM WATER MANHOLE OR STRUCTURES.
  - IF WATER MAIN SHOULD CROSS ABOVE OTHER UTILITIES WHENEVER POSSIBLE. WHEN WATER MAIN MUST BE BELOW OTHER UTILITY PIPING, THE MINIMUM SEPARATION SHALL BE 12" MIN.
  - REFER TO POTABLE WATER TAPPING SECTION 350, III.4.11.

**SEPARATION REQUIREMENTS FOR WATER, WASTEWATER AND RECLAIMED WATER MAINS**  
 JANUARY 2018 PLATE W-10



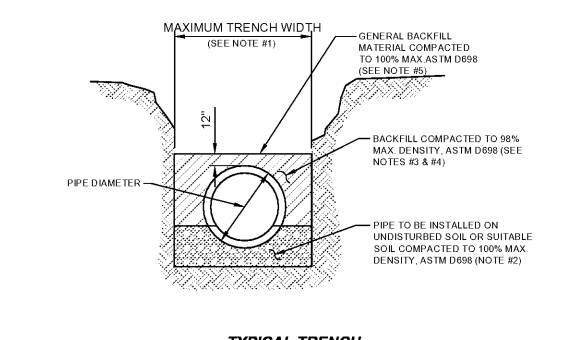
- NOTES:**
- TO MARK THE LOCATION OF THE 6" PLUG FOR NEW SERVICE, FOR PROJECTS WHERE NO CONCRETE CURB EXIST, AN ELECTRONIC "SEWER" MARKER IS REQUIRED FOR ALL LATERALS WHICH ARE BEING INSTALLED FOR FUTURE USE AT A MAX DEPTH OF 3' AT FINISH GRADE. FOR NEW DEVELOPMENT AREAS WHERE THE SEWER LATERAL IS "NOT IN USE", A LANDSCAPE TIMBER OR 3/4" MIN. P.T. POST (TOP PAINTED GREEN) SHALL BE INSTALLED. WHERE REQUIRED BY JEA OR NO CONCRETE CURB EXIST, AN ELECTRONIC "SEWER" MARKER SHALL BE INSTALLED TO MARKER SHALL ALSO BE INSTALLED.
  - THE MINIMUM SIZE OF ALL HOUSE LATERALS SHALL BE 6" INCHES. THE MAXIMUM LENGTH OF A HOUSE LATERAL SHALL BE 60 FEET (LENGTH BETWEEN SEWER MAIN OR MANHOLE TO CUSTOMER PROPERTY LINE).
  - SEE MEASUREMENT AND PAYMENT SECTION FOR MAXIMUM PAYMENT WIDTHS.
  - ALL GRAVITY SEWER MAINS AND ASSOCIATED SEWER LATERAL PIPE AND FITTINGS (INCLUDING THE TEE-WYE FITTINGS) SHALL BE PVC SDR 26.
  - UNLESS APPROVED OTHERWISE BY A JEA O&M MANAGER, NO GRAVITY SEWER MAIN WITH SEWER SERVICE LATERALS SHALL BE CONSTRUCTED WITH A "DEPTH OF CUT" GREATER THAN 12 FEET.
  - SEWER SERVICE LATERALS ASSOCIATED WITH GRAVITY SEWER MAINS WHICH ARE DEEPER THAN 12 FEET, MUST BE ROUTED TO A GRAVITY SEWER HIGH LINE, A MANHOLE OR OTHER JEA APPROVED METHOD.
  - THE SEWER SERVICE LATERAL SHALL BE CONSTRUCTED AT A DEPTH TO ALLOW A GRAVITY CONNECTION BY THE CUSTOMER, WHERE POSSIBLE (CONTINGENT UPON MEETING THE CUSTOMER'S ON-SITE CONDITIONS AND LOCAL CONSTRUCTION STANDARDS). ALTERNATE, REQUIRING MORE THAN 60" OF COVER MUST BE APPROVED, PRIOR TO CONSTRUCTION, BY JEA.

**HOUSE LATERAL - SECTION VIEW**  
 JANUARY 2018 PLATE W-20



- NOTES:**
- TRENCH SIDES SHALL BE APPROXIMATELY VERTICAL BETWEEN AN ELEVATION OF 1 FOOT ABOVE THE TOP OF THE PIPE AND THE CENTER LINE OF THE PIPE. OTHERWISE, TRENCH SIDES SHALL BE AS VERTICAL AS POSSIBLE OR AS REQUIRED BY OSHA STANDARDS. REFER TO THE MEASUREMENT AND PAYMENT SECTION (SECTION #60, PARAGRAPH #4) TO DETERMINE MAXIMUM PAYLINE WIDTHS.
  - BELL HOLE SHALL BE DUG TO PERMIT THE ENTIRE STRAIGHT BARREL OF THE PIPE TO REST ON THE UNDISTURBED TRENCH BOTTOM. BOULDERS OR LOOSE ROCKS LARGER THAN 3/4 INCH IN SIZE WILL NOT BE PERMITTED IN BACKFILL UP TO 1 FOOT ABOVE THE TOP OF THE PIPE.
  - BACK FILL MATERIAL UP TO A LEVEL OF 1 FOOT OVER THE PIPE SHALL CONSIST OF AASHTO CLASS A-3 SOIL (SUITABLE SOIL) AND SHALL EXCLUDE CLAY MATERIALS AND LOOSE ROCKS LARGER THAN 3/4 INCH SIZE.
  - BACKFILL MATERIAL UP TO A LEVEL 1 FOOT OVER THE TOP OF PIPE OR BOTTOM OF STRUCTURES SHALL BE PLACED IN 6 INCH COMPACTED THICKNESS LAYERS AND SHALL BE COMPACTED TO 98% OF ITS MAXIMUM DENSITY AS DETERMINED BY THE LABORATORY MODIFIED PROCTOR TEST, ASTM D1557.
  - SEE "EXCAVATION AND EARTHWORK" SECTION 408 FOR ADDITIONAL REQUIREMENTS INCLUDING REMOVAL AND REPLACEMENT OF UNSUITABLE SOILS, DEWATERING, COMPACTION REQUIREMENTS AND DENSITY TESTING OF COMPACTED SOILS.

**OPEN CUT TRENCH FOR PRESSURE PIPE**  
 JANUARY 2018 IN CITY RIGHT-OF-WAY PLATE W-42



- NOTES:**
- TRENCH SIDES SHALL BE APPROXIMATELY VERTICAL BETWEEN AN ELEVATION OF 1 FOOT ABOVE THE TOP OF THE PIPE AND THE CENTER LINE OF THE PIPE. OTHERWISE, TRENCH SIDES SHALL BE AS VERTICAL AS POSSIBLE OR AS REQUIRED BY OSHA STANDARDS. REFER TO THE MEASUREMENT AND PAYMENT SECTION (SECTION #60, PARAGRAPH #4) TO DETERMINE MAXIMUM PAYLINE WIDTHS.
  - BELL HOLE SHALL BE DUG TO PERMIT THE ENTIRE STRAIGHT BARREL OF THE PIPE TO REST ON THE UNDISTURBED TRENCH BOTTOM. BOULDERS OR LOOSE ROCKS LARGER THAN 3/4 INCH IN SIZE WILL NOT BE PERMITTED IN BACKFILL UP TO 1 FOOT ABOVE THE TOP OF THE PIPE.
  - BACK FILL MATERIAL UP TO A LEVEL OF 1 FOOT OVER THE PIPE SHALL CONSIST OF AASHTO CLASS A-3 SOIL (SUITABLE SOIL) AND SHALL EXCLUDE CLAY MATERIALS AND LOOSE ROCKS LARGER THAN 3/4 INCH SIZE.
  - BACKFILL MATERIAL UP TO A LEVEL 1 FOOT OVER THE TOP OF PIPE OR BOTTOM OF STRUCTURES SHALL BE PLACED IN 6 INCH COMPACTED THICKNESS LAYERS AND SHALL BE COMPACTED TO 100% OF ITS MAXIMUM DENSITY AS DETERMINED BY THE LABORATORY MODIFIED PROCTOR TEST, ASTM D698.
  - SEE "EXCAVATION AND EARTHWORK" SECTION 408 FOR ADDITIONAL REQUIREMENTS INCLUDING REMOVAL AND REPLACEMENT OF UNSUITABLE SOILS, DEWATERING, COMPACTION REQUIREMENTS AND DENSITY TESTING OF COMPACTED SOILS.

**OPEN CUT TRENCH FOR PRESSURE PIPE**  
 JANUARY 2018 IN STATE ROAD RIGHT-OF-WAY PLATE W-42A

WATERMANS@wmanline.com



PANDA RESTAURANT GROUP INC.  
 1683 Walnut Grove Ave.  
 Rosemead, California  
 91770  
 Telephone: 626.799.9898  
 Facsimile: 626.372.8288

All ideas, designs, arrangement and plans indicated or represented by this drawing are the property of Panda Express Inc. and were created for use on this specific project. None of these ideas, designs, arrangements or plans may be used by or disclosed to any person, firm, or corporation without the written permission of Panda Express Inc.

**REVISIONS:**

ARCH/CIVIL/OWNER COORD.	01/30/19
-------------------------	----------

**ISSUE DATE:**

ISSUED FOR BID	01/30/19
----------------	----------

DRAWN BY: P. Ranucci

PANDA PROJECT # S8-19-06573  
 ARCH PROJECT # P7336



**PANDA EXPRESS**  
 TRUE WARM & WELCOME 2200  
 ATLANTIC & KERNAN  
 CITY OF JACKSONVILLE, FLORIDA

**C5.3**

AGENCY DETAILS SHEET

TRUE WARM & WELCOME 2200