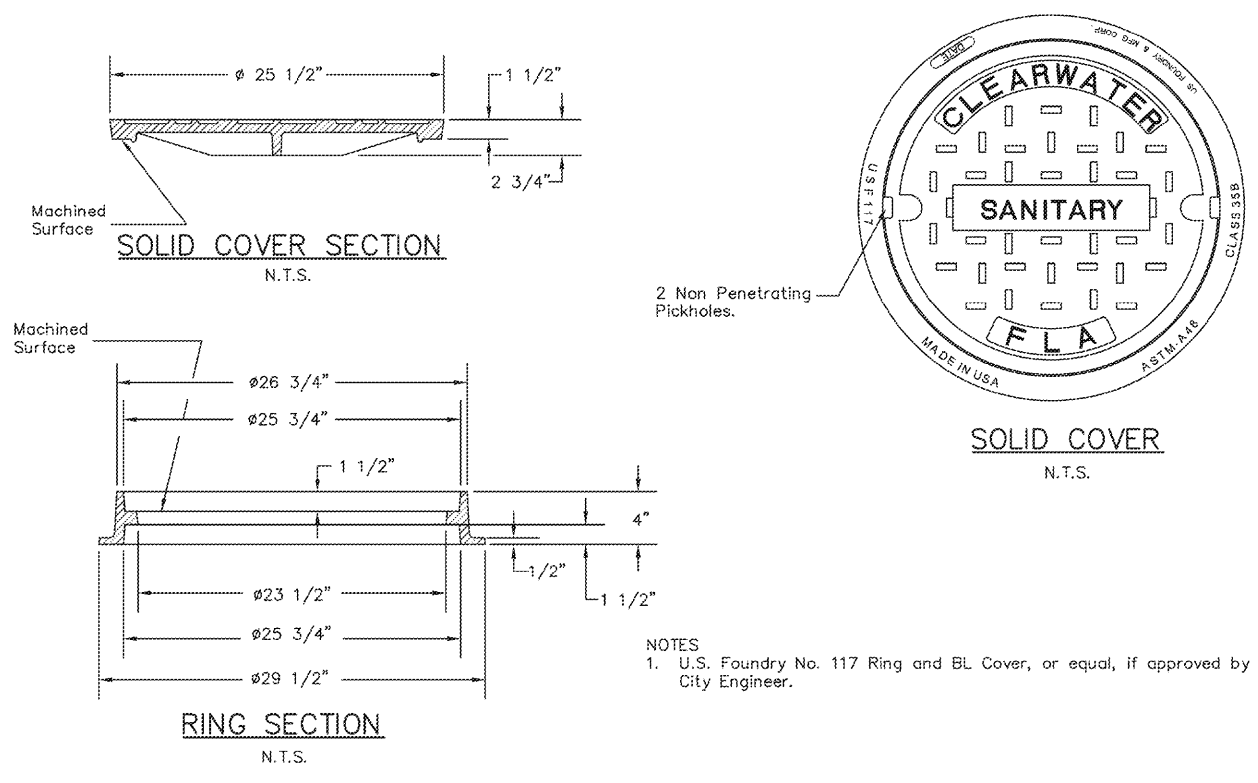
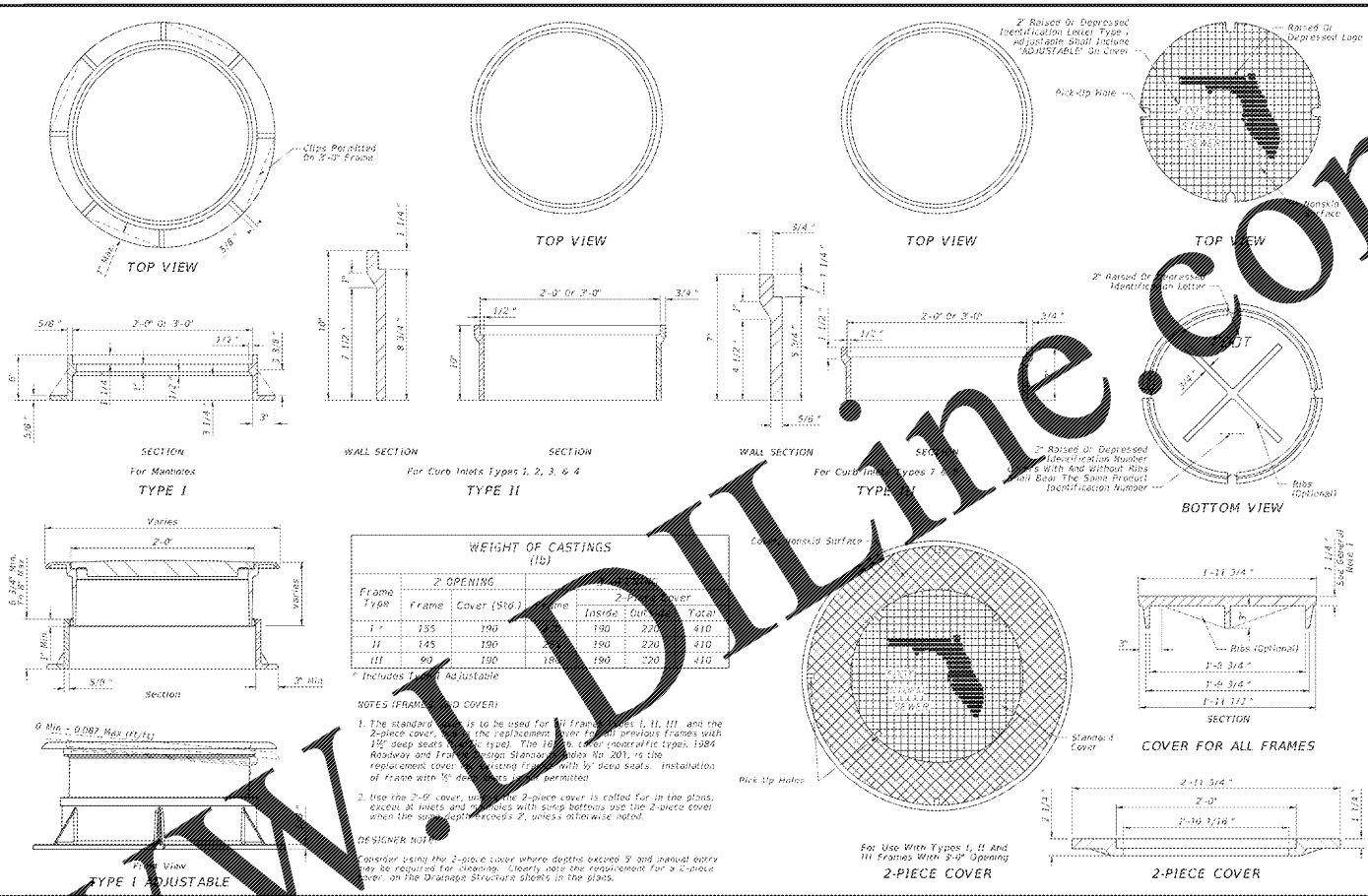


THIS DRAWING IS THE PROPERTY OF AEC SERVICES, INC. AND HAS BEEN PREPARED SPECIFICALLY FOR THE OWNER OF THIS PROJECT AT THIS SITE. IT MAY NOT BE USED FOR ANY OTHER PURPOSE, LOCATION, OR OWNER.

Order Plans @ WWW.WEDLINE.COM



**NOTES**  
 1. U.S. Foundry No. 117 Ring and BL Cover, or equal, if approved by City Engineer.



DATE	REVISION	DESCRIPTION	APP

CITY OF CLEARWATER  
 ENGINEERING DEPARTMENT  
 SANITARY SEWER  
 DETAILS

SANITARY SEWER MANHOLE COVER  
 NON-ROADWAY APPLICATION

INDEX NO. 301  
 PAGE NO. 1 of 3  
 LATEST REVISION 2/22/2016

FY 2017-18 DESIGN STANDARDS SUPPLEMENTARY DETAILS FOR MANHOLES & INLETS INDEX NO. 201 SHEET NO. 1 of 5

CUSTOMER: GIANT OIL INC  
 1806 N. FRANKLIN STREET  
 TAMPA, FLORIDA 33602  
 SITE ADDRESS: BP STATION  
 3009 GULF TO BAY BLVD.  
 CLEARWATER, FLORIDA 34619

ENGINEER OF RECORD: AEC Services, Inc.  
 RON FAIR, P.E.  
 License No. 9277, CE 0001445  
 1619 ALLISON WOODS LANE  
 TAMPA, FL 33619  
 (813) 984-1234  
 www.aecservicesinc.com

NO.	DESCRIPTION	DATE	CHECKED	GEPI	APPROVAL	RAF

JOB NO.	DWG Name	XREF Name	SCALE	DATE	DRAWN BY	CHECKED	APPROVAL
0016172	CIVIL	NONE	N.T.S.	2/15/17	PAZ	GEPI	RAF

UTILITY DETAILS

C-5.3