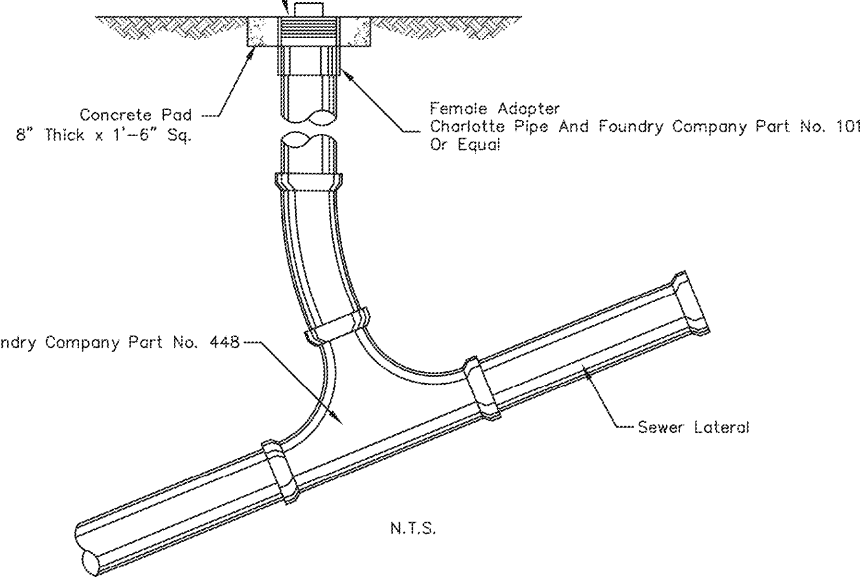


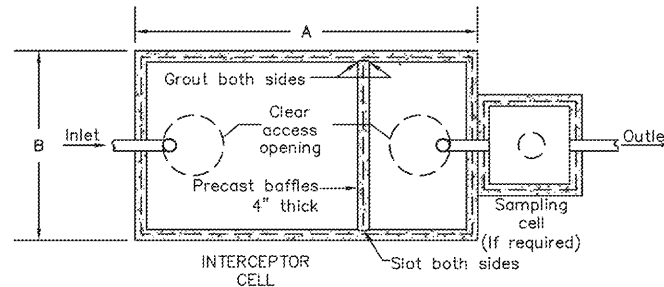
Cleanout Plug
Charlotte Pipe And Foundry Company Part No. 106
Or Equal



NOTE
Cleanout Plug Cover for traffic areas
to be U.S. Foundry 7623 Or Equal.

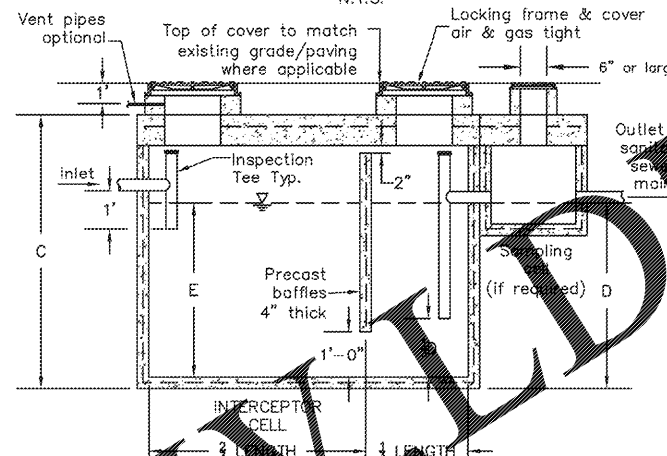
Two-Way Cleanout
Charlotte Pipe And Foundry Company Part No. 448
Or Equal

N.T.S.



PLAN VIEW

N.T.S.



SECTION VIEW

N.T.S.

INTERCEPTOR CELL SIZING CHART					
GALLON CAPACITY	A	B	C	D	E
750	7'-0"	4'-8"	7'-0"	4'-3"	3'-11"
1000	9'-0"	5'-0"	7'-2"	4'-3"	3'-10"
1250	9'-0"	5'-0"	7'-2"	5'-2"	4'-0"

GENERAL NOTES:

- The interceptor system may consist of multiple interceptor cells, if required greater than 1250 gallon capacity.
- One sampling cell per system shall be installed at outfall to main, and if required.
- Concrete wall coating taking into consideration the water to mix.
- Contractor to supply & install all piping and sanitary tee's, clean-outs of cleaning toward and away from interceptor alternate dual sweep clean-outs).
- Contractor shall assure 2,500 PSI minimum soil bearing capacity at bedding elevation.

REVISIONS:

- Concrete: 4500psi at 28 day.
- Rebar: ASTM A615 Grade 60.
- Mesh: ASTM A815 Grade 65.
- Design: ACI3 18-83 Building Code ASTM C857 Minimum Structural Design Loading for Underground Precast Concrete Utility Structures
- Loads: H-20 truck wheels w/30% impact per AASHTO.
- Fill w/clean water prior to start up of system.
- Gray water only, black water shall be carried by separate sewer.

DATE	REVISION DESCRIPTION	APP

CITY OF CLEARWATER
ENGINEERING DEPARTMENT
SANITARY SEWER
DETAILS

STANDARD CLEANOUT
(SANITARY)

INDEX NO. 304
PAGE NO. 1 OF 2
LATEST REVISION 2/22/2016

DATE	REVISION DESCRIPTION	R.P.	APP

CITY OF CLEARWATER
ENGINEERING DEPARTMENT
SANITARY SEWER
DETAILS

GREASE INTERCEPTOR
750-1250 GALLON

INDEX NO. 307
PAGE NO. 1 OF 1
LATEST REVISION 2/22/2016

1" Threaded Corporation Stop
MUELLER H-10003N,
1 1/2" Threaded Corporation Stop
FORD FB 400-6, MUELLER B-2996N or
2" Threaded Corporation Stop
FORD FB 400-7, MUELLER B-2996N or
approved equal. See Note 5

1 1/4" X 1" 90° Ell, Brass;
1 1/2" x 1 1/2" 90° Ell, Brass or
2" x 2" 90° Ell, Brass

Curb Stop
MUELLER H24350 or FORD
B43-332-WQ with Lock Nut and
Compression inlet (3/4" or 1"
meter subval nut, 1 1/2" or 2" use
FIP outlet) or approved equal

Water Service Tubing Driscopipe 5100 or
Endot/Yardley Blue Jet, SDR 9, 3408 Polyethylene

1", 1 1/2" or 2" Comp x MIP Water,
MUELLER H15428

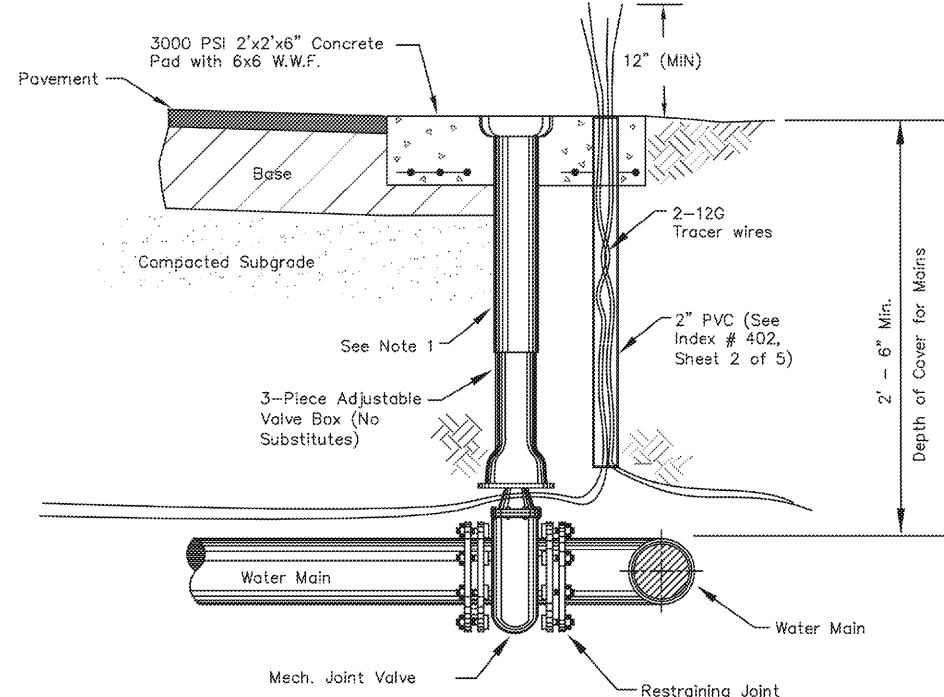
1", 1 1/2" or 2" 90° Ell, Brass

1"x 2", 1 1/2"x 2", 2"x 2" 90° Nipple Elbows

iron service saddle
Ford FC 202 series or
MUELLER DR25 w/stainless
steel band and epoxy coated
ductile iron body or approved
equal.

NOTES:

- Contractor to stake service connections, which are to be 2 FT. from side lot line on either side of lot (See Index 401 Sheet 3 of 3). These services to be consistent within the subdivision. Driveways shall not be built over meters or service taps. Meters or service taps shall not be installed within or under driveways.
- All lines shall be chlorinated and pressure tested (Test for two hours @ 150 P.S.I.) under the direction of the Utilities Department. After successful completion of the testing and chlorination, the pressure shall remain on the system at all times.
- Ten (10) FT. separation required between parallel water & sanitary sewer lines.
- Saddle is required for all service connections to mains.
- Taps should be made on a 45° angle from top of pipe. For cover 12" or less, tap shall be made on a 90° angle from top of pipe.
- Minimum distance between service taps to be not less than 36".



SECTION VIEW

N.T.S.

NOTE:
1. No PVC risers allowed.

DATE	REVISION DESCRIPTION	APP

CITY OF CLEARWATER
ENGINEERING DEPARTMENT
WATER
DETAILS

WATER MAIN SERVICE
CONNECTION DETAIL

INDEX NO. 401
PAGE NO. 1 OF 3
LATEST REVISION 2/22/2016

DATE	REVISION DESCRIPTION	APP

CITY OF CLEARWATER
ENGINEERING DEPARTMENT
WATER
DETAILS

TYPICAL VALVE AND BOX SETTING
SECTION VIEW

INDEX NO. 402
PAGE NO. 1 OF 4
LATEST REVISION 2/22/2016

THIS DRAWING IS THE PROPERTY OF AEC SERVICES, INC. AND HAS BEEN PREPARED SPECIFICALLY FOR THE OWNER OF THIS PROJECT AT THIS SITE. IT MAY NOT BE USED FOR ANY OTHER PURPOSE, LOCATION, OR OWNER.

Order Plans @

GIANT OIL INC
1806 N. FRANKLIN STREET
TAMPA, FLORIDA 33602
BP STATION
3009 GULF TO BAY BLVD.
CLEARWATER, FLORIDA 34619

ENGINEER OF RECORD:
AEC Services, Inc.
RON FAIR, P.E.
License No. 9277 QB #001445
1619 ALLISON WOODS LANE
TAMPA, FL 33619
(813) 984-1254
www.aecservicesinc.com

NO.	DATE	DESCRIPTION	APPROVAL

UTILITY
DETAILS

C-5.1