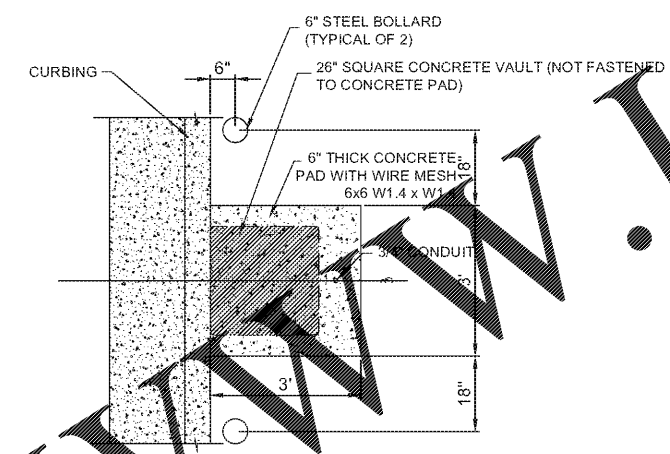
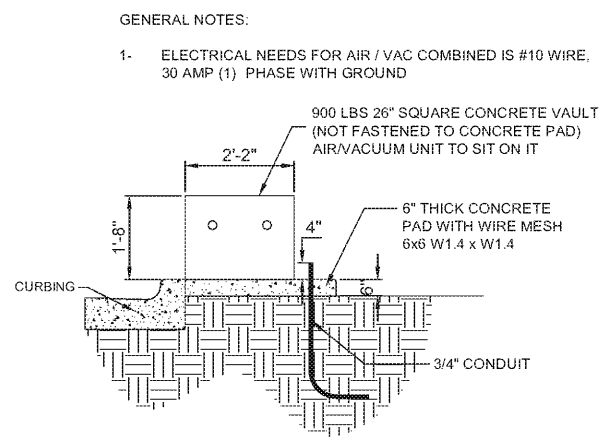


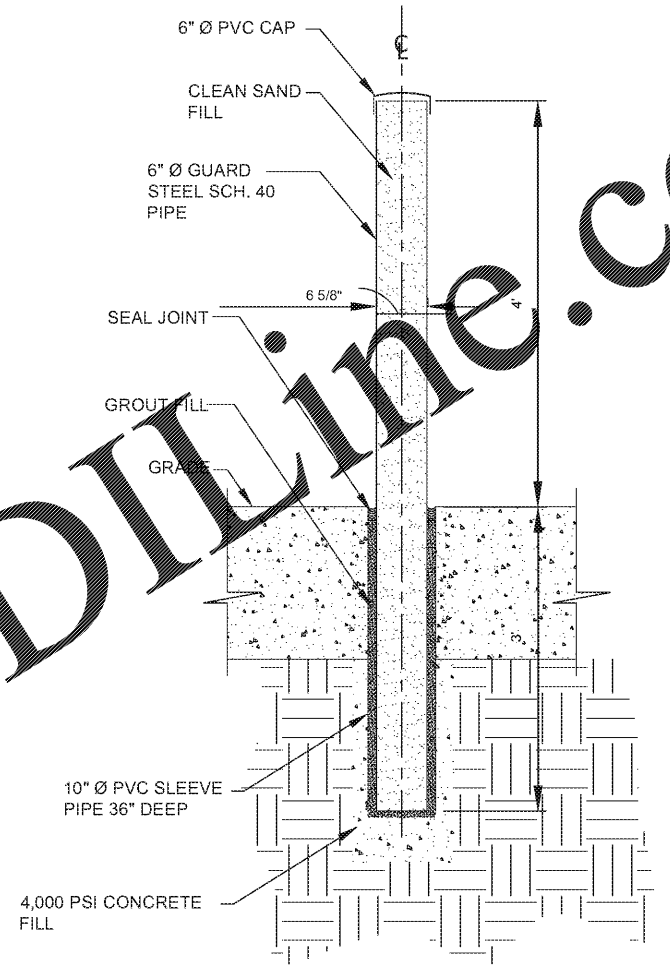
GENERAL NOTES:

- 1- FORMED CONCRETE FOUNDATION POURS ARE TO BE PERFORMED WITH USE OF A CEMENT VIBRATOR.
- 2- FORMED CONCRETE SURFACES SHALL BE SURFACE FINISHED AS SOON AS PRACTICAL AND NOT LATER THAN 6 HOURS FOLLOWING PLACEMENT. REMOVE ALL FORM TIES, FINS AND PROJECTIONS. PATCH THE HOLES, INDENTATIONS AND OTHER SURFACE IRREGULARITIES WITH SAND CEMENT PATCHING MORTAR 3000 PSI. FILL AND REPAIR HONEYCOMB AND HOLES.
- 3- DIMENSION IS 2'-6" FROM PAVEMENT TO TOP OF FOUNDATION AND 2'-0" FROM SURROUNDING GROUND TO TOP OF FOUNDATION.
- 4- REBAR MINIMUM 3" COVER.

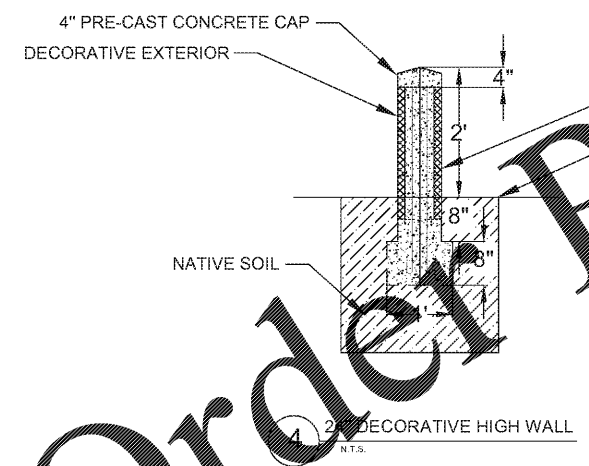
1 YARD LIGHT DETAIL
N.T.S.



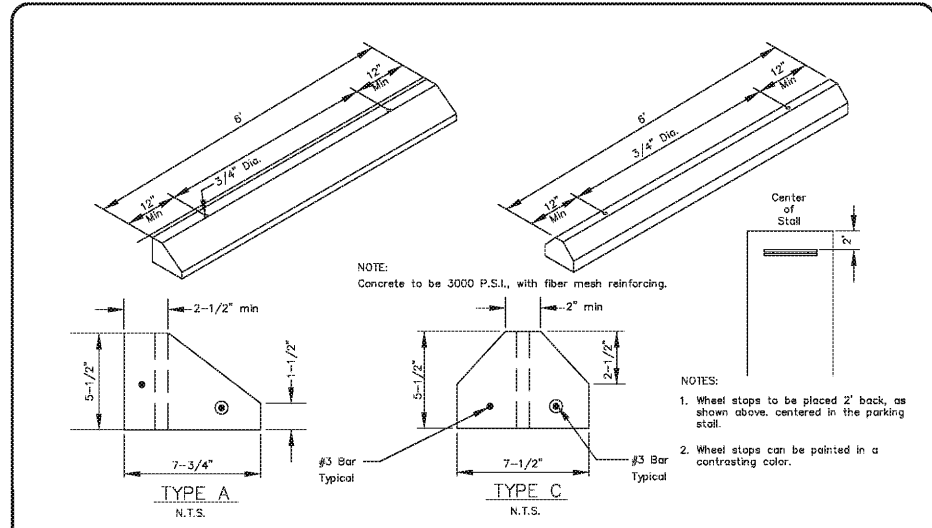
2 AIR & VACUUM UNIT DETAIL
N.T.S.



3 BOLLARD DETAILS
N.T.S.



4 DECORATIVE HIGH WALL
N.T.S.



DATE	NOTES EDITED	SR	CITY OF CLEARWATER ENGINEERING DEPARTMENT STREET SECTIONS AND DETAILS	INDEX NO. 117 PAGE NO. 1 OF 1 LATEST REVISION 2/22/2018
3/28/15		APP	WHEEL STOPS - REINFORCED CONCRETE	

CUSTOMER: GIANT OIL INC
1806 N. FRANKLIN STREET
TAMPA, FLORIDA 33602

SITE ADDRESS: BP STATION
3009 GULF TO BAY BLVD.
CLEARWATER, FLORIDA 34619

ENGINEER OF RECORD: AEC Services, Inc.
RON FAIR, P.E.
License No. 9277 QB #0011445
FL # 50738

1818 ALLISON WOODS LANE
TAMPA, FLORIDA 33619
(813) 884-1234
(813) 884-2690 (f)
www.aecservicesinc.com

NO.	DESCRIPTION	DATE	CHECKED BY	APPROVAL
1	REVISIONS			

SITE PLAN
DETAILS

C-3.1

THIS DRAWING IS THE PROPERTY OF AEC SERVICES, INC. AND HAS BEEN PREPARED SPECIFICALLY FOR THE OWNER OF THIS PROJECT AT THIS SITE. IT MAY NOT BE USED FOR ANY OTHER PURPOSE, LOCATION, OR OWNER.

Order Plans @