

NO	REVISION / SUBMISSIONS	DATE

JOHN A. TUTEN & ASSOCIATES
 ARCHITECTS
 4680 U.S. HIGHWAY 17 NORTH
 BRUNSWICK, GEORGIA 31525
 www.jatuten.com

GLYNN ACADEMY HIGH SCHOOL
 SCIENCE BLDG. (5015) MODERNIZATION
 1001 MANSFIELD ST. BRUNSWICK GA, 31520
 GLYNN COUNTY BOARD OF EDUCATION

CAPITAL OUTLAY
 PROJECT # TBD
 SYSTEM CODE: 663
 SCHOOL CODE: 4752
 FTE: 1793

MECHANICAL DETAILS



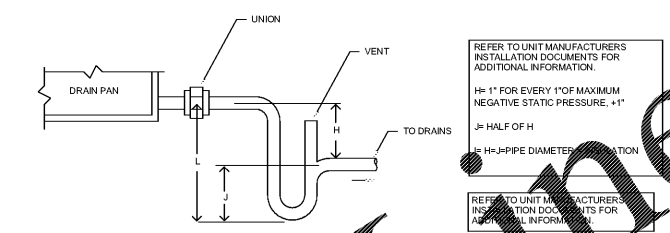
ISSUED FOR:
 BID SET

J.V. MP
 DRAWN BY
 DPCE
 CHECKED BY
 D.J.P.
 APPROVED BY
 01/19/19
 PROJECT DATE
 1802
 PROJECT NUMBER

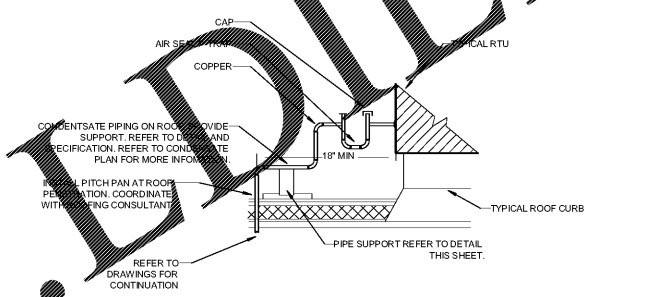
SHEET NUMBER:
M5.02

Copyright (c) 2019
 All Rights Reserved.

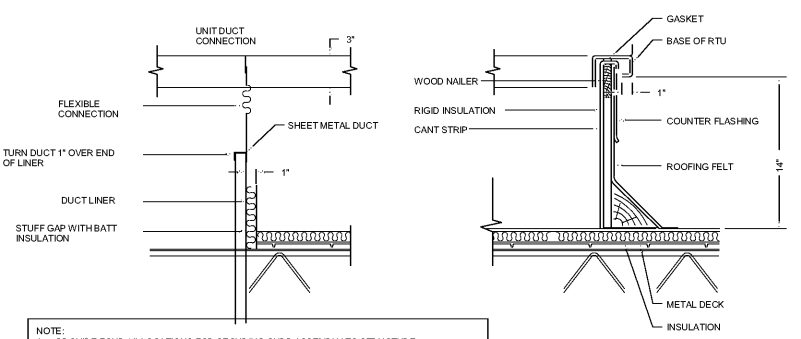
dpce DON PENN CONSULTING ENGINEER
 1001 BSA AVE. SUITE 1400
 WEB LAKE, TX 75982
 409.412.2688 | F 409.251.8411



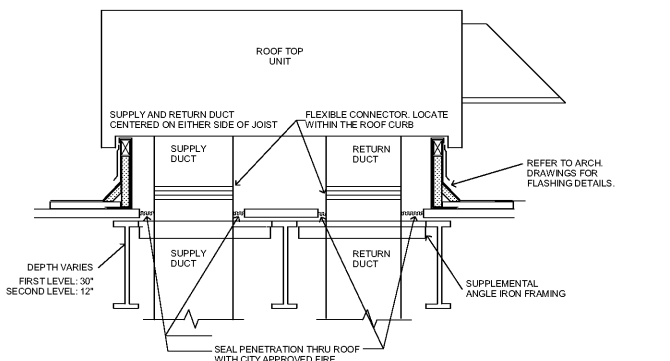
4 CONDENSATE DRAIN DETAIL
 SCALE: N.T.S.



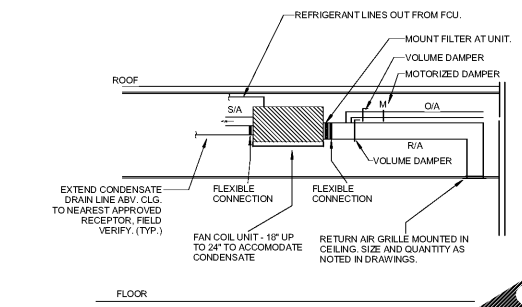
3 ROOF CONDENSATE PENETRATION DETAIL
 SCALE: N.T.S.



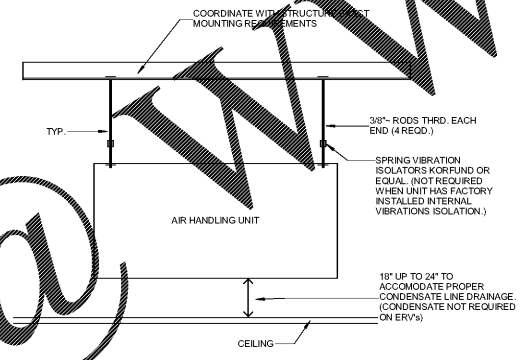
2 ROOFTOP UNIT (RTU) SUPPORT DETAIL
 SCALE: N.T.S.



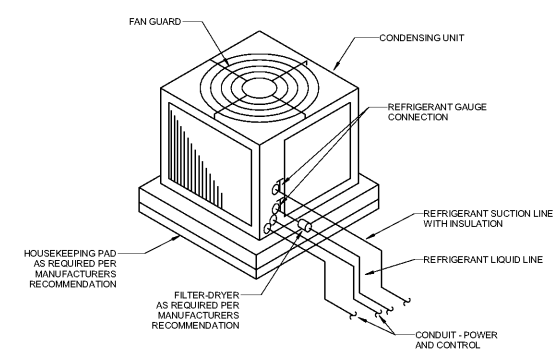
1 RTU DUCTWORK PENETRATION DETAIL
 SCALE: N.T.S.



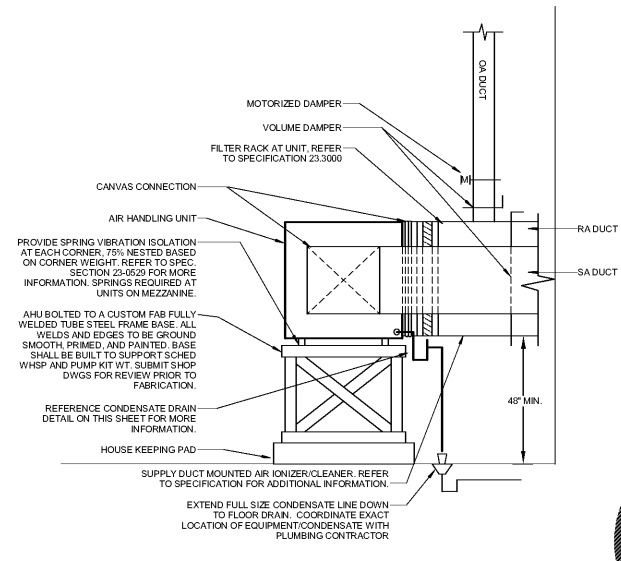
7 AIR HANDLING UNIT CEILING RETURN DETAIL
 SCALE: N.T.S.



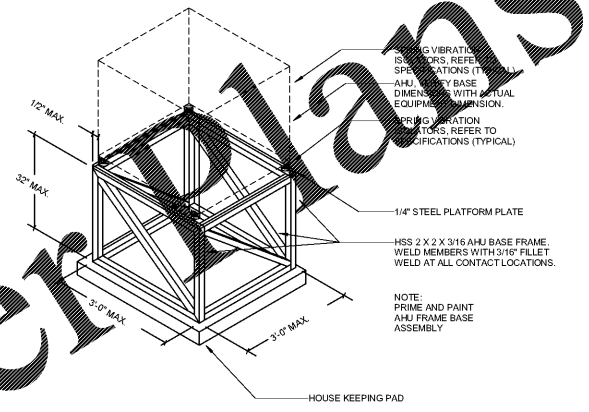
6 AIR HANDLING UNIT SUPPORT DETAIL
 SCALE: N.T.S.



5 ACCU DETAIL
 SCALE: N.T.S.



9 HORIZONTAL AHU INSTALLATION DETAIL
 SCALE: N.T.S.



8 HORIZONTAL AHU FRAME BASE DETAIL
 SCALE: N.T.S.

1/15/2019 4:15:09 PM C:\Users\jacob.d... \Documents\17-2015_GA SCIENCE BUILDING MEP\2016_jacob.dwg

Order Plans