

NO	REVISION / SUBMISSIONS	DATE

JOHN A. TUTTIN & ASSOCIATES
ARCHITECTS
4680 U.S. HIGHWAY 17 NORTH
BRUNSWICK, GEORGIA 31525
www.plattner.com

GLYNN ACADEMY HIGH SCHOOL
SCIENCE BLDG. (5015) MODERNIZATION
1001 MANSFIELD ST. BRUNSWICK GA, 31520
GLYNN COUNTY BOARD OF EDUCATION

CAPITAL OUTLAY
PROJECT # TBD
SYSTEM CODE: 663
SCHOOL CODE: 4752
FTE: 1793

MECHANICAL DETAILS

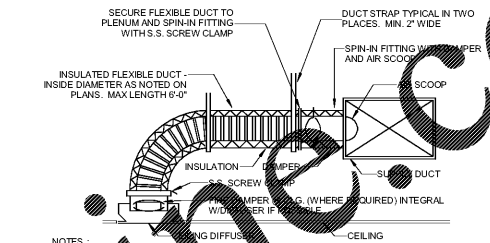


ISSUED FOR:
BID SET

J.V. MP
DRAWN BY
DPCE
CHECKED BY
DJP
APPROVED BY
01/19/19
PROJECT NO.
1802
PROJECT NUMBER

SHEET NUMBER:
M5.01

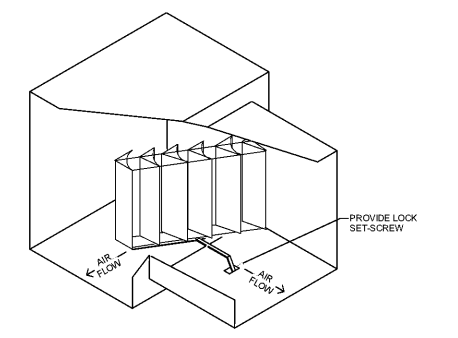
Copyright (c) 2019
All Rights Reserved.



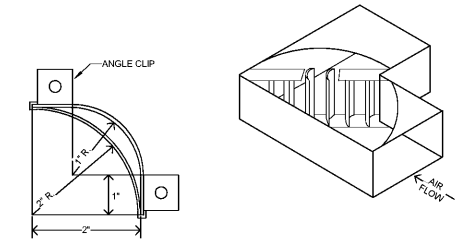
NOTES:
* FOR LENGTHS GREATER THAN 10' USE EXTERNALLY INSULATED RIGID ROUND DUCT THE SAME SIZE AS THE FLEXIBLE DUCT FOR THE ADDITIONAL LENGTH.
* FLEXIBLE DUCT SHALL BE UL LISTED APPROVED AND SHALL NOT BE KINKED OR SAGGED.
* PROVIDE SPIN-IN FITTING FOR ALL RIGID FLEXIBLE DUCT CONNECTIONS TO RECTANGULAR DUCT. SPIN-IN FITTINGS SHALL BE FACTORY FABRICATED, AND INCLUDE AN AIR EXTRACTOR, SCOPES AND A BALANCING DAMPER WITH A LOCKING QUADRANT AND HANDLE. BALANCING SHALL BE AT THE SPIN-IN FITTING AND NOT AT THE AIR DISTRIBUTION DEVICE.

WHERE SHOWN ON PLANS, TAP FROM BOTTOM OF DUCT WITH SAME STANDARDS AS STATED ABOVE.

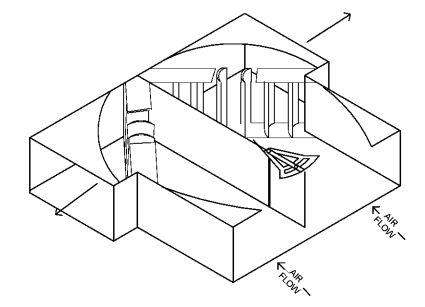
3 DIFFUSER CONNECTION DETAIL
SCALE: N.T.S.



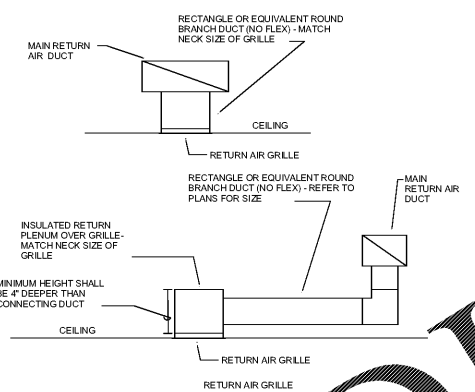
3 BRANCH DUCT TAKEOFF DETAIL
SCALE: N.T.S.



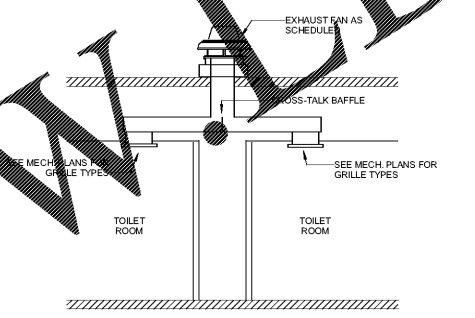
2 ELBOW TURNING VANE DETAIL
SCALE: N.T.S.



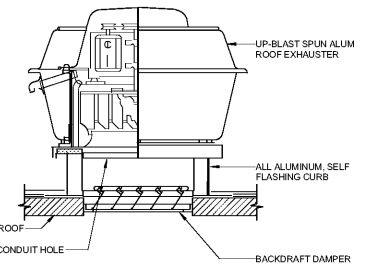
1 SPLITTER DAMPER DETAIL
SCALE: N.T.S.



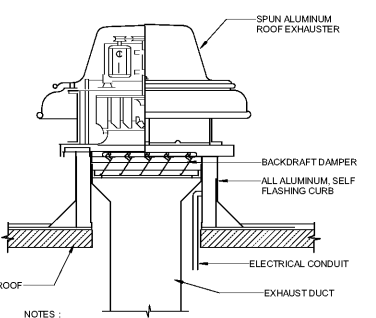
8 RETURN AIR CONNECTION DETAIL
SCALE: N.T.S.



7 GROUP TOILET (EXHAUST) SECTION
SCALE: N.T.S.

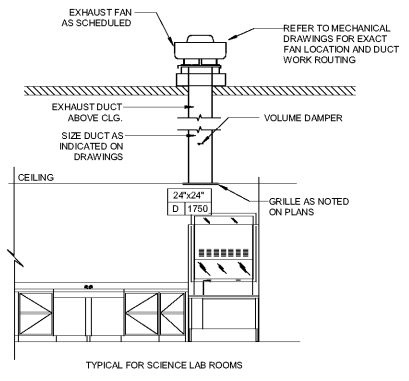


6 UPBLAST EXHAUST FAN DETAIL
SCALE: N.T.S.

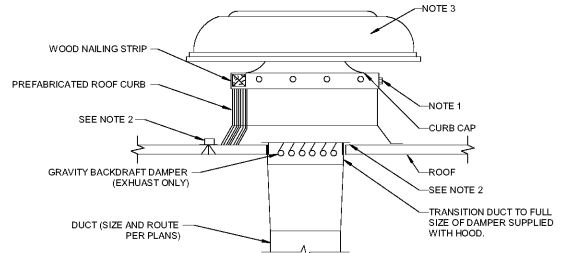


NOTES:
ALL ROOF PENETRATIONS TO BE SEALED IN ACCORDANCE WITH STANDARD TRADE PROCEDURES.

5 DOWNDRAFT EXHAUST FAN DETAIL
SCALE: N.T.S.

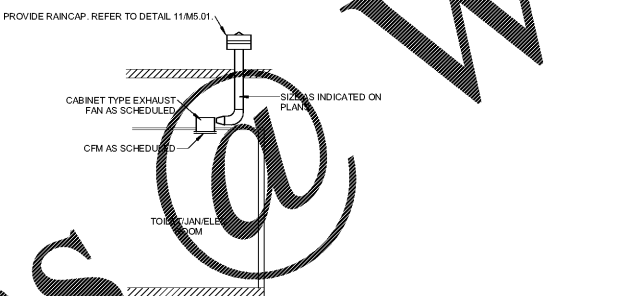


12 EXHAUST DETAIL - SCIENCE LAB
SCALE: N.T.S.

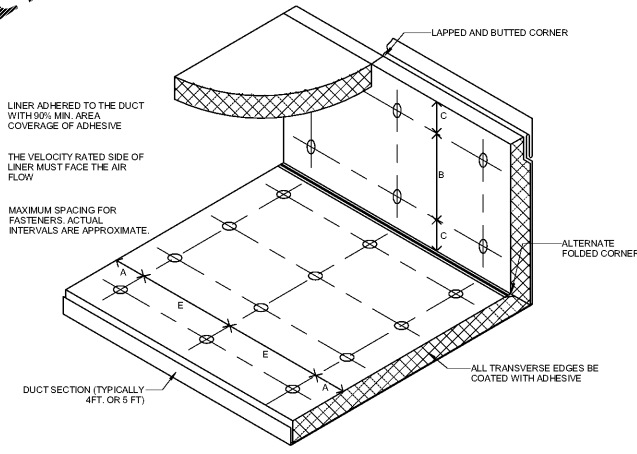


NOTE:
1. SECURE HOOD TO WOOD NAILING STRIP WITH 3/8\"/>

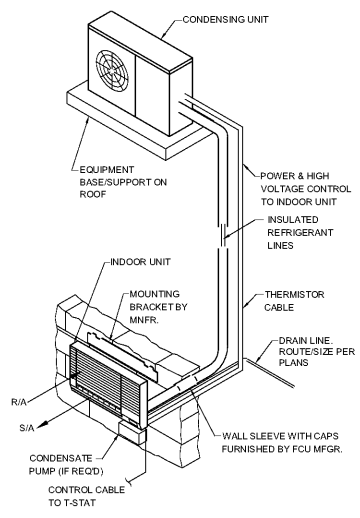
11 EXHAUST/OUTSIDE AIR INTAKE DETAIL
SCALE: N.T.S.



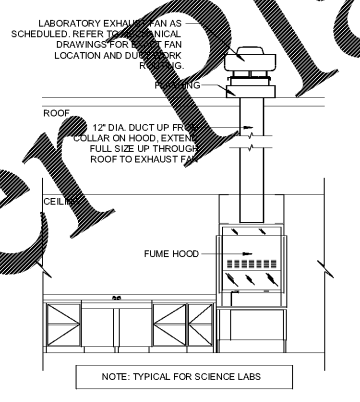
10 SINGLE ROOM EXHAUST SECTION
SCALE: N.T.S.



9 DUCT LINER DETAIL
SCALE: N.T.S.



14 TYPICAL DUCTLESS AC DETAIL
SCALE: N.T.S.



13 FUME HOOD EXHAUST DETAIL
SCALE: N.T.S.

1/15/2019 4:15:04 PM C:\Users\jvalde\Documents\17-2015_GA_SCIENCE BUILDING MEP\2016_includes\IED.mxd

Order Plans @ WWW.DLIVE.COM