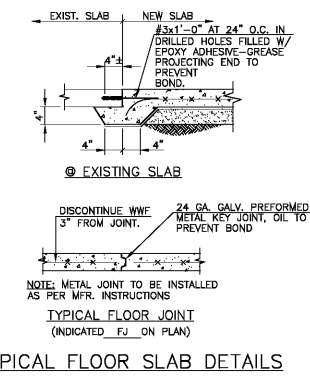
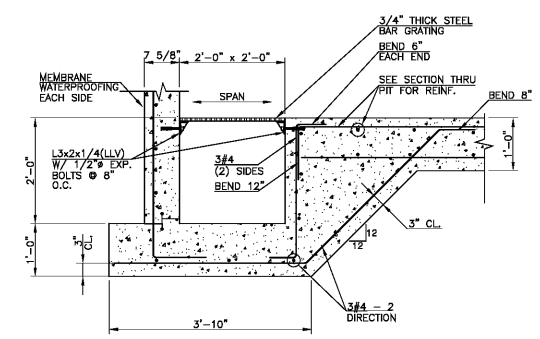


**CMU LINTEL SCHEDULE**

SPAN	HEIGHT	REINFORCING TOP BARS	BEARING EA. END
MAX. 3'-4"	8"	2#4	8"
MAX. 6'-0"	16"	2#6	16"
MAX. 8'-0"	16"	2#6	2#4 16"
MAX. 10'-0"	16"	2#7	2#6 16"
MAX. 13'-0"	24"	2#7	2#6 16"

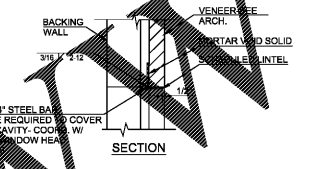
NOTES:  
(A) BEARING LENGTHS REFER TO CONCRETE MASONRY AND DO NOT INCLUDE APPLIED VENEERS.  
(B) WHERE CONCRETE MASONRY EXPOSED, 16" HIGH LINTELS SHALL BE CONSTRUCTED USING 8" DEEP CHANNEL BLOCK PLUS 8" DEEP SPANDREL BLOCK.  
(C) WHERE LINTEL BEARING IS ADJACENT TO A CMU CONTROL JOINT, OFFSET CONTROL JOINT OVER OPENING TO END OF BEARING. DISCONTINUE VERTICAL REINFORCING AT JAMB BELOW AND PROVIDE 2 LAYERS 30LB. ASPHALT FELT BOND BREAKER BELOW LINTEL BEARING.

- TYPICAL BOND BEAM DETAILS**
- BOND BEAM NOTES:  
1. ALL CMU WALLS (INTERIOR, EXTERIOR, BEARING OR NON-BEARING), 6" THICK (NOMINAL) OR GREATER, SHALL HAVE A BOND BEAM AT THE TOP OF THE WALL.  
2. WHERE WALLS EXCEED 10'-8", PROVIDE BOND BEAM AT MAXIMUM 8'-0" ON CENTER VERTICAL SPACING.  
3. BOND BEAMS SHALL BE PROVIDED AT ALL JOIST BEARING ELEVATIONS AND WHERE DETAILED AT OTHER SPECIAL LOCATIONS OR AS SHOWN ON ARCHITECTURAL DRAWINGS.  
4. LAP CONTINUOUS BOND BEAM REINFORCING 2'-6" AT SPLICES AND CONTROL JOINTS AS DETAILED HEREIN.  
5. PROVIDE 2#x30"x30" HORIZONTAL BARS AT CHANGES IN BOND BEAM DIRECTION.  
6. WHERE BOND BEAM INTERRUPTED BY OPENINGS, BEND REINFORCING 12" INTO REINFORCED JAMBS.



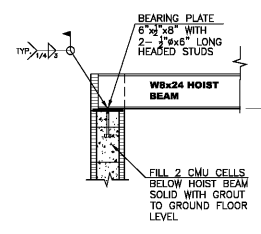
**SINGLE WYTHE BRICK LINTEL SCHEDULE**

OPENING WIDTH	SIZE	BEARING EA. END
MAX. 4'-0"	L3-1/2x3-1/2x5/16	8"
MAX. 6'-0"	L4x3 1/2x5/16 (LLV)	10"
MAX. 8'-0"	L6x3 1/2x5/16 (LLV)	12"
MAX. 10'-0"	L6x3 1/2x5/16 (LLV)	12"



TYPICAL DETAIL AT ELEVATOR SUMP PIT

TYPICAL FLOOR SLAB DETAILS



DETAIL AT ELEVATOR HOIST BEAM BEARING

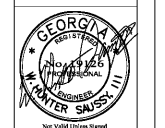
Order Plans @

JOHN A. TUTEN & ASSOCIATES ARCHITECTS  
4680 U.S. HIGHWAY 101 NORTH BRUNSWICK, GEORGIA 31525  
www.jatuten.com

GLYNN ACADEMY HIGH SCHOOL SCIENCE BLDG. (5015) MODERNIZATION  
1001 MANSFIELD ST. BRUNSWICK GA, 31520  
GLYNN COUNTY BOARD OF EDUCATION

CAPITAL OUTLAY PROJECT # TBID SYSTEM CODE: 663 SCHOOL CODE: 4752 FTE: 1793

TYPICAL DETAILS



ISSUED FOR: BID SET

WHS III DRAWN BY  
WHS III CHECKED BY  
WHS III APPROVED BY  
1/19/2019 PROJECT DATE  
1802 PROJECT NUMBER

SHEET NUMBER: S1.3

Copyright (c) 2019 All Rights Reserved.

**SAUSSY ENGINEERING**  
400 Johnny Mercer Boulevard • Suite 21  
P.O. Box 50597 • Savannah, Georgia 31410  
Phone: (912) 898-8255 • Fax: (912) 898-1882  
PROJECT # 1806: 81-3.dwg 1/19/2019 8:56 am