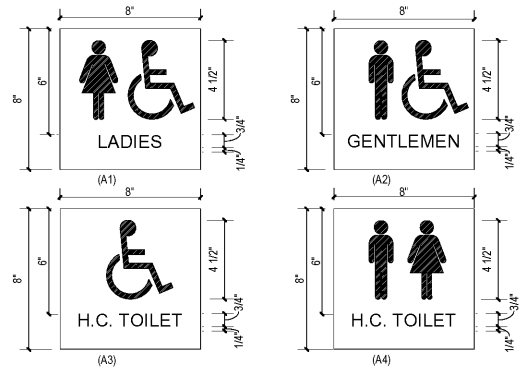
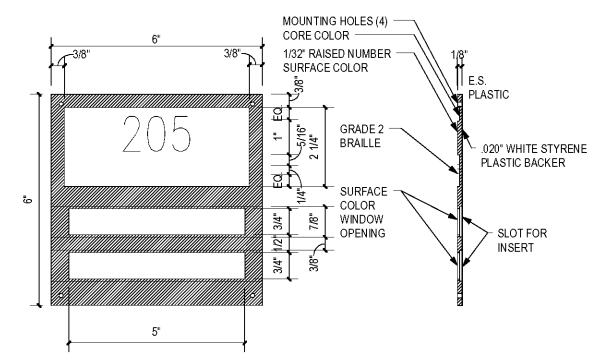


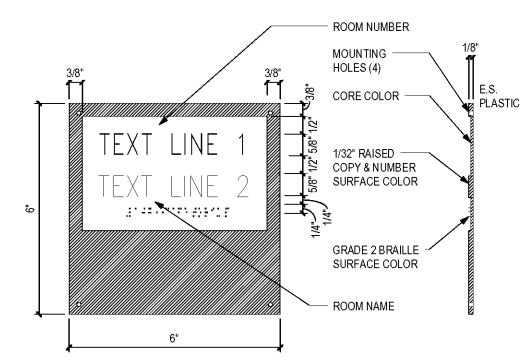
NO	REVISION / SUBMISSIONS	DATE



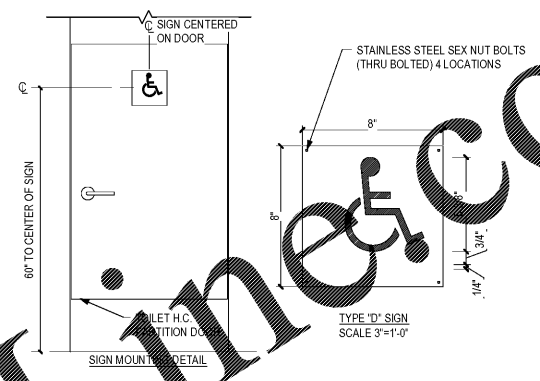
1 TYPE "A" SIGN DETAIL
A17.1 SCALE: 3" = 1'-0"



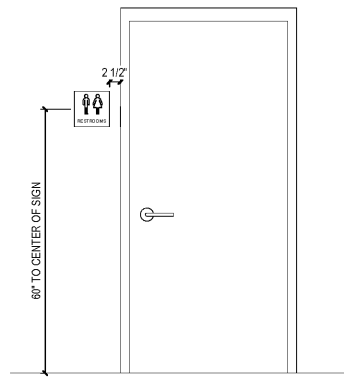
2 TYPE "B" SIGN DETAIL
A17.1 SCALE: 6" = 1'-0"



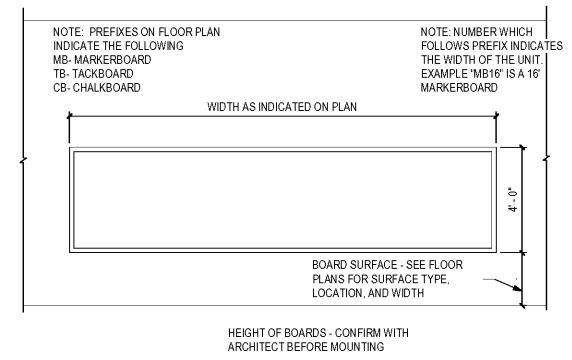
3 TYPE "C" SIGN DETAIL
A17.1 SCALE: 6" = 1'-0"



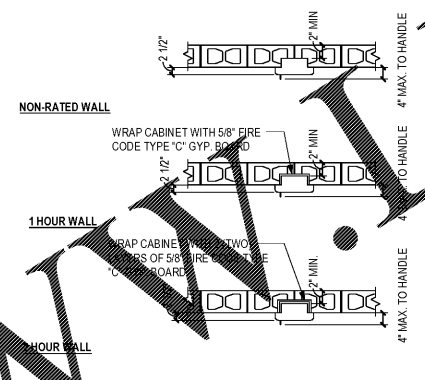
4 TYPE "D" SIGN DETAIL
A17.1 SCALE: 3/4" = 1'-0"



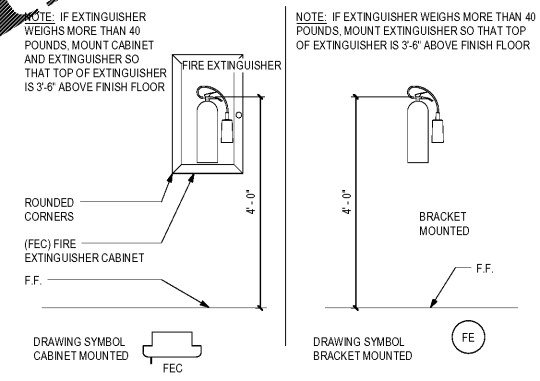
5 SIGN MOUNTING DETAIL
A17.1 SCALE: 3/4" = 1'-0"



6 MARKER, TACK, CHALK BOARD MOUNTING DETAIL
A17.1 SCALE: 3/8" = 1'-0"



7 SEMI RECESSED FIRE EXTINGUISHER CABINET
A17.1 SCALE: 1/2" = 1'-0"



8 FIRE EXTINGUISHER CABINET
A17.1 SCALE: 3/4" = 1'-0"

Order Plans @ WWW.DLINE.COM

JOHN A. TUTEN & ASSOCIATES
 ARCHITECTS
 4680 U.S. HIGHWAY 17
 BRUNSWICK, GEORGIA 31525
 www.jatuten.com

GLYNN ACADEMY HIGH SCHOOL
SCIENCE BLDG. (5015) MODERNIZATION
 1001 MANSFIELD ST. BRUNSWICK GA, 31520
 GLYNN COUNTY BOARD OF EDUCATION

CAPITAL OUTLAY PROJECT # TRD
 SYSTEM CODE: 663
 SCHOOL CODE: 4752
 FTE: 1796

STANDARD DETAILS

ISSUED FOR:
 BID SET

DRAWN BY:
 CHECKED BY:
 APPROVED BY:
 01/19/19
 PROJECT DATE:
 1802
 PROJECT NUMBER

SHEET NUMBER:
A17.1

Copyright (c) 2019
 All Rights Reserved

C:\Users\jamt\Documents\Revit\Local1\802_GA_Science Building\1802_Science Building.giml.rvt 1/18/2019 11:25:25