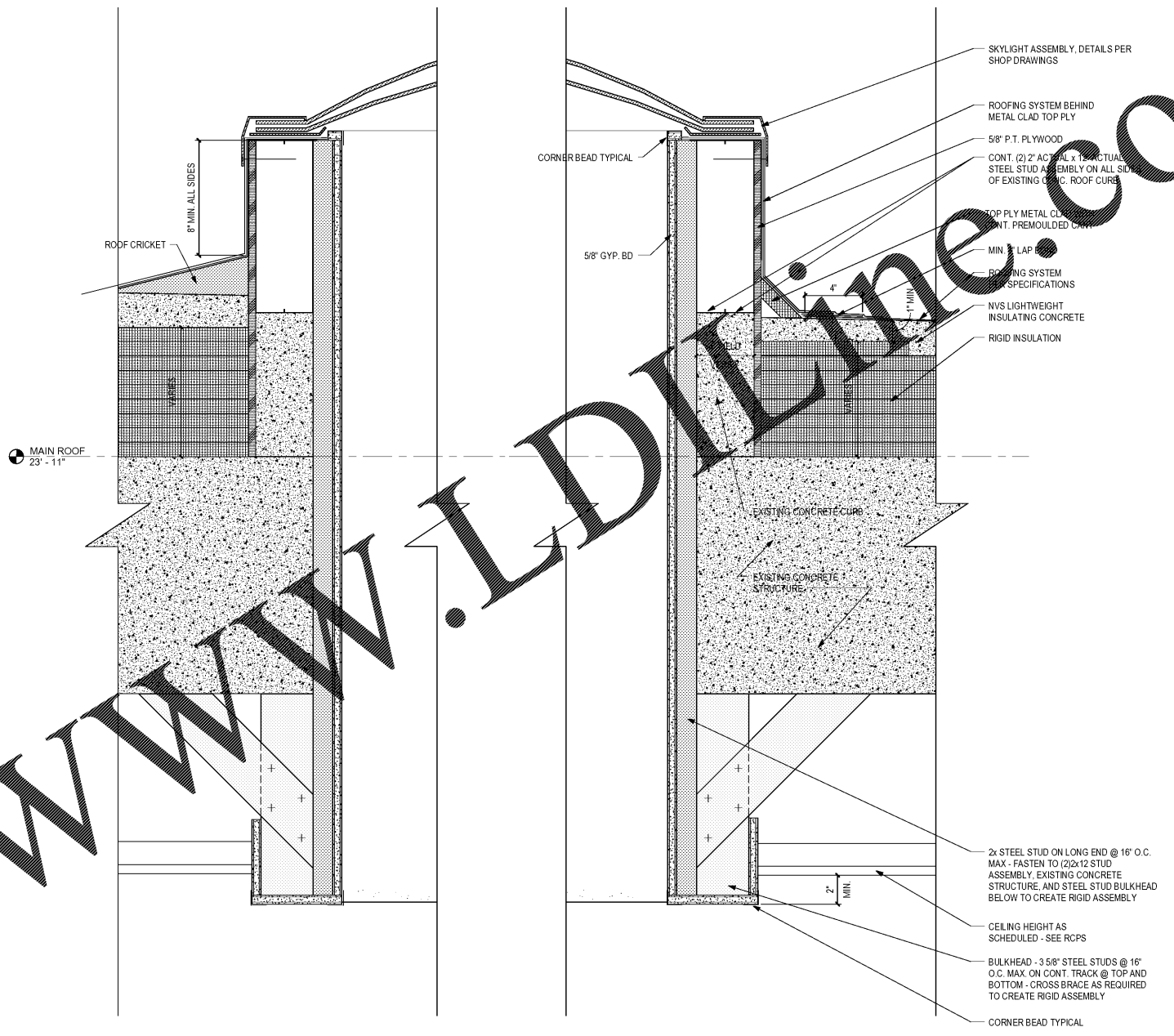
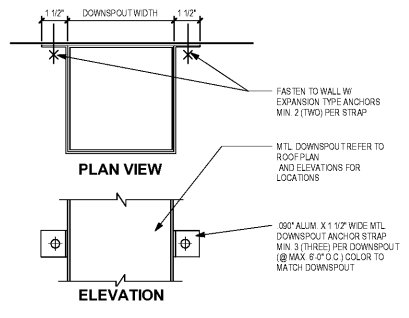


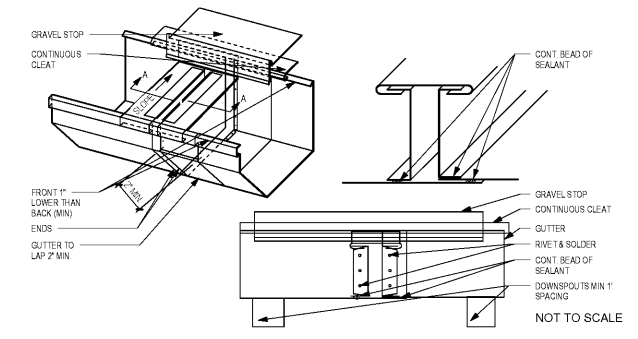
NO	REVISION / SUBMISSIONS	DATE



1 @ TYPICAL SKYLIGHT
SCALE: 3" = 1'-0"



3 DOWNSPOUT ANCHOR STRAP
SCALE: 3" = 1'-0"



2 TYPICAL GUTTER EXPANSION JOINT
SCALE: 1 1/2" = 1'-0"

JOHN A. TUTEN & ASSOCIATES ARCHITECTS
4680 U.S. HIGHWAY 17
BRUNSWICK, GEORGIA 31525
www.jatuten.com

GLYNN ACADEMY HIGH SCHOOL
SCIENCE BLDG. (5015) MODERNIZATION
1001 MANSFIELD ST. BRUNSWICK GA, 31520
GLYNN COUNTY BOARD OF EDUCATION

CAPITAL OUTLAY
PROJECT # TRD
SYSTEM CODE: 663
SCHOOL CODE: 4752
FTE: 1796

ROOFING DETAILS

ISSUED FOR:
BID SET

DRAWN BY: _____
CHECKED BY: _____
APPROVED BY: _____
01/19/19
PROJECT DATE

1802
PROJECT NUMBER

SHEET NUMBER: A14.2

Copyright (c) 2019
All Rights Reserved

Order Plans @

WWW.LDLINE.COM