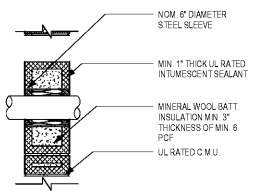


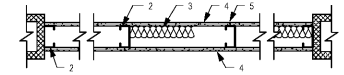
NO	REVISION / SUBMISSIONS	DATE



MAX PIPE DIA. IN.	SPACE IN.	FIRE RATING (H)
1	0.3/5	1 OR 2
4	0.1/4	1 OR 2
6	1/4-1/2	3 OR 4
12	3/8-3/8	1 OR 2

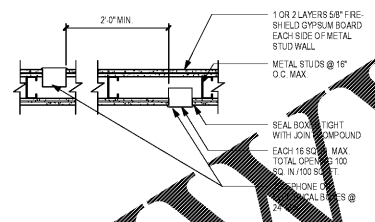
3 HOUR
UL# C-AJ-1081

Fire Resistance Ratings - ANSIUL 263XUL465Design No. U465
Nonbearing Wall Rating - 1 HR.



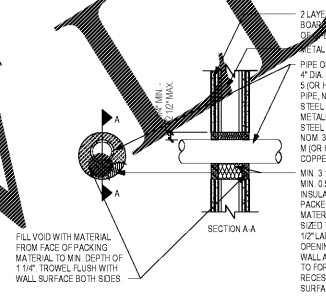
- Floor and Ceiling Runners - (not shown). Channel shaped runners, 3-5/8 in. wide (min), 1-1/4 in. legs, formed from min. No. 25 MSG galv steel attached to floor and ceiling with fasteners spaced 24 in. OC max.
- Steel Studs - Channel shaped, 3-5/8 in. wide (min), 1-1/4 in. legs, 3/8 in. lacedback return min. No. 25 MSG galv steel spaced 24 in. OC max.
- Batts and Blankets* - (Optional). Mineral wool or glass fiber batts partially or completely fill stud cavity. See Batts and Blankets (BZZ) category for names of Classified companies.
- Fiber, Spray-on** - As an alternate to Batts and Blankets (Item 3). Spray applied cellulose fiber is applied with water to completely fill the enclosed cavity in accordance with the application instructions supplied with the product. Nominal dry density of 3.0 lb/ft³. Alternate application method: 1/2\"/>

8 RATED WALL PENETRATION
A13.1 SCALE: 1" = 1'-0"



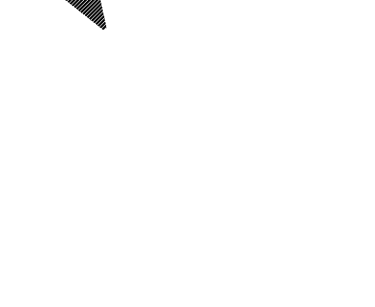
1 OR 2 HOUR
UL# WL1041

4 RATED WALL PENETRATION
A13.1 SCALE: 1" = 1'-0"



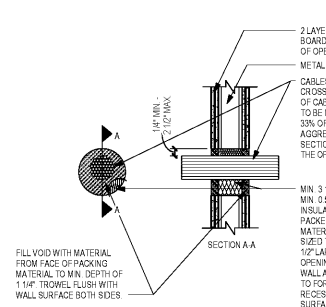
1 OR 2 HOUR
UL# WL1041

5 RATED WALL PENETRATIONS
A13.1 SCALE: 1" = 1'-0"



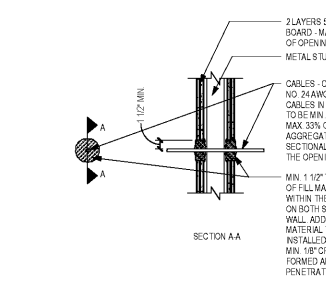
1 OR 2 HOUR
UL# WL3035

5 RATED WALL PENETRATION
A13.1 SCALE: 1" = 1'-0"



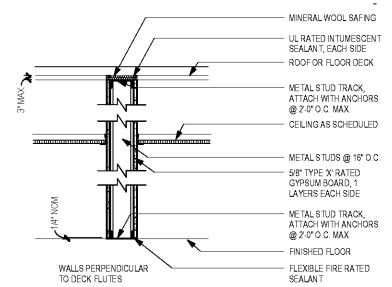
1 OR 2 HOUR
UL# WL3035

6 RATED WALL PENETRATION
A13.1 SCALE: 1" = 1'-0"



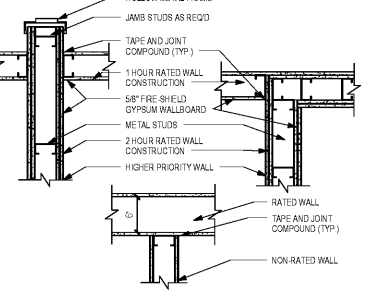
1 OR 2 HOUR
UL# WL3035

1 UL NO. U465
A13.1 SCALE: 1" = 1'-0"



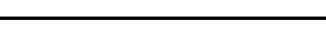
1 HOUR
UL# U465

2 RATED WALL
A13.1 SCALE: 1" = 1'-0"



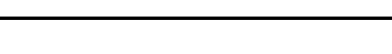
1 HOUR
UL# U465

7 RATED WALL PENETRATION
A13.1 SCALE: 1" = 1'-0"



1 HOUR
UL# U465

3 RATED WALL INTERSECTIONS
A13.1 SCALE: 1" = 1'-0"



1 HOUR
UL# U465

Order Plans @

JOHN A. TUTEN & ASSOCIATES
ARCHITECTS
4680 U.S. HIGHWAY 17
BRUNSWICK, GEORGIA 31525
www.plantations.com

GLYNN ACADEMY HIGH SCHOOL
SCIENCE BLDG. (501.5) MODERNIZATION
1001 MANSFIELD ST. BRUNSWICK GA, 31520
GLYNN COUNTY BOARD OF EDUCATION

CAPITAL OUTLAY
PROJECT # TRD
SYSTEM CODE: 663
SYSTEM CODE: 4752
FTE: 1793

ISSUED FOR:
BID SET

DRAWN BY:
CHECKED BY:
APPROVED BY:
01/19/19
PROJECT DATE:
1802
PROJECT NUMBER:

SHEET NUMBER:
A13.1

Copyright (c) 2019
All Rights Reserved