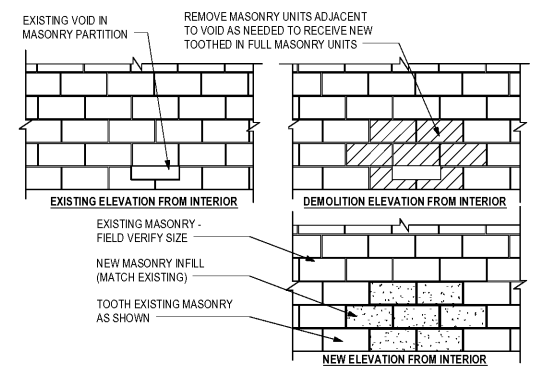
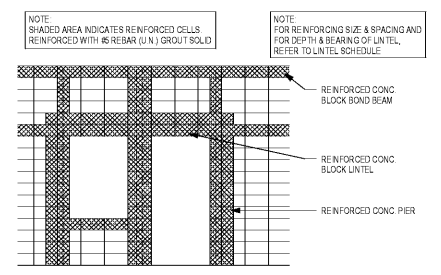


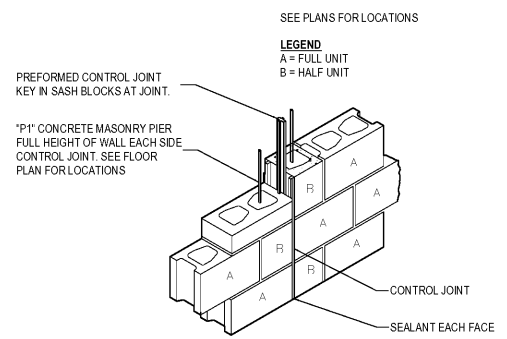
NO	REVISION / SUBMISSIONS	DATE



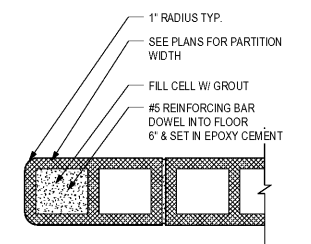
1 CMU AND BRICK - PATCHING DETAIL
A11.1 SCALE: 1/2" = 1'-0"



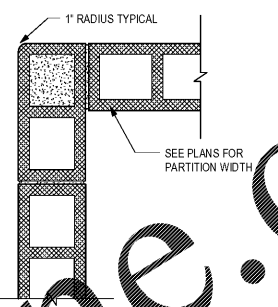
2 TYP. OPENINGS IN CMU
A11.1 SCALE: 1/4" = 1'-0"



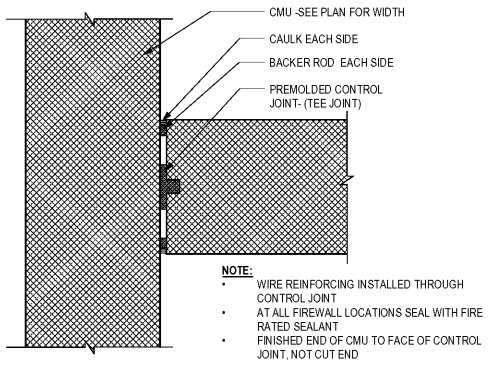
3 CONTROL JOINT DETAIL
A11.1 SCALE: 3/4" = 1'-0"



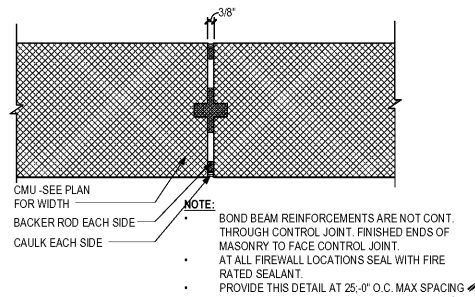
4 CMU END WALL DETAIL
A11.1 SCALE: 1 1/2" = 1'-0"



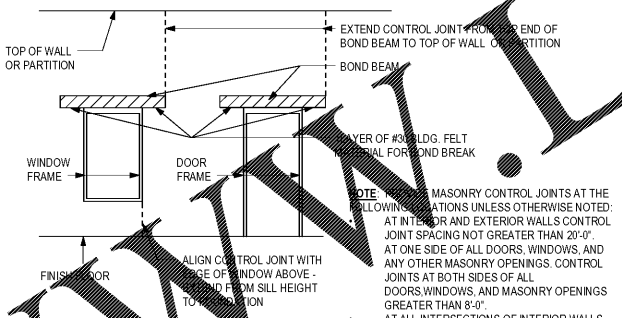
5 CMU CORNER DETAIL
A11.1 SCALE: 1 1/2" = 1'-0"



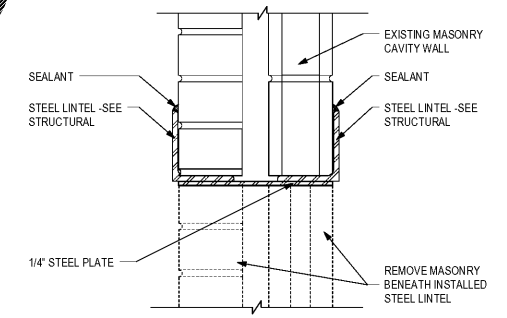
6 CMU INTERSECTION CONTROL JOINT
A11.1 SCALE: 3" = 1'-0"



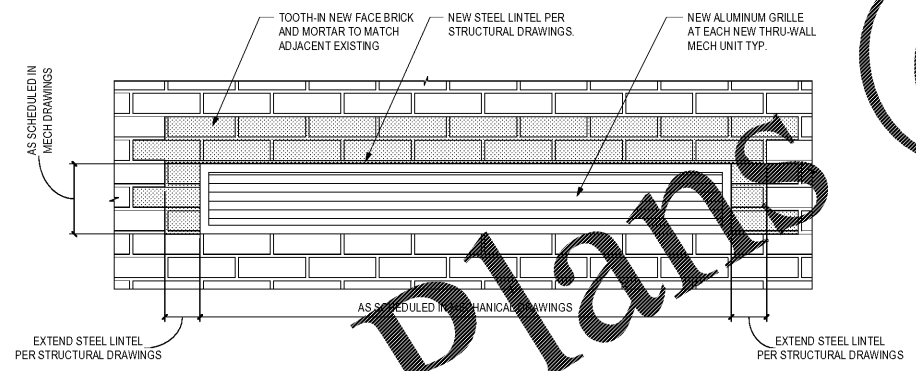
7 CMU CONTROL JOINT
A11.1 SCALE: 3" = 1'-0"



8 CMU CONTROL JOINT AT DOORS & WINDOWS
A11.1 SCALE: 1/2" = 1'-0"




9 STEEL LINTEL IN EXISTING EXTERIOR WALL
A11.1 SCALE: 3" = 1'-0"



10 NEW THRU-WALL ALUM. GRILLE TYP. DETAIL
A11.1 SCALE: 1 1/2" = 1'-0"

1/18/2019 11:25:11 C:\Users\jgm\Documents\Revit\Local1802\GA Science Building1802 Science Building.rvt

Order Plans




JOHN A. TUTEN & ASSOCIATES
ARCHITECTS
4680 U.S. HIGHWAY 17 NORTH
BRUNSWICK, GEORGIA 31525
www.jatuten.com

GLYNN ACADEMY HIGH SCHOOL
SCIENCE BLDG. (5015) MODERNIZATION
1001 MANSFIELD ST. BRUNSWICK GA, 31520
GLYNN COUNTY BOARD OF EDUCATION

CAPITAL OUTLAY PROJECT # TRD
SYSTEM CODE: 663
SCHOOL CODE: 6752
FTE: 1796

MASONRY STANDARD DETAILS



ISSUED FOR:
BID SET

DRAWN BY:
CHECKED BY:
APPROVED BY:
01/19/19
PROJECT DATE:
1802
PROJECT NUMBER:

SHEET NUMBER:
A11.1

Copyright (c) 2019 All Rights Reserved